

LPD

CANISTER LOAD CELL



**General Sensor
Model LPD**

**The General Sensor LPD meets the
OIML and HB44 Class III Standards.**

✓ **Environmentally Sealed.**

✓ **Low Profile Disk Load Cell.**

✓ **High Grade Tool Steel.**

✓ **Capacities from 5, 10, 25, 50,
and 100K .**

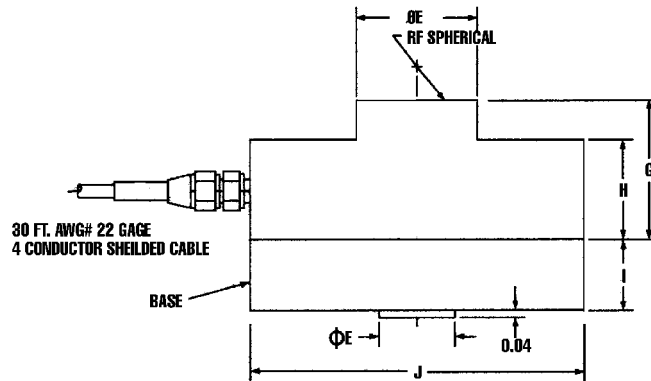
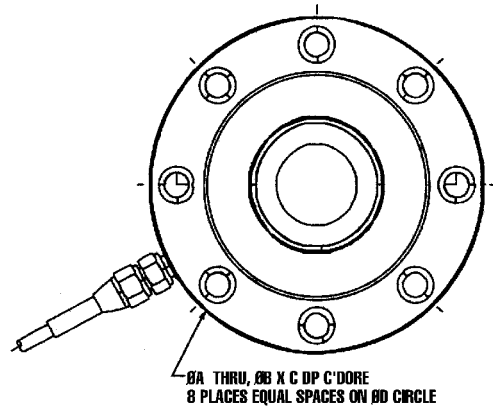


Totalcomp[®] **Scales & Components**

99 Reagent Lane • Fair Lawn, New Jersey 07410

Fax: 201-797-2287 • Toll Free Fax: 888-797-2288 • Phone: 201-797-2718 • Toll Free Phone: 800-631-0347

Email: sales@totalcomp.com • Website: www.totalcomp.com



Model LPD

LPD LOW PROFILE CANISTER DISC LOAD CELL

The *General Sensor* LPD Series Canister Disc Load Cell is interchangeable with Interface 1211, Celtron LCD and Emery Winslow 1211 Totalizer. LPD Series load cells are built to meet OIML and HB44 Class III Standards. They are constructed from high grade Tool Steel for washability and protection from harsh environments.

Part Number	Capacity	Weight	A	B	C	D	E	F	G	H	I	J
LPD-5K	5,000 lb.	7 lb.	0.283	0.406	0.3	3.5	1.30	0.625	1.75	1.25	0.75	4.12
LPD-10K	10,000 lb.	7 lb.	0.283	0.406	0.3	3.5	1.30	0.625	1.75	1.25	0.75	4.12
LPD-25K	25,000 lb.	12 lb.	0.343	0.508	0.4	4.0	1.60	0.875	2.12	1.87	0.94	4.75
LPD-50K	50,000 lb.	12 lb.	0.343	0.508	0.4	4.0	1.60	0.875	2.12	1.87	0.94	4.75
LPD-100K	100,000 lb.	20 lb.	0.406	0.626	0.4	4.6	2.00	0.875	2.25	2.00	1.14	5.50

Performance

Full Scale Output
4.00 mV/V
Combined Error
±0.02% FS
Nonlinearity
±0.03% FS
Hysteresis
±0.05%
Creep
±0.02% FS in 60 min
Non-Repeatability
±0.02% FS
Zero Balance
±2.0% FS

Overload, Safe

150% FS
Overload, Ultimate
300% FS

Electrical

Bridge Resistance
Input 385 ohms
Output 350 ohms
Excitation Voltage
10VDC (20VDC Max)
Insulation Resistance
5KMohms@50VDC

Temperature

Compensated Range
-10°C to +40°C
Temperature Operating Range
-40°C to +80°C
Effect on Zero Balance
0.0020% FS/deg C
Effect on FS Output
0.0020% FS/deg C

Mechanical

Material
Tool Steel
Finish
Electroless Nickel Plate
Sealing
IP67

Wiring

Cable Length & Type
20 foot, 4 conductor
Cable Color Code
+ Excitation Red
- Excitation Black
+ Output Green
- Output White
Shield Yellow

TOTALCOMP LIMITED WARRANTY

Totalcomp warrants this product to be free of defects in materials and/or workmanship and suitable for the purpose(s) intended as outlined on this sheet. This warranty is effective and shall cover the purchaser for one year from the date of shipment from our plant. If this product is found to be defective by our inspection in accordance with the above listed criteria, we will replace or repair it at our expense. For warranty service, please obtain a return authorization number from us and return the item, shipping prepaid, with a written description of the problem. We will respond promptly with the results of our evaluation.



Totalcomp®

Scales & Components

99 Reagent Lane
Fair Lawn, NJ 07410
Fax (201) 797-2287
Toll Free Fax (888) 797-2288
Phone (201) 797-2718
Toll Free Phone (800) 631-0347
Email sales@totalcomp.com
Website www.totalcomp.com