

## High Capacity Compression Load Cell



### FEATURES

- Capacities 5 - 50 ton
- Stainless steel housing
- Surge arrestors fitted
- Simple to install
- 0.02% total error
- 6 wire sense circuit
- Output tolerance 0.1%

### OPTIONAL FEATURE

- EEx ia IIC T4 - hazardous area approval
- Model 121 with anti rotation groove

### DESCRIPTION

Model 120 is a high capacity truck scale and silo load cell which is supplied complete with its own unique rocker mounting components.

Suitable for all heavy duty weighing applications the 120 gives the user high accuracy and low installation cost.

The 120 has a stainless steel housing to protect against corrosion. The alloy steel compression element is nickel plated, and

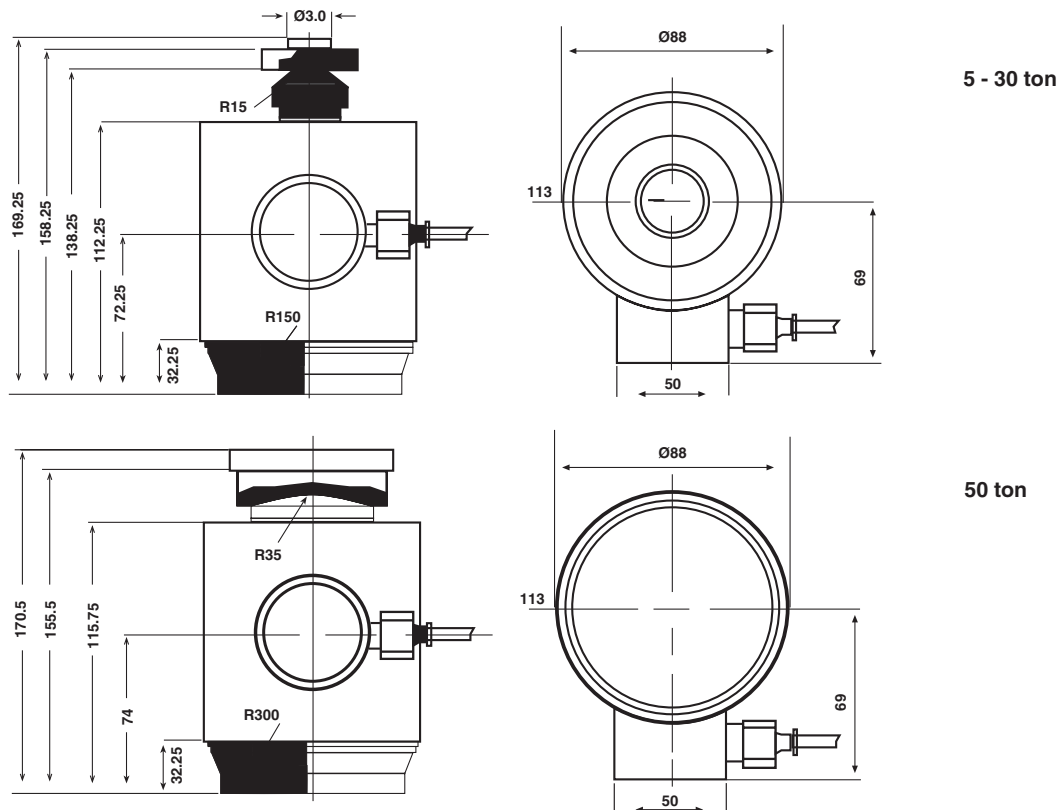
the rocker mounting accessories are zinc plated alloy steel.

The two additional sense wires feed back the voltage reaching the load cell. Complete compensation of change in lead resistance due to temperature change and/or cable extension, is achieved by feeding this voltage into the appropriate electronics.

### APPLICATIONS

- Truck weighbridges
- Silo and hopper weighing
- Train "rail" scales
- Process weighing

### OUTLINE DIMENSIONS in millimeters



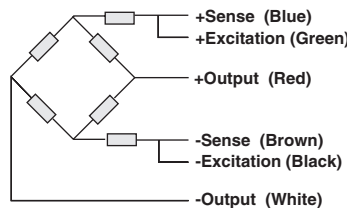


**SPECIFICATIONS**

PARAMETER	VALUE		UNIT
Rated capacity-R.C. ( $E_{max}$ )	5, 10, 20, 30, 50		ton
NTEP/OIML Accuracy class	Non-Approved*		
Maximum no. of intervals (n)	1000	3000	
$Y = E_{max}/V_{min}$	2000	6000	
Rated output-R.O.	1.5		mV/V
Rated output tolerance	0.15		±mV/V
Zero balance	0.15		±mV/V
Zero Return, 30 min.	0.0500	0.0200	±% of applied load
Total Error (per OIML R60)	0.0500	0.0200	±% of rated output
Temperature effect on zero	0.0100	0.0040	±% of rated output/°C
Temperature effect on output	0.0050	0.0040	±% of load/°C
Temperature range, compensated	-10 to +40		°C
Temperature range, safe	-20 to +70		°C
Maximum safe central overload	150		% of R.C.
Ultimate central overload	300		% of R.C.
Excitation, recommended	10		Vdc or Vac rms
Excitation, maximum	24		Vdc or Vac rms
Input impedance	670±15		Ohms
Output impedance	605±5		Ohms
Insulation resistance	>2000		Mega-Ohms
Cable length	15		m
Cable type	6 wire, braided, Polyurethane, dual floating screen		Standard
Construction	Stainless steel housing, plated alloy steel element		
Environmental protection	IP67		

\* Typical 80% utilization

**Wiring Schematic Diagram**



**VISHAY TRANSDUCERS (VT) SALES OFFICES**

**VT Americas**  
 City of Industry, CA  
 PH: +1-626-858-8899  
 FAX: +1-626-332-3418  
 vt.us@vishaymg.com

**VT Netherlands**  
 Breda  
 PH: +31-76-548-0700  
 FAX: +31-76-541-2854  
 vt.nl@vishaymg.com

**VMG UK**  
 Basingstoke  
 PH: +44-125-646-2131  
 FAX: +44-125-647-1441  
 vt.uk@vishaymg.com

**VMG Israel**  
 Netanya  
 PH: +972-9-863-8888  
 FAX: +972-9-863-8800  
 vt.il@vishaymg.com

**VMG Germany**  
 Heilbronn  
 PH: +49-7131-3901-260  
 FAX: +49-7131-3901-2666  
 vt.de@vishaymg.com

**VT China**  
 Tianjin  
 PH: +86-22-2835-3503  
 FAX: +86-22-2835-7261  
 vt.prc@vishaymg.com

**VMG France**  
 Chartres  
 PH: +33-2-37-33-31-20  
 FAX: +33-2-37-33-31-29  
 vt.fr@vishaymg.com

**VT Taiwan\***  
 Taipei  
 PH: +886-2-2696-0168  
 FAX: +886-2-2696-4965  
 vt.roc@vishaymg.com  
 \*Asia except China



## Notice

Specifications of the products displayed herein are subject to change without notice. Vishay Intertechnology, Inc., or anyone on its behalf, assumes no responsibility or liability for any errors or inaccuracies.

Information contained herein is intended to provide a product description only. No license, express or implied, by estoppel or otherwise, to any intellectual property rights is granted by this document. Except as provided in Vishay's terms and conditions of sale for such products, Vishay assumes no liability whatsoever, and disclaims any express or implied warranty, relating to sale and/or use of Vishay products including liability or warranties relating to fitness for a particular purpose, merchantability, or infringement of any patent, copyright, or other intellectual property right.

The products shown herein are not designed for use in medical, life-saving, or life-sustaining applications. Customers using or selling these products for use in such applications do so at their own risk and agree to fully indemnify Vishay for any damages resulting from such improper use or sale.