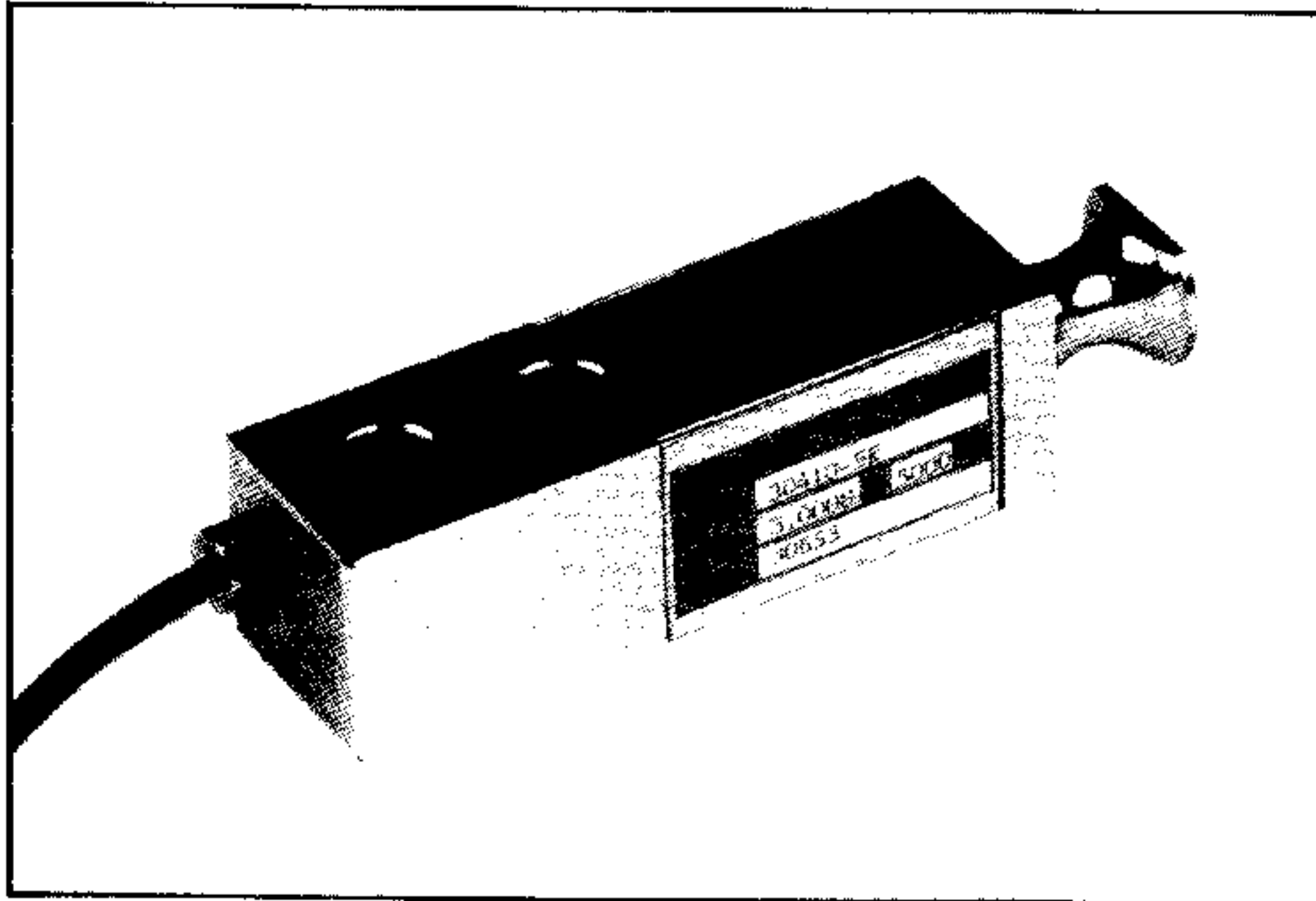


# ARTECH INDUSTRIES INC.

1966 Keats Drive, Riverside, CA 92501  
(909) 276-3331  
(800) 654-8181 out of CA  
Fax: (909) 276-4556



## MODEL 30410 RECTANGULAR SHEAR LINK BEAM

### FEATURES:

- 1K to 10K pounds capacities
- Flexible link - loading design
- Complete environmental protection
- Exceed NIST H-44 requirements
- Stainless Steel version available
- Low cost
- Factory Mutual (F.M.) Approved †

### DESCRIPTION:

Model 30410, a rectangular shear link beam, is a versatile and low cost load cell for link loading. The moveable linkage helps reduce excessive side loads and reading errors. Its high alloy tool steel construction makes the cell durable for use in tank, hopper and platform scales. The cell is environmentally protected with waterproof seal and is nickel/chrome plated to assure resistance against corrosion. The load cell is supplied with an integral 20 foot cable.

### PERFORMANCE SPECIFICATIONS

<b>Standard Capacities (lbs.):</b>	1K, 2K, 2.5K, 4K, 5K, 5KLE, 10K
<b>Excitation Voltage:</b>	10VDC - Maximum 15VDC
<b>Rated Output:</b>	3.0 mv/v $\pm$ .25%
<b>Non-Linearity:</b>	< 0.03% FSO (Full Scale Output)
<b>Hysteresis:</b>	< 0.02% FSO
<b>Non-Repeatability:</b>	< 0.01% FSO
<b>Zero Balance:</b>	$\pm$ 1.0% FSO
<b>Bridge Resistance:</b>	350 $\pm$ 3.5 ohms
<b>Safe Overload:</b>	150% of Rated Capacity
<b>Temperature:</b>	
<b>Compensated Range:</b>	0-150 deg. F
<b>Effect on Output:</b>	< 0.0008% FSO/deg. F
<b>Effect on Zero:</b>	< 0.0011% FSO/deg. F
<b>Finish:</b>	Electroless Nickel/Chrome Plated



CAPACITY LBS.	A	B	C	D	E	F	G	H	I	J	K
1K - 5K	5.12	1.25	1.25	.53	.60	1.00	3.00	.55	1.00	.44	.70
5KLE - 10K	6.75	1.50	1.50	.78	.75	1.50	3.75	.85	1.20	.56	.90

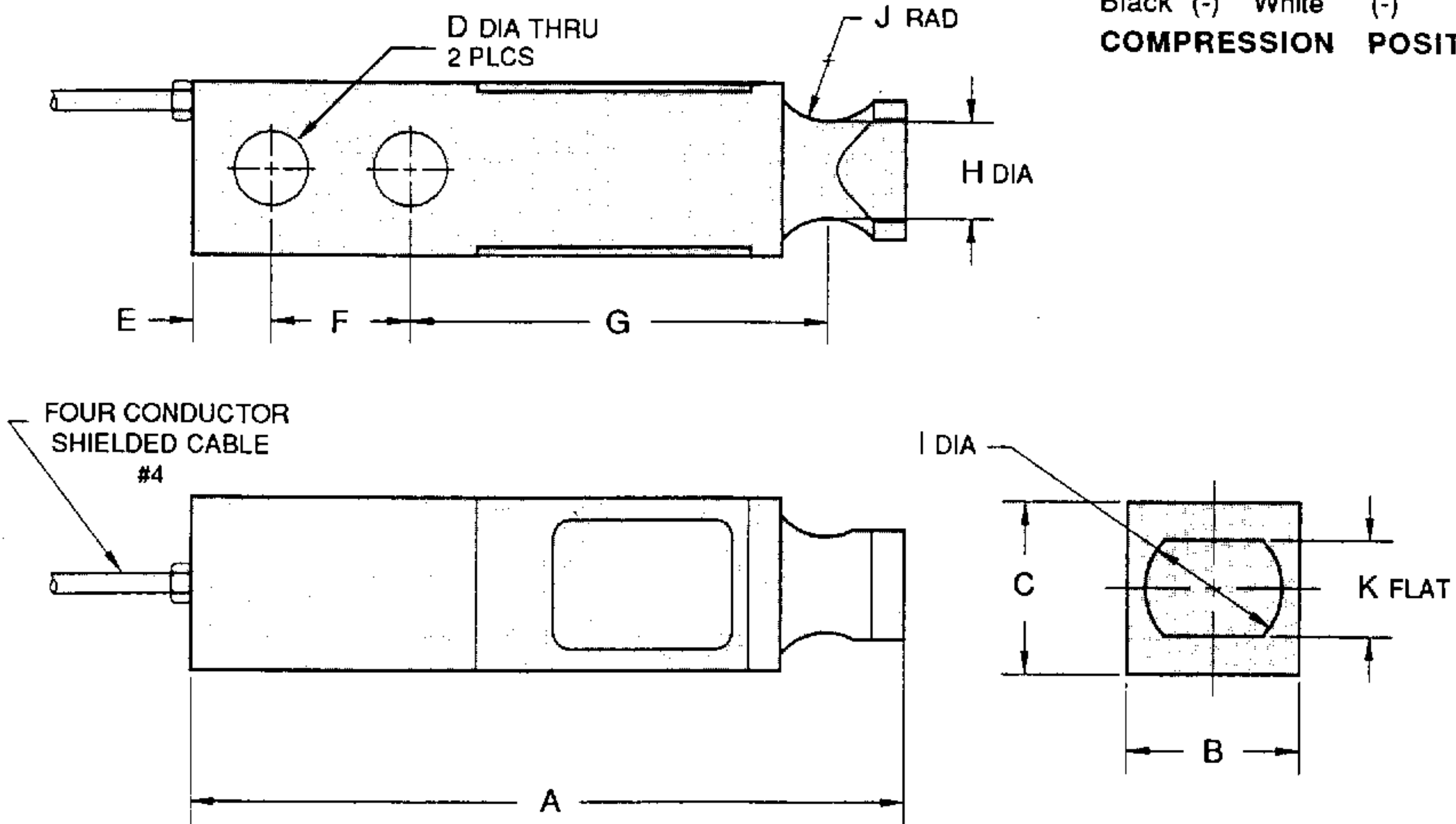
### ELECTRICAL TERMINATION

Input      Output      Shield

Red (+)    Green (+)

Black (-)    White (-)

**COMPRESSION POSITIVE**



**NOTE:**

- #1. STD WIRING
- #2. DIMENSIONS SHOWN ARE IN INCHES
- #3. MATERIAL : TOOL STEEL - NICKEL/CHROME PLATE
- #4. 20 FEET CABLE LENGTH, PVC JACKET  
OTHER LENGTHS AVAILABLE PER SPECIAL ORDER

† Factory Mutual Systems approved as intrinsically safe when installed per F.M. approved installation drawing. Contact ARTECH sales department for details.

### ORDER INFORMATION:

ARTECH is dedicated to maintaining adequate inventories of its Load Cells to provide the best service in the industry.

Order by the model number and indicate the capacity required.

Custom services such as matched load cell outputs, special threading and custom calibrations are available on an optional basis at an extra cost. **LET US KNOW WHAT YOU NEED...WE LISTEN!**

*Represented by:*



1966 Keats Drive, Riverside, CA 92501  
 (909) 276-3331  
 (800) 654-8181 out of CA  
 Fax: (909) 276-4556

**QUALITY • PERFORMANCE • SERVICE**

**"A PREFERRED NAME IN LOAD CELL TECHNOLOGY"**