

## 535AHM2

### Alloy Steel

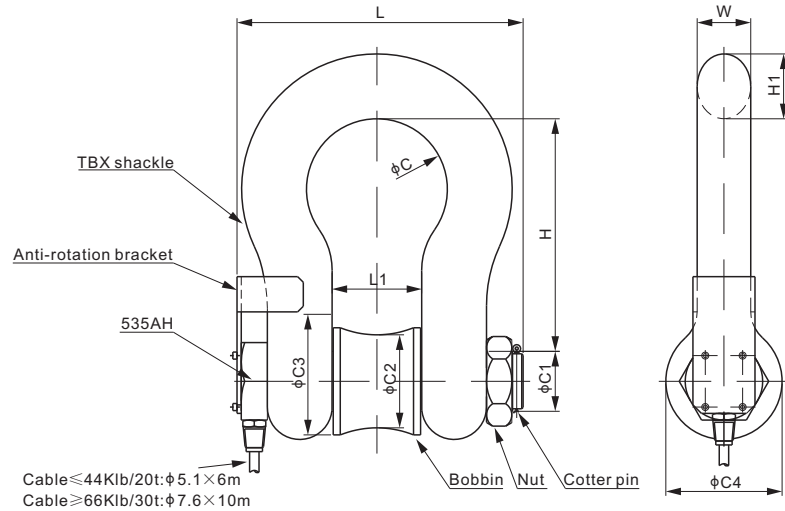


Load Cell Certifications:



#### Features:

- Load cell and shackle integration
- High tensile anchor shackle meets ISO2415-2004 requirements
- Bobbin design provides high accuracy and repeatability



#### DIMENSIONS

LOAD CELL CAPACITY	C	C1	C2	C3	C4	H	H1	L	L1	W
t/mm										
5	43	20	30	34	38	60.5	17.5	101	27	16
10	58.5	30	45	50	60.5	95	27	146	43	25.5
15	74	33	50	55	68.5	108	32	160	46	29.5
20	92	39	58	65	84	133.5	38	186	57	36
30	98.5	42	63	70	92	146	41	205	60.5	39
50	146	60	90	100	122	197	61	295	82.5	53
100	200	85	128	142	165	330	92	436	127	76

#### SPECIFICATIONS

<b>Full Scale Output</b>	2.5 mV/V ± 5%	<b>Recommended Excitation</b>	10V (15V Maximum)
<b>Zero Balance</b>	< ± 0.02 mV/V	<b>Insulation Resistance</b>	> 2 [ 50V DC ] GΩ
<b>Non-linearity</b>	< ± 1%	<b>Nominal Temperature Range</b>	-10°C to 50°C / 14°F to 122°F
<b>Repeatability</b>	< ± 0.5%	<b>Safe Overload</b>	150% of full scale
<b>Hysteresis Error</b>	< ± 1%	<b>Breaking Overload</b>	300% of full scale
<b>Creep in 30 min.</b>	< ± 0.5%	<b>Seal Type / IP Rating</b>	Environmentally Sealed / IP67
<b>Input Resistance</b>	350Ω ± 10	<b>Cable Color Code</b>	Exc+ Red      Exc- Black
<b>Output Resistance</b>	350Ω ± 3		Sig+ Green    Sig- White
<b>Element Material</b>	Alloy steel		Shield Bare

#### PART NUMBER

Load Cell Capacity	Part No.	Weight (kg) Approx.
5t.....	535AHM2-5t.....	1.2
10t.....	535AHM2-10t.....	3.6
15t.....	535AHM2-15t.....	5.4
20t.....	535AHM2-20t.....	9.2
30t.....	535AHM2-30t.....	7.4
50t.....	535AHM2-50t.....	17.0
100t.....	535AHM2-100t.....	63.0