

Stainless Steel, Welded Seal S-Beam Load Cell



FEATURES

- Rated capacities of 500 to 20,000 pounds
- Stainless steel, welded seal construction
- Integral loading brackets
- Compatible with TCM tension mounting hardware
- Designed for single or multiple load cell applications
- Trade certified for NTEP Class IIIL: 10000d and III: 5000d
- *Sensorgage*™ sealed to IP68 standards
- Factory Mutual System Approved for Classes I, II, III; Divisions 1 and 2; Groups A through G. Also, non-incendive ratings (No barriers!).

OPTIONAL FEATURE

- Mounting and loading accessory hardware available

DESCRIPTION

Model 60063 is a stainless steel S-Type load cell. Its welded sealing combined with high accuracy, make this load cell ideally suited for a wide range of applications of process weighing and force measurement.

Approvals included NTEP III 5000d single and NTEP IIIL10000d multiple. Also available are versions approved for hazardous areas - FM I, II, III Division 1.

APPLICATIONS

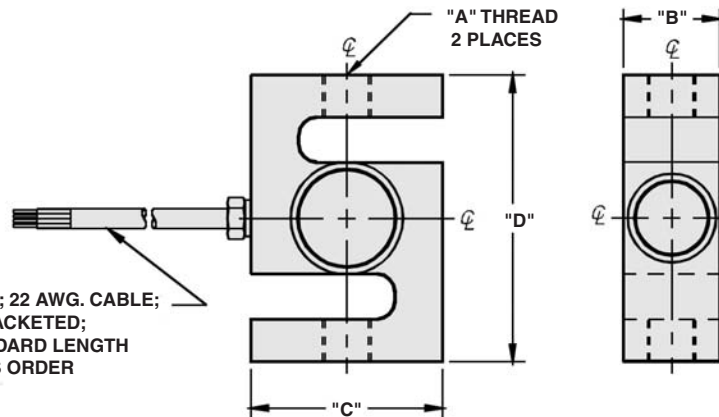
- Hostile environments: Food and beverage processing
Chemical and plastics processing
Pharmaceutical and biomedical
- Bin, hopper and belt conveyor scales
- Level and inventory monitoring
- Tension and compression measurements

OUTLINE DIMENSIONS in inches

Wiring

- | | |
|--------------|-------|
| + Excitation | Red |
| - Excitation | Black |
| + Output | Green |
| - Output | White |

4 CONDUCTOR; 22 AWG. CABLE; SHIELDED & JACKETED; 20 FOOT STANDARD LENGTH OR PER SALES ORDER



CAPACITY	A	B	C	D	DEFLECTION	WEIGHT
500 - 3K	1/2-20	1.00	2.00	3.00	0.010	3.0
5K - 10K	3/4-16	1.00	3.50	4.75	0.010	5.00
15K	1-14	1.25	4.00	5.50	0.010	8.00
20K	1 1/4-12	2.00	5.00	7.00	0.010	19.00

Capacities are in pounds. Deflection is ± 10%. Certified drawings are available.

**SPECIFICATIONS**

PARAMETER	VALUE			UNIT
Rated capacity-R.C. (E_{max})	500, 750, 1K, 1.5K, 2K, 2.5K, 3K, 5K, 10K, 15K, 20K*			lbs
NTEP/OIML Accuracy class	NTEP III	NTEP IIII	Standard	
Maximum no. of intervals (n)	5000 multiple	10000 multiple		
$Y = E_{max}/V_{min}$	See NTEP cert. 98-019			Maximum available
Rated output-R.O.	2.0			mV/V
Rated output tolerance	+25%...-10%			% mV/V
Zero balance	1.0			±% FSO
Combined error	0.02	0.02	0.03	±% FSO
Non-repeatability	0.01	0.01	0.015	±% FSO
Creep error (30 minutes)	0.025	0.03	0.03	±% FSO
Temperature effect on zero	0.0010	0.0010	0.0015	±% FSO/°F
Temperature effect on output	0.0008	0.0008	0.0008	±% of load/°F
Compensated temperature range	14 to 104 (-10 to 40)			°F (°C)
Operating temperature range	0 to 150 (-18 to 65)			°F (°C)
Storage temperature range	-60 to 185 (-50 to 85)			°F (°C)
Maximum safe central overload	150			% of R.C.
Ultimate central overload	300			% of R.C.
Excitation, recommended	10			Vdc or Vac rms
Excitation, maximum	15			Vdc or Vac rms
Input impedance	349 - 450			Ω
Output impedance	349 - 355			Ω
Insulation resistance at 50VDC	>1000			MΩ
Material	Stainless steel			
Environmental protection	IP68			

Note: * NTEP approval 500-5Klbs only.
FSO - Full Scale Output

All specifications subject to change without notice.

VISHAY TRANSDUCERS (VT) SALES OFFICES

VT Americas
City of Industry, CA
PH: +1-626-858-8899
FAX: +1-626-332-3418
vt.us@vishaymg.com

VT Netherlands
Breda
PH: +31-76-548-0700
FAX: +31-76-541-2854
vt.nl@vishaymg.com

VMG UK
Basingstoke
PH: +44-125-646-2131
FAX: +44-125-647-1441
vt.uk@vishaymg.com

VMG Israel
Netanya
PH: +972-9-863-8888
FAX: +972-9-863-8800
vt.il@vishaymg.com

VMG Germany
Heilbronn
PH: +49-7131-3901-260
FAX: +49-7131-3901-2666
vt.de@vishaymg.com

VT China
Tianjin
PH: +86-22-2835-3503
FAX: +86-22-2835-7261
vt.prc@vishaymg.com

VMG France
Chartres
PH: +33-2-37-33-31-20
FAX: +33-2-37-33-31-29
vt.fr@vishaymg.com

VT Taiwan*
Taipei
PH: +886-2-2696-0168
FAX: +886-2-2696-4965
vt.roc@vishaymg.com
*Asia except China



Notice

Specifications of the products displayed herein are subject to change without notice. Vishay Intertechnology, Inc., or anyone on its behalf, assumes no responsibility or liability for any errors or inaccuracies.

Information contained herein is intended to provide a product description only. No license, express or implied, by estoppel or otherwise, to any intellectual property rights is granted by this document. Except as provided in Vishay's terms and conditions of sale for such products, Vishay assumes no liability whatsoever, and disclaims any express or implied warranty, relating to sale and/or use of Vishay products including liability or warranties relating to fitness for a particular purpose, merchantability, or infringement of any patent, copyright, or other intellectual property right.

The products shown herein are not designed for use in medical, life-saving, or life-sustaining applications. Customers using or selling these products for use in such applications do so at their own risk and agree to fully indemnify Vishay for any damages resulting from such improper use or sale.