

## Tank Weighing Assembly



### FEATURES

- Rated capacities of 50 to 2500 pounds
- Steel or stainless steel construction
- Low profile design
- Trade certified for NTEP Class III: 10000 divisions and Class III: 5000 divisions available in 1000 to 2500 pounds
- Mounts directly to floor or structural support
- Unique neoprene isolation mount accommodates shock/vibration, thermal expansion and load misalignment
- *Sensorgage™* sealed to IP65/67 standards
- Factory Mutual System Approved for Classes I, II, III; Divisions 1 and 2; Groups A through G. Also, non-incendive ratings (No barriers!)

### DESCRIPTION

The 65059-TWA is low to mid capacity alloy steel weighing assembly.

This product simply and easily converts any industrial tank, table, or platform into a high accuracy scale. The 65059 weighing assembly is shipped pre-assembled and ready to bolt between the support legs of a platform, tank, or container and the concrete floor. The top pad of this assembly is constructed from a special stiff neoprene rubber. This pad further simplifies installation by creating a self-leveling system that eliminates the shimming process of the installation. This neoprene pad further benefits the user by

creating a vibration dampening effect that helps protect and isolate the load cell. The load cell is available in both nickel plated and stainless steel construction and sealed to IP67 standards, assuring reliability in industrial and wash down applications. The assembly is available only with zinc plating for corrosion resistance.

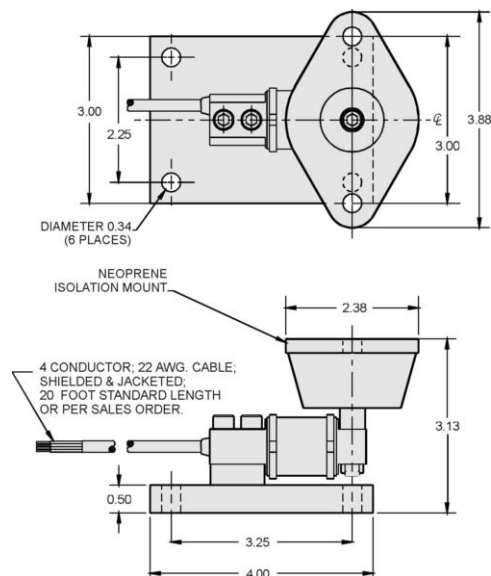
This weighing assembly is rated intrinsically safe by the Factory Mutual System (FM); making it suitable for use in potentially explosive environments. This weighing assembly is certified for Legal For Trade applications by both American NTEP and International OIML standards.

### APPLICATIONS

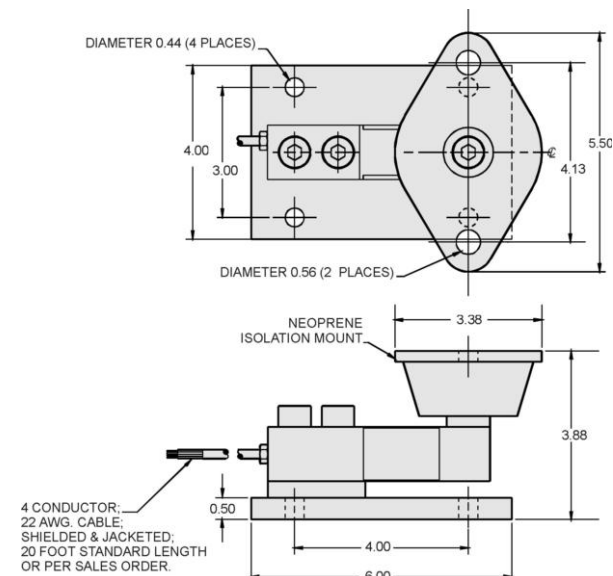
- Tank, bin and hopper weighing
- Batching, blending and mixing
- Low capacity weighing

### OUTLINE DIMENSIONS in inches

50 - 250lbs



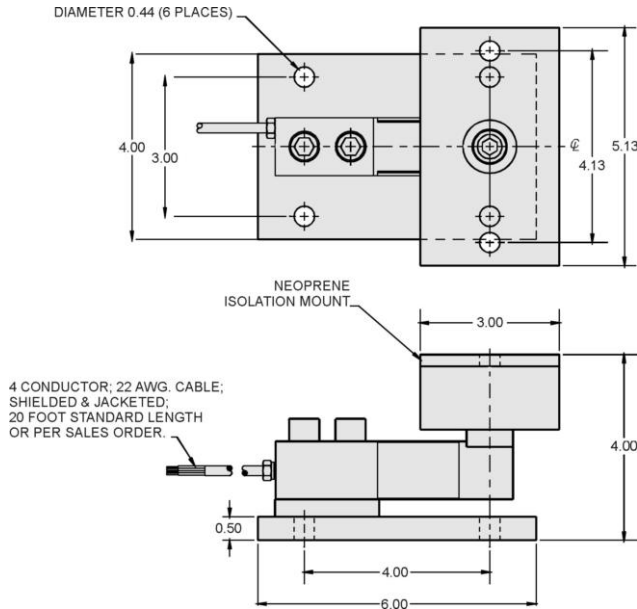
500lbs



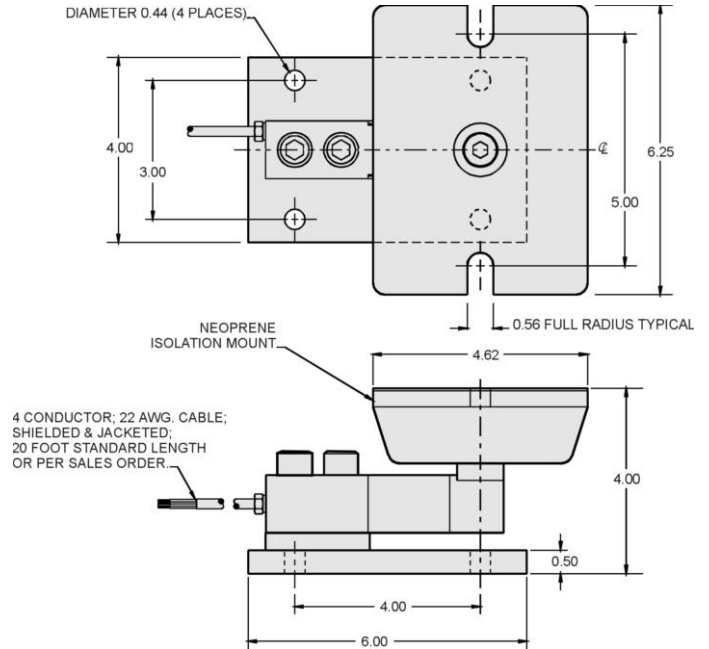


**OUTLINE DIMENSIONS** in inches

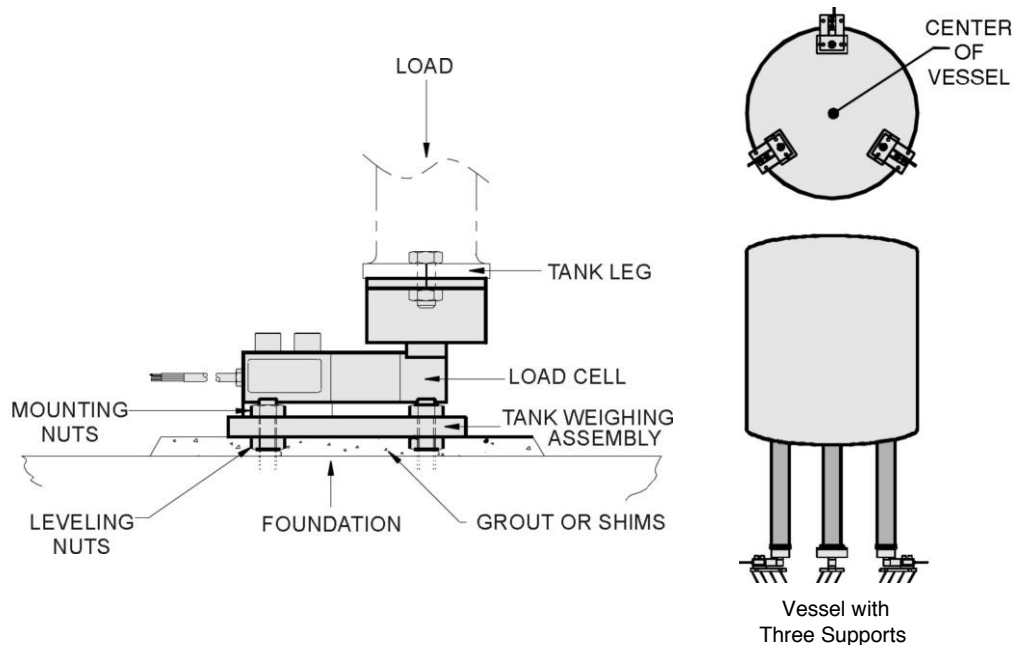
1Klbs



1.5K, 2K, 2.5K



**TYPICAL INSTALLATION**





## SPECIFICATIONS

PARAMETER	VALUE			UNIT
Rated capacity-R.C. ( $E_{max}$ )	50, 75, 100, 150, 250, 500, 1K, 1.5K, 2.5K			lbs
NTEP/OIML Accuracy class	NTEP IIIIL	Standard	OIML R60	
Maximum no. of intervals (n)	10000		3000*	
$Y = E_{max}/V_{min}$	NTEP cert. 86-044A2		6250	Maximum available
Rated output-R.O.	3.0			mV/V
Rated output tolerance	0.25			±% mV/V
Zero balance	1.0			±% FSO
Combined error	0.02	0.03	0.02	±% FSO
Non-repeatability	0.01	0.01	0.01	±% FSO
Creep error (30 minutes)	0.03	0.03	0.017	±% FSO
Temperature effect on zero	0.0010	0.0015	0.0010	±% of load/°F
Temperature effect on output	0.0008	0.0008	0.0007	±% of load/°F
Compensated temperature range	14 to 104 (-10 to 40)			°F (°C)
Operating temperature range	0 to 150 (-18 to 65)			°F (°C)
Storage temperature range	-60 to 185 (-50 to 85)			°F (°C)
Maximum safe central overload	150			% of R.C.
Ultimate central overload	300			% of R.C.
Excitation, recommended	10			Vdc or Vac rms
Excitation, maximum	15			Vdc or Vac rms
Input impedance	Capacities 50-250lbs - 380-450	Cap. 500-2500lbs - 343-357		Ω
Output impedance	Capacities 50-250lbs - 349-355	Cap. 500-2500lbs - 349-355		Ω
Insulation resistance at 50VDC	>1000			MΩ
Material load cell	Nickel plated alloy tool steel**			
Material assembly	Zinc plated steel			
Environmental protection	IP67			
Recommended torque	All capacities up to 2500lbs - 136			N*m

\* OIML approval 1-2.5Klbs only

\*\* Stainless steel available

FSO - Full Scale Output

## VISHAY TRANSDUCERS (VT) SALES OFFICES

**VT Americas**  
 City of Industry, CA  
 PH: +1-626-858-8899  
 FAX: +1-626-332-3418  
 vt.us@vishaymg.com

**VT Netherlands**  
 Breda  
 PH: +31-76-548-0700  
 FAX: +31-76-541-2854  
 vt.nl@vishaymg.com

**VMG UK**  
 Basingstoke  
 PH: +44-125-646-2131  
 FAX: +44-125-647-1441  
 vt.uk@vishaymg.com

**VMG Israel**  
 Netanya  
 PH: +972-9-863-8888  
 FAX: +972-9-863-8800  
 vt.il@vishaymg.com

**VMG Germany**  
 Heilbronn  
 PH: +49-7131-3901-260  
 FAX: +49-7131-3901-2666  
 vt.de@vishaymg.com

**VT China**  
 Tianjin  
 PH: +86-22-2835-3503  
 FAX: +86-22-2835-7261  
 vt.prc@vishaymg.com

**VMG France**  
 Chartres  
 PH: +33-2-37-33-31-20  
 FAX: +33-2-37-33-31-29  
 vt.fr@vishaymg.com

**VT Taiwan\***  
 Taipei  
 PH: +886-2-2696-0168  
 FAX: +886-2-2696-4965  
 vt.roc@vishaymg.com  
 \*Asia except China



## Notice

Specifications of the products displayed herein are subject to change without notice. Vishay Intertechnology, Inc., or anyone on its behalf, assumes no responsibility or liability for any errors or inaccuracies.

Information contained herein is intended to provide a product description only. No license, express or implied, by estoppel or otherwise, to any intellectual property rights is granted by this document. Except as provided in Vishay's terms and conditions of sale for such products, Vishay assumes no liability whatsoever, and disclaims any express or implied warranty, relating to sale and/or use of Vishay products including liability or warranties relating to fitness for a particular purpose, merchantability, or infringement of any patent, copyright, or other intellectual property right.

The products shown herein are not designed for use in medical, life-saving, or life-sustaining applications. Customers using or selling these products for use in such applications do so at their own risk and agree to fully indemnify Vishay for any damages resulting from such improper use or sale.