



"a preferred name in load cell technology"

Model 80210

Double Ended Shear Beam Load Cell

FEATURES:

- 20k to 200k pounds capacities
- Low profile design
- Nickel/Chrome plated high alloy tool steel
- Complete environmental protection
- NTEP Certified versions available for Class III L 10,000 divisions
- Factory Mutual (F.M.) Approved †



NTEP C.O.C. #90-083A2

DESCRIPTION:

The Model 80210, a double ended shear beam load cell, is ideally suited for tough environments associated with truck scales. Its construction of high alloy tool steel provides optimum protection under impact loading and adverse conditions. The cell is environmentally protected with two waterproof seals and nickel/chrome plating to assure resistance against corrosion.

PERFORMANCE SPECIFICATIONS

Standard Capacities (lbs.):	20K, 30K, 40K, 50K, 60K, 65K, 75K, 100K, 150K, 200K
Excitation Voltage:	10VDC - Maximum 15VDC
Rated Output:	3.0 mv/v ± .1%
Non-Linearity:	< 0.03% FSO (Full Scale Output)
Hysteresis:	< 0.02% FSO
Non-Repeatability:	< 0.01% FSO
Zero Balance:	±1.0% FSO
Bridge Resistance:	700 ± 7.0 ohms
Safe Overload:	150% of Rated Capacity
Side Load Discrimination:	500:1
Temperature:	
Compensated Range:	0 - 150 deg. F
Effect on Output:	< 0.0008% FSO/deg. F
Effect on Zero:	< 0.0011% FSO/deg. F
Finish:	Electroless Nickel/Chrome Plated



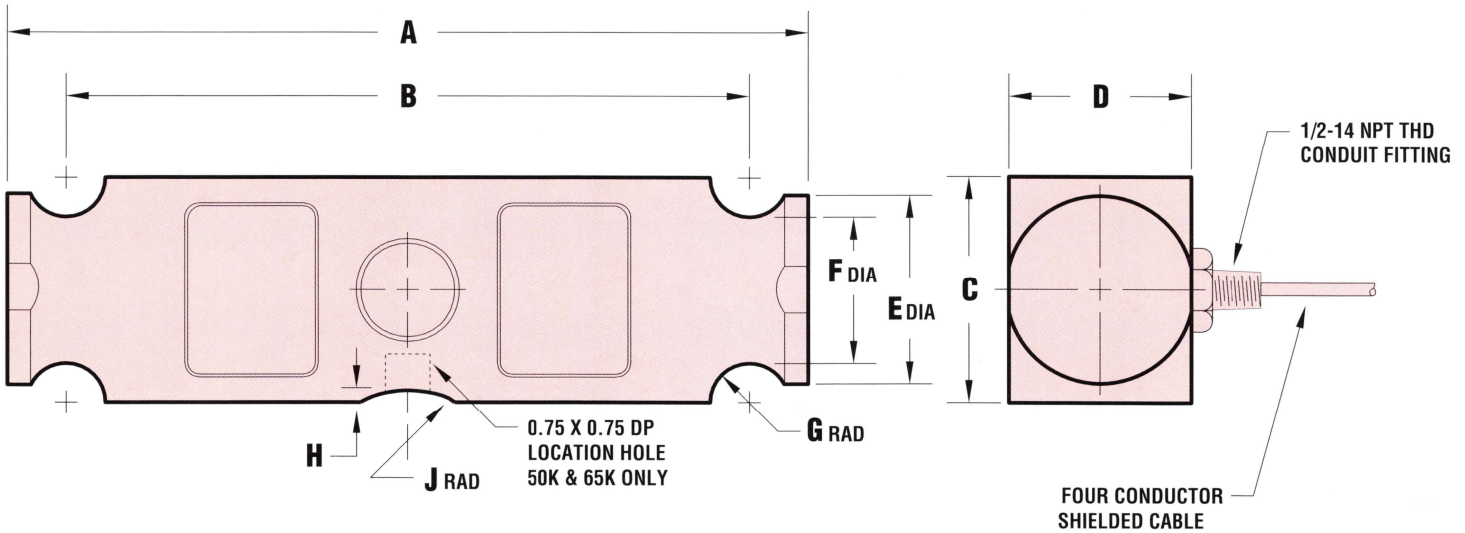
Model 80210



CAPACITY LBS.	A	B	C	D	E	F	G	H	J
20K - 40K	8.25	7.25	2.44	1.94	2.00	1.63	0.50	.25	.50
50K - 150K	10.25	8.50	2.90	2.90	2.40	2.05	1.00	.25	1.00
200K	11.50	10.00	3.40	3.40	2.75	2.35	1.50	.40	1.50

WIRING

- INPUT OUTPUT SHIELD
- RED (+) GREEN (+)
- BLACK (-) WHITE (-)
- COMPRESSION POSITIVE**



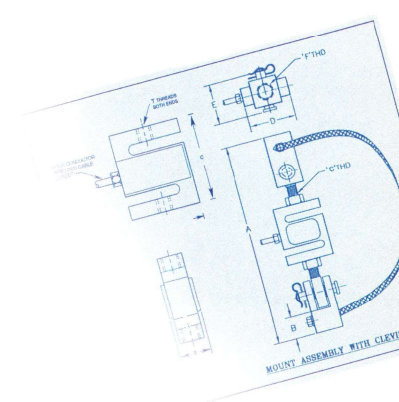
* NOTE: 20K - 40K: 40 FT CABLE, 50K - 200K: 60 FT CABLE

† Factory Mutual Systems approved as intrinsically safe when installed per F.M. approved installation drawing. Contact ARTECH sales department for details.

Represented by:



1966 Keats Drive, Riverside, CA 92501



ORDER INFORMATION

- ◆ ARTECH is dedicated to maintaining adequate inventories of its Load Cells to provide the best service in the industry.
- ◆ Order by the model number and indicate the capacity required.

- ◆ Custom services such as matched load cell outputs, special threading, and custom calibrations are available on an optional basis at an extra cost.

Let us know what you need... we listen!
QUALITY • PERFORMANCE • SERVICE

• (951) 276-3331 • (800) 654-8181 • Fax: (951) 276-4556 •
 Email: info@artechindustriesinc.com • www.artechindustriesinc.com