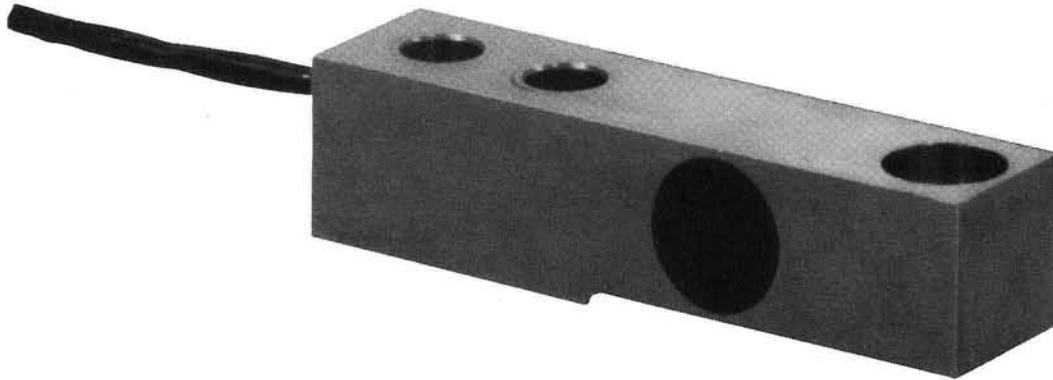


BLC



BEAM LOAD CELL

500 TO 10,000 LBS



- STAINLESS STEEL CONSTRUCTION
- AVAILABLE WITH COUNTERBORED LOAD HOLE
- LOW PROFILE
- AVAILABLE NTEP CERTIFIED

The BLC load cell combines the advantages of a bending beam and ruggedness of a shear beam into one product. This in conjunction with stainless steel construction have made the BLC a consistent choice in new scale manufacturing as well as end user applications.



TECHNICAL DATA

	500	1K	2.5K	4K	5K	10K
Rated Capacity (lbs)	500	1K	2.5K	4K	5K	10K
Rated Output (mV/V)			3.0 ± .003			
Combined Error (%) to Non-Linearity and Hysteresis (%)			0.03			
Nonrepeatability (%)			0.01			
Creep in 20 min. (%)			0.03			
Zero Balance (%)			1.0			
Compensated Temp. Range (°F/°C)			+15 to +104/-10 to +40			
Temp. Effect:			Output (% of load/1000°F) Zero Balance (%/100°F)			
			.008 0.25			
Terminal Resistance:			Input (ohms min.) Output (ohms)			
			1000 1000 ± 10			
Excitation Voltage:			Maximum VDC or VAC rms			
			10			
Insulation Resistance (megohms min.)			5000			
Max. Load, Safe (%)			150			
Max. Load Ultimate (%)			300			
Max. Side Load, Safe (%)			100			
Deflection at Rated Load (inches)	.010	.010	.010	.010	.012	0.12
Weight (lbs.)	2	2	2	2	3.5	4.5

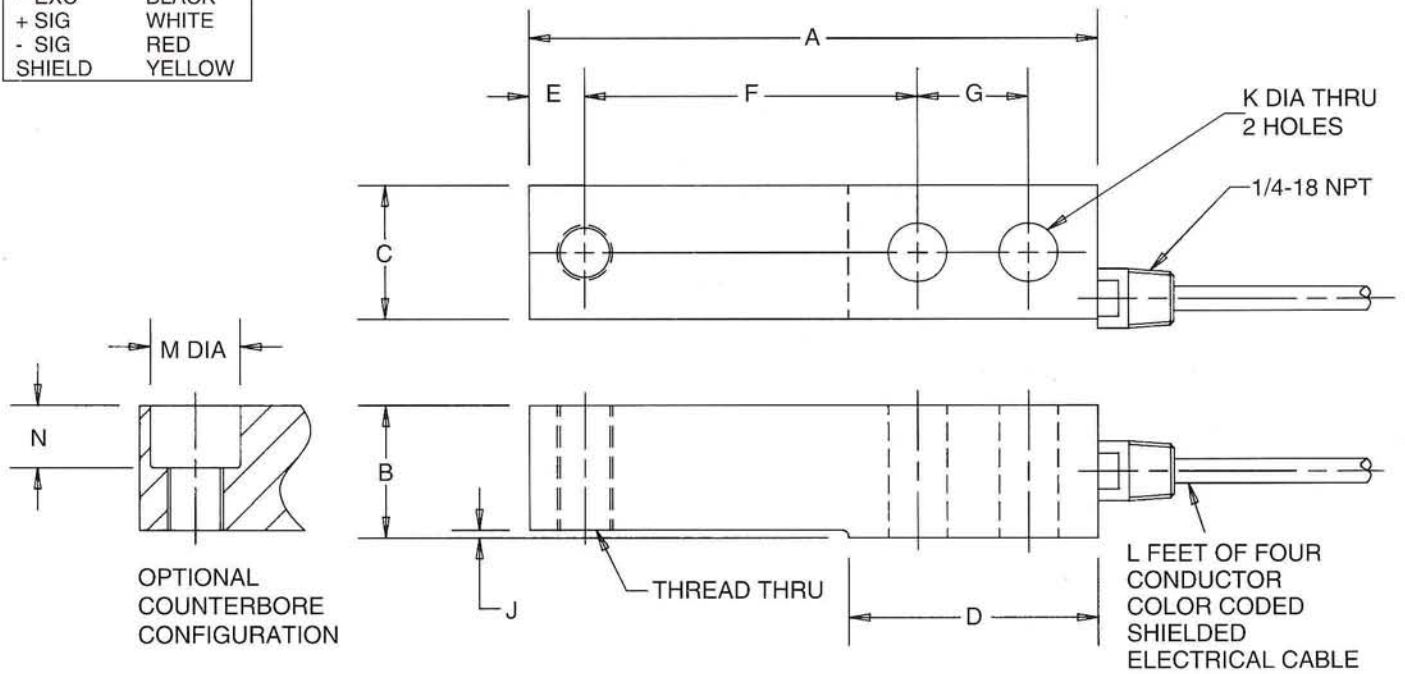
Percentages relative to rated load, except as noted.

REQUEST CERTIFIED DRAWINGS BEFORE DESIGNING MOUNTINGS OR FIXTURES. DIMENSIONS AND SPECIFICATIONS ARE SUBJECT TO CHANGE WITHOUT NOTICE.

BLC BEAM LOAD CELL 500 TO 10,000 LBS

CABLE COLOR CODE

+ EXC	GREEN
- EXC	BLACK
+ SIG	WHITE
- SIG	RED
SHIELD	YELLOW



CAPACITY (POUNDS)	DIMENSIONS (INCHES)												
	A	B	C	D	E	F	G	J	K	L	M	N	THREAD
500, 1K, 2.5K, 4K	5.25	1.19	1.21	2.27	.605	3.00	1.00	.07	.52	10	.81	.56	1/2-20 UNF-2B
5K	6.75	1.44	1.45	3.00	.75	3.75	1.50	.10	.78	20	1.19	.67	3/4-16 UNF-2B
10K	6.75	1.94	1.69	3.00	.75	3.75	1.50	.35	.78	20	1.19	.79	3/4-16 UNF-2B

HBM, INC.
19 Bartlett Street
Marlboro, MA 01752
Tel. (508) 624-4500
Fax (508) 485-7480