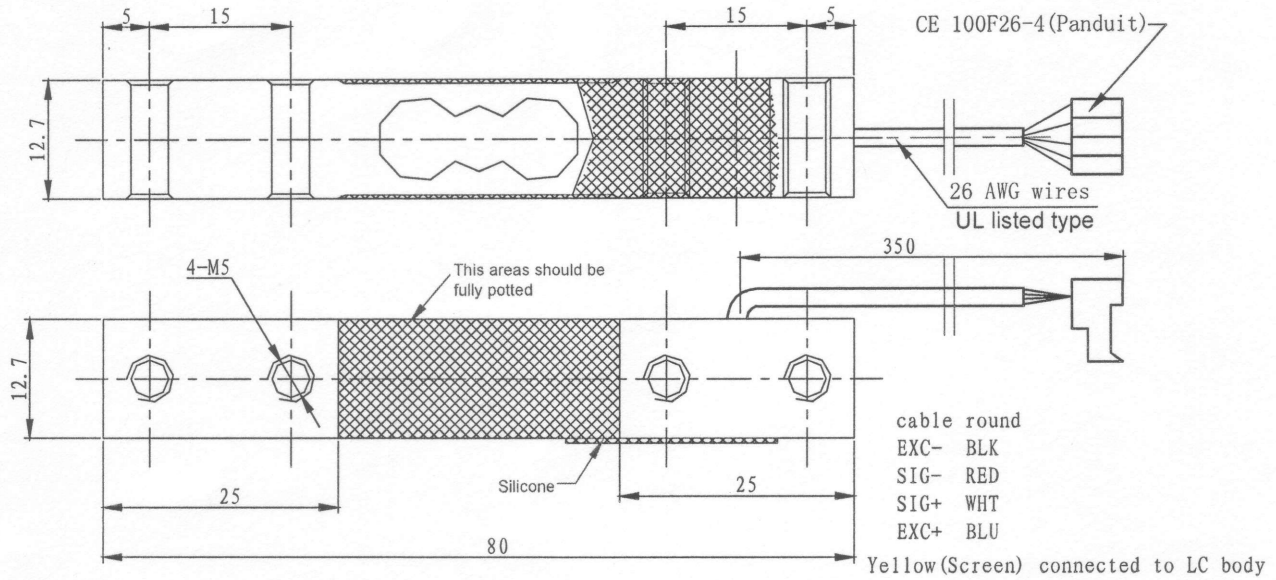


1. DF2SR Technical data:

技术参数 (Technical data)	单位 (Unit)	DF2SR-3
额定载荷 Emax (Max. capacity)	kg	1, 3,5,10,12,15,20
秤盘面积 (Max. platform size)	mm	150×150
灵敏度 (Sensitivity)	mV/V	2±10% (1kg: 1.8±10%)
零点平衡 (Zero balance)	mV/V	0±0.5
温度对灵敏度影响 (TC SPAN)	%/10K	0.05
温度对零点影响 (TC ZERO)	%/10K	0.20
非线性误差 (Non-linearity)	%	0.03
滞后误差 (Hysteresis error)	%	0.03
蠕变及蠕变恢复 (5 mins) (Creep)	%	0.03
四角误差 (Eccentric error) ¹⁾	%	0.05
输入电阻 (Input resistance)	Ω	1000±10%
输出电阻 (Output resistance)	Ω	1000±10%
参考电压 (Reference excitation voltage)	V	5
最大工作电压 (Maximum excitation voltage)	V	15
绝缘电阻 (Insulation resistance)	GΩ/100V	>2
额定温度范围 (Nominal temperature range)	℃	-10~+40
工作温度范围 (Operating temperature range)	℃	-20~+50
存储温度范围 (Storage temperature range)	℃	-30~+70
安全承载 (Safe load limit)	%	150
极限承载 (Lateral load limit)	%	300

- 1) Loaded with 30% of rated capacity at 75mm (2.95") eccentricity
- 2) All relative error specified refer to the rated output signal at max. capacity

2. DF2SR Mounting dimension:



3. DF2SR Label mode

3.1 Type label as follows at example DF2SR-3/10kg:



3.2 SN label at example in 2007 :



DATASHEET



Doc.No.:DAT00216 Ver.002

3.3 Out package label as follows at example 10kg:

Hottinger Baldwin Measurement (Suzhou) Ltd. 106 Hengshan Road, Suzhou Jiangsu, P.R. China 215009	
<h2 style="margin: 0;">1-DF2SR-3/10KG-1</h2> <p style="margin: 5px 0;"> </p>	
TYPE: DF2SR-3/10kg	
PCS 1234 	<div style="border: 1px solid black; width: 100px; height: 100px; margin: 0 auto; display: flex; align-items: center; justify-content: center;"> <p style="margin: 0;">盖合格章区 SEAL</p> </div>
PO 1234567890	
No.	
PACKING DATE: YYYY-MM-DD	

Order P/N	Altern P/N	PO NO.	Type	yyyy-mm-dd
1-DF2SR-3/1KG-1	DF2S-3/1kg-350R13GJ	Purchase order number	DF2SR-3/1kg	Packing date (year-month-day)
1-DF2SR-3/3KG-1	DF2S-3/3kg-350R13GJ	Purchase order number	DF2SR-3/3kg	
1-DF2SR-3/5KG-1	DF2S-3/5kg-350R13GJ	Purchase order number	DF2SR-3/5kg	
1-DF2SR-3/10KG-1	DF2S-3/10kg-350R13GJ	Purchase order number	DF2SR-3/10kg	
1-DF2SR-3/12KG-1	DF2S-3/12kg-350R13GJ	Purchase order number	DF2SR-3/12kg	
1-DF2SR-3/15KG-1	DF2S-3/15kg-350R13GJ	Purchase order number	DF2SR-3/15kg	
1-DF2SR-3/20KG-1	DF2S-3/20kg-350R13GJ	Purchase order number	DF2SR-3/20kg	

Note: Customers are suggested to check with our sales people to see if they get latest version before make order.
 注意: 建议客户在订购时向本公司销售人员确认该样本是否为最新有效版本。

编制: _____ 审核: _____ 批准: _____

300700-7008EA

Page -3-

Vers.: b Ausg.:29377

Date:2011-11-2