



Defender[®] 5000

Rectangular Scales



Counting function is not legal for trade

Smart Functionality, Durability, OHAUS Quality and Value

The OHAUS Defender 5000 Series is a feature-rich line of bench scales, combining an ABS plastic T51P indicator with rectangular painted steel bases and columns. Ideal for shipping and receiving, production, packaging and general commercial and industrial weighing applications, the Defender 5000 offers a multifunctional indicator with multiple weighing units and software modes to meet the requirements of industrial and lab applications. With rugged construction, comprehensive yet intuitive software and multiple connectivity options, the Defender 5000 can meet the needs of demanding industrial operations.

Standard Features Include:

- Painted steel base with ABS indicator
- 5,000-7,500d default resolution
- NTEP Certified / Measurement Canada Approved resolution up to 1:3,000
- Quick display of results using large LCD with high-contrast white backlight
- Temporary display of 10x readability in weighing mode using quick key press
- Easy to operate with 4-key membrane keypad with raised tactile keys
- Weighs in one or more units: kg, g, lb, oz, lb:oz (decimal), metric tonnes and user-definable custom unit
- Multiple weighing modes including Counting, Percent Weighing, Dynamic/Animal Weighing, Checkweighing, and Display Hold
- Internal power supply with universal line cord or 6 "C" batteries (80 hour battery life) – optional NiMH internal rechargeable power pack available
- Includes RS232 interface with GMP/GLP data output including date and time
- Base and indicator connected using quick connect plug
- Optional interfaces include DC relay control kit, AC relay control kit, 2nd RS232 and RS485/422

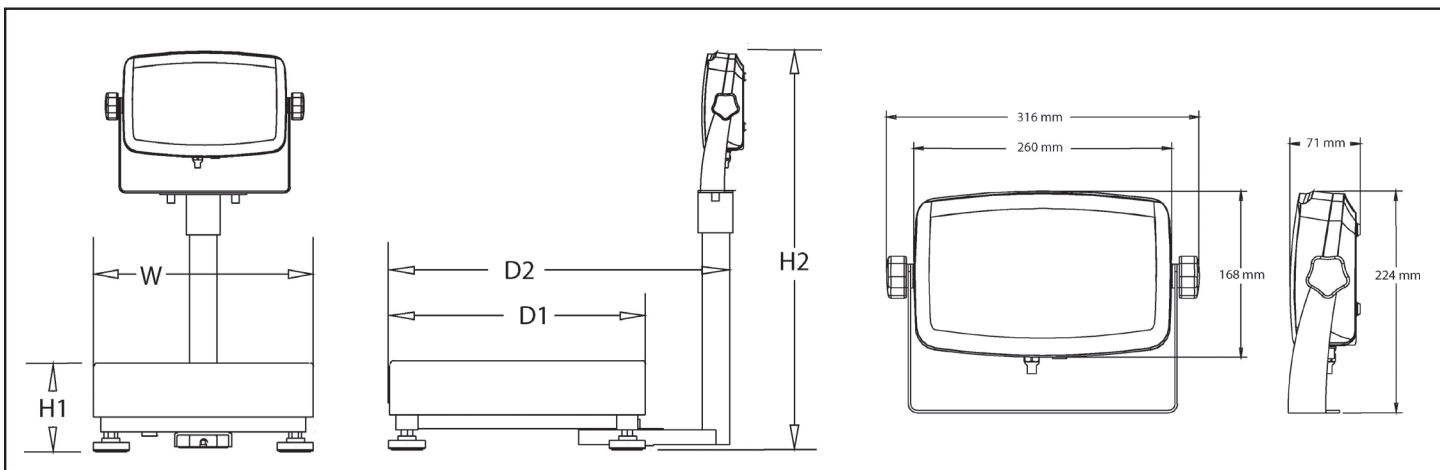
Defender[®] 5000 Rectangular Scales

The Defender 5000 Offers Multiple Features and Easy Configuration:

To meet different operational needs, the Defender 5000 includes a suite of configurable software:

- Counting mode for packaging and inventory control, enabling counting into a container or out of a container for bulk operations. Supports a maximum counting resolution to 1:300,000 (minimum APW equal to 0.1d), selectable auto-optimization of average piece weight (APW). APW data can be displayed at any time using a quick key press.
- Percent Weighing mode for formulation and mixing applications, with display of reference weight with quick key press.
- Dynamic/Animal Weighing with selectable weigh times from 0-60 seconds.
- Checkweighing function for packaging and weight checking, with display of results using LCD display and red/yellow/green LEDs. Audible beeper can be configured to prompt when weight is within range, under, over, or under or over range. Target weight values can be displayed at any time using a quick key press.
- Display Hold mode for weighing large packages holds last stable weight on display until cleared
- The Defender 5000 weighs in one or more user-selectable units: kg, g, lb, oz, lb:oz (decimal), metric tonnes and user-definable custom unit
- Supports GMP/GLP data output with date, time user ID, project ID and scale ID. The Defender 5000 features selectable print options for data and print format
- To limit operator access to functions, the Defender 5000 offers both software lockouts for menu items as well as individual key functions.

Outline Dimensions



Standard Features:

High-Visibility LCD Display
with bright white LED backlight.
Fast display stable weight within
2 seconds

Internal Slot for Capacity Label
Protects label from the effects
of moisture and external
environments

Reversible Rear Housing
Cables can exit above (table or front scale
mounting) or below (wall or bench scale
mounting) for convenient mounting. Front
scale mounting with available accessory.
Internal structural ribs provide strength and
minimize flexing.

3-Color LED Checkweigh Indication
with configurable beeper alert

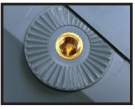
Simple Plug-In Battery Installation



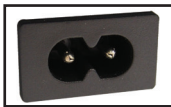
Use six C- alkaline
batteries or the
optional NiMH
battery

Included Table/Wall Mount Bracket

With large ergonomic adjustable knobs to
maximize viewing angles. A ratchet-type angle
adjustment with metal inserts ensure that
viewing angles are set securely,
and lasts a long time even with
frequent adjustments



Universal Switching Power Supply



100-240 VAC with AC line
cord; no need for an external
AC adapter!

One-Key, Multiple Mode Selection

Counting, Dynamic Weighing,
Display Hold, Percent Weighing and
Checkweighing

Stay Connected

Built in RS232 bi-directional interface and built-
in external input, optional RS422/485, optional
second RS232 and optional AC or DC relay

Plug-in Load Cell Connector

Allows for simple connection to Defender bases or
directly to terminal block.



Painted Steel Columns

Available in both short and tall lengths

Fully Adjustable Feet

Four rugged, adjustable feet
help prevent slippage on
wet or uneven surfaces



**Durable Base Frame
Construction**

Stainless steel pans and painted
steel form-and-weld painted
steel frames (R, L bases) provide
maximum durability, rigidity and
structural integrity. Load-unload
cycle tested
to ensure
long-term
performance.



Options and Accessories

Interface Options

	OHAUS Number
AC Relay Kit.....	80500720
DC Relay Kit	80500727
RS485/422 Interface Kit	80500731
Second RS232 Interface Kit	80500733

Power Options

Rechargeable Battery Kit, T51P/T51XW	80500729
--------------------------------------------	----------

Other Accessories

	OHAUS Number
Compact Dot Matrix Impact Printer.....	80252042
Compact Thermal Printer	80251992
OHAUS Collect Software	80500746
TAL Software WinWedge.....	SW12W
Paper for Printer, 80252042 (1 roll)	80251932
Ribbon for Printer, 80252042.....	80251933
RS232 Cable & Adapter, 80252042 Printer to T51P	80252571
RS232 Cable, PC 9-pin to T51P.....	80500525
RS232 Cable, PC 25-pin to T51P	80500524

Defender[®] 5000 *Rectangular Scales*

Model	D51P15HR1	D51P30HR1	D51P60HR1	D51P60HL2	D51P100HL2	D51P150HX2	D51P300HX2
Capacity x Default Readability	30lb x 0.002lb 480oz x 0.05oz 30lb : 0.05oz 15kg x 0.001kg 15,000g x 1g	60lb x 0.005lb 960oz x 0.1oz 60lb : 0.1oz 30kg x 0.002kg 30,000g x 2g	150lb x 0.01lb 2,400oz x 0.2oz 150lb : 0.2oz 60kg x 0.005kg 60,000g x 5g	150lb x 0.01lb 2,400oz x 0.2oz 150lb : 0.2oz 60kg x 0.005kg 60,000g x 5g	250lb x 0.02 4,000oz x 0.5oz 250lb : 0.5oz 100kg x 0.01kg 100,000g x 10g	300lb x 0.02lb 4,800oz x 0.5oz 300lb : 0.5oz 150kg x 0.01kg 150,000g x 10g	600lb x 0.05lb 9,600oz x 1oz 600lb : 1oz 300kg x 0.02kg 300,000g x 20g
Maximum Displayed Resolution	15000d	12000d	15000d	15000d	12500d	15000d	12000d
Capacity x Certified/Approved Readability	30 lb x 0.01 lb 15 kg x 0.005 kg	60 lb x 0.02 lb 30 kg x 0.01 kg	150 lb x 0.05 lb 60 kg x 0.02 kg		250 lb x 0.1 lb 100 kg x 0.05 kg	300 lb x 0.1 lb 150 kg x 0.05 kg	600 lb x 0.2 lb 300 kg x 0.1 kg
Maximum Certified Resolution	1:3,000	1:3,000	1:3,000		1:2,500	1:3,000	1:3,000
Indicator Model	T51P						
Column	13.8 in / 350 mm painted steel			26.8 in / 680 mm painted steel			
Construction	ABS plastic indicator, stainless steel removable weighing platform, painted steel column and base construction, aluminum loadcell						
Safe Overload Capacity	150% of maximum capacity						
Protection	Dry use for scale, IP67 for loadcell						
Weighing Units	lb, oz, lb:oz, kg, g, metric tonnes, custom unit						
Modes	Static Weighing, Dynamic Weighing, Counting, Checkweighing, Percent Weighing, Display Hold						
Display	1 in / 25mm high 6-digit, 7-segment bright white backlit LCD						
Keyboard	4-button membrane switch						
Stabilization Time	Within 2 seconds						
Auto-zero Tracking	Off, 0.5, 1 or 3 d						
Zeroing Range	2% or 100% of capacity						
Calibration	Span: 1kg or 1lb to 100% of capacity / 3-point linearity (0 - 50% - 100% fixed)						
Power	100-240 VAC / 50-60Hz internal universal power supply, 6 'C' cell batteries (not supplied) with 80 hour life						
Interface	RS232 and external input						
Operating Temperature Range	14°F to 104°F / -10°C to 40°C						
Scale Dimensions (W x H1 x H2 x D1 x D2)	12 x 3.7 x 23.6 x 14 x 18.7 in 305 x 95 x 600 x 355 x 475 mm			15.7 x 4.1 x 37 x 19.7 x 24.4 in 400 x 105 x 940 x 500 x 620 mm		16.5 x 4.9 x 37 x 21.7 x 26.4 in 420 x 125 x 940 x 550 x 670 mm	
Shipping Dimensions (L x W x H)	19.3 x 16.1 x 17.3 in 490 x 410 x 440 mm			29.1 x 27.2 x 9.1 in 740 x 690 x 230 mm		29.5 x 30 x 9.1 in 750 x 710 x 230 mm	
Approx. Net Weight	25.3 lb / 11.5 kg			49.1 lb / 22.3 kg		61.1 lb / 27.7 kg	
Approx. Shipping Weight	30.2 lb / 13.7 kg			56.4 lb / 25.6 kg		67.7 lb / 30.7 kg	

Features

T51P: ABS plastic housing with internal rib reinforcements, reversible rear cover, backlit LCD weight display, checkweighing indication (green, yellow, red), membrane keypad with raised tactile keys, built-in bi-directional RS232 with manual/continuous/interval printing, external tare input, hardware configuration lockout switch, internal switching power supply with line cord and battery power using 6 "C" cell batteries.

Other Features

Zero point calibration, calibration test, span or linear calibration, selectable auto-zero tracking range, selectable stability range, selectable averaging level, selectable LCD backlight, selectable auto shutoff, retain zero weight data after power-off, Geo geographical adjustment, selectable key beep, key function lock, menu lock, selectable power-on and calibration unit, battery status display, display of gross/net weight, indication of stability, center of zero, over- and underweight, overload and underload conditions. Configuration menus for PRINT1, PRINT2, COM1, COM2, and I/O.

Compliance

- **Legal for Trade (Made from Certified/Approved weighing components):** NTEP (CC No. 08-039 for indicator; 99-203A3 for bases); Measurement Canada (Approval No. AM-5687 for Indicator; AM-5675 for bases)
- **Safety and EMC:** cUL_{us} 2005/95/EC low voltage directive: EN60950-1:2001, FCC Part 15 Class A 2004/108/EC EMC directive: EN61326-1:1997; +A1:1998; +A2:2001; + A3>2003
- **Other:** Compliant to Directive 2002/96/EC on waste electrical and electronic equipment (WEEE)
- **Quality:** OHAUS quality management system registered to ISO 9001:2008

OHAUS CORPORATION

*7 Campus Drive
Suite 310
Parsippany, NJ 07054 USA

Tel: 800.672.7722
973.377.9000
Fax: 973.944.7177

www.ohaus.com

*With offices throughout
Europe, Asia, and
Latin America*

*ISO 9001:2008
Registered Quality
Management System

