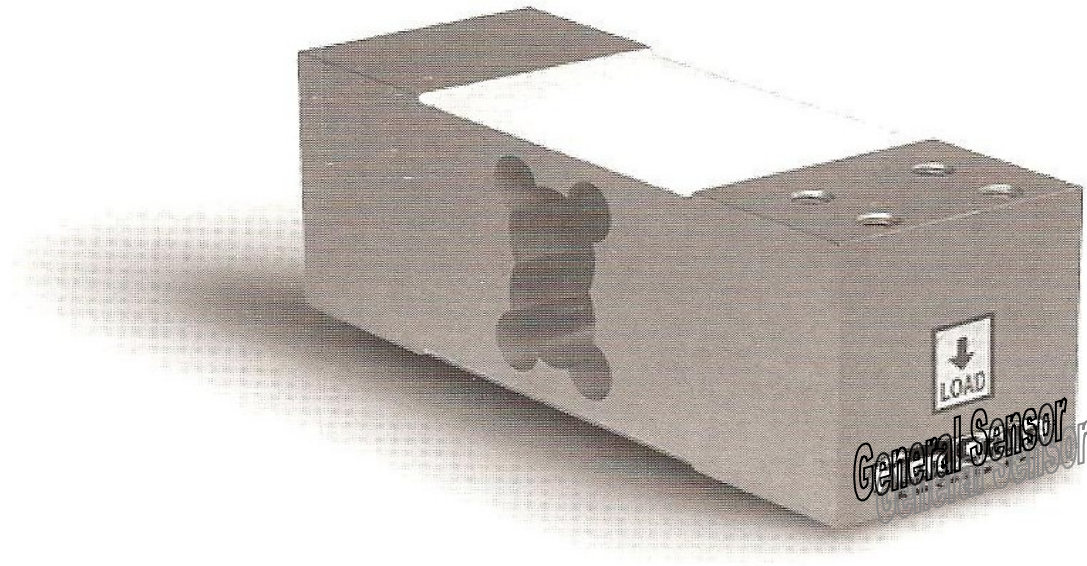


SPECIFICATIONS

GC2L1



Single Point aluminum load cell!

- ✓ Anodized Aerospace Aluminum
- ✓ IP67 rated
- ✓ Interchangeable with NMB C2L1
- ✓ 20Ft 4 conductor cable

M8 metric thread

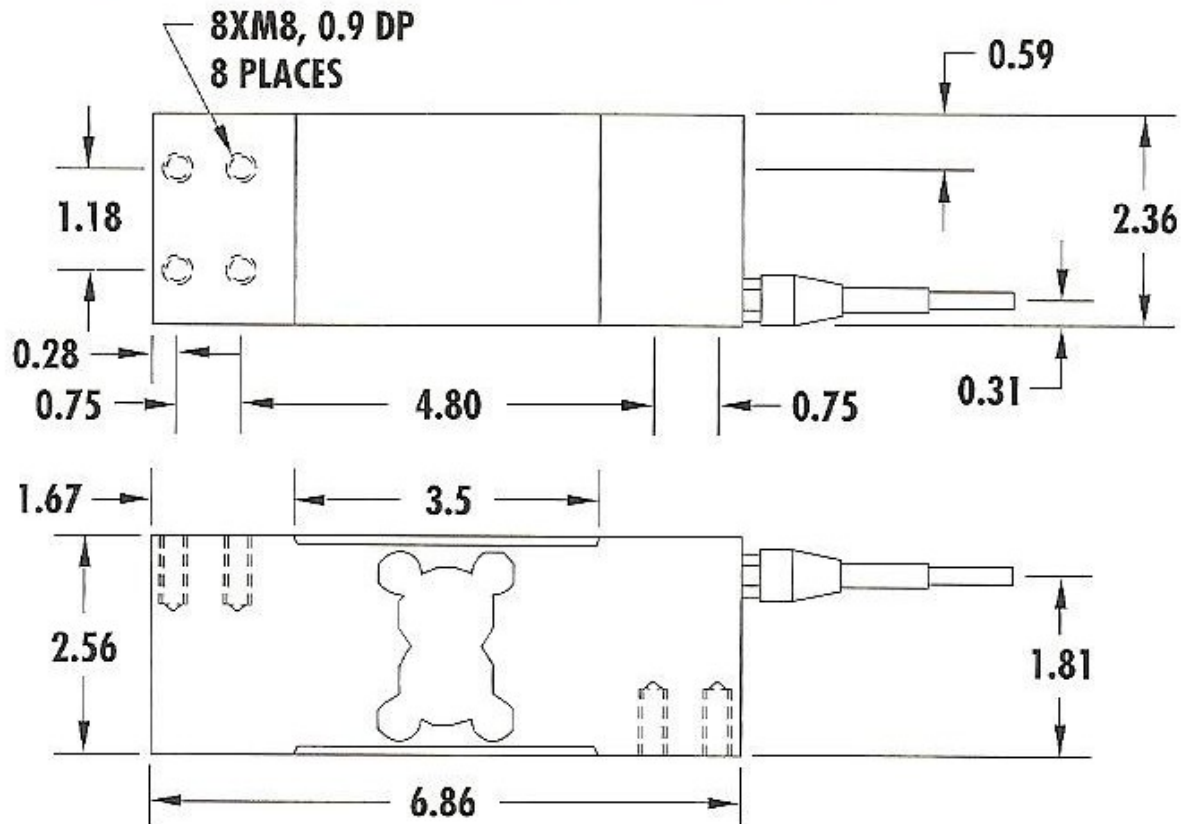


Totalcomp
Scales & Components
the weigh you want... *today!*

13-01 Pollitt Drive * Fair Lawn, New Jersey 07410
Fax: 201-797-2287 * Toll Free Fax: 888-797-2288 * Phone: 201-797-2718 * Toll Free Phone: 800-631-0347

SPECIFICATIONS

GC2L1



2 mv/v +/-10%, 0.03% nonlinearity, 390/350 ohms, 20ft 4 cond. Cable, anodized aluminum IP67.

Cable color code: Red.....+excitation
Black.....-excitation
Green.....+signal
White.....-signal

 **Totalcomp**

Scales & Components

the weigh you want... *today!*

13-01 Pollitt Drive * Fair Lawn, New Jersey 07410

Fax: 201-797-2287 * Toll Free Fax: 888-797-2288 * Phone: 201-797-2718 * Toll Free Phone: 800-631-0347