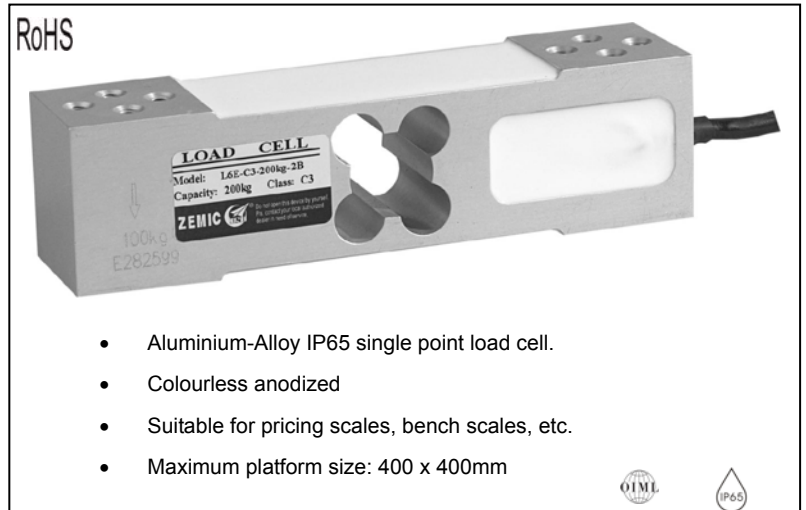


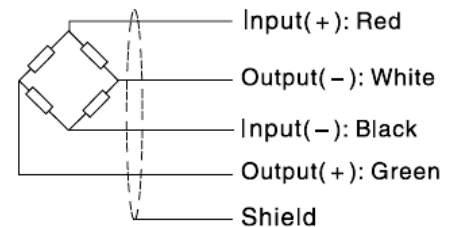
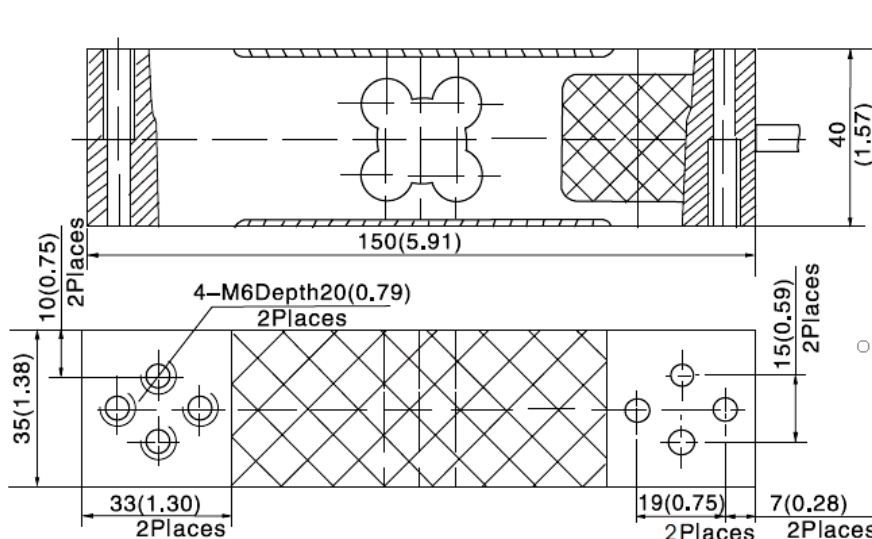
Capacity	Accuracy	Part-Number
50 kg	Cx	L6E-Cx-50kg-2B
60 kg	Cx	L6E-Cx-60kg-2B
80 kg	Cx	L6E-Cx-80kg-2B
100 kg	Cx	L6E-Cx-100kg-2B
150 kg	Cx	L6E-Cx-150kg-2B
200 kg	Cx	L6E-Cx-200kg-2B
300 kg	Cx	L6E-Cx-300kg-2B



Specification:

Accuracy class		OIML R60 C3		OIML R60 C4		OIML R60 C5	
Output sensitivity (= FS)	mV/V	2.0 ± 0.2					
Maximum capacity (E _{max})	kg	50, 60, 80, 100,	150, 200, 300	50, 60, 80, 100,	150, 200, 300	50, 60, 80, 100,	150, 200, 300
Maximum number of load cell intervals (n _{LC})		3000		4000		5000	
Ratio of minimum LC verification interval Y = E _{max} / V _{min}	Y	10000		15000		20000	
Ratio of minimum dead load output return Z = E _{max} / 2*DR	Z	4200	3300	5600	4400	7000	5500
Combined Error	%FS	≤ ± 0.0230		≤ ± 0.0175		≤ ± 0.0140	
Minimum dead load	kg	0					
Safe overload	of E _{max}	150 %					
Ultimate overload	of E _{max}	300 %					
Zero balance	of FS	≤ ± 2.0 %					
Excitation, recommended voltage	V	5 ~ 12					
Excitation maximum	V	18					
Terminal resistance, input	Ω	406 ± 6					
Terminal resistance, output	Ω	350 ± 3					
Insulation resistance	MΩ	≥ 5000 (at 50VDC)					
Temperature range, compensated	°C	-10 ~ +40					
Temperature range, operating	°C	-35 ~ +65					
Element material		Aluminium					
Corner correction		≤ ± 0.02%Load value/100mm					
Recommended torque on fixation bolts	Nm	10					
Ingress Protection (according to EN 60529)		IP65					

Outline Dimensions in mm (inch)



• Dimensions and specifications are subject to change without notice.

Wiring:

- Adopt a shielded, 4 conductor cable, and cable jacket is PVC.
- Cable length: 2 ± 0.1m
- Cable diameter: 5 ± 0.2mm.
- Shield not connected to element.
- Different cable lengths are available on customer request

Please visit our website WWW.ZEMIC.NL for the most actual information

Nr. 2010.11 L6E Rev4