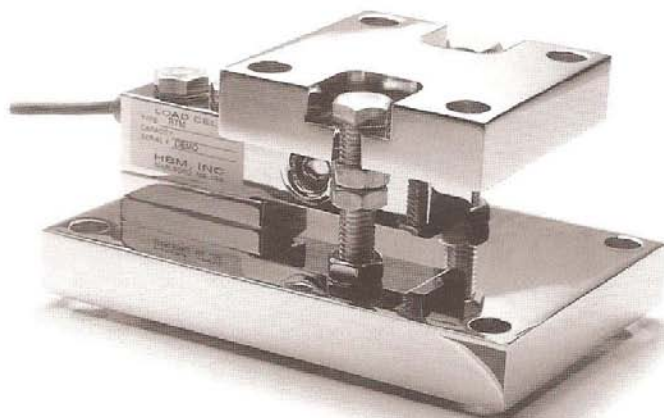




The RTM weigh module
is low in profile and
hermetically sealed. Ideal
for use in corrosive and
washdown areas.

RTM

weigh module



RTM weigh module technical data

	500	1.25K	2.5K	4K	5K	10K
Rated capacity (lbs)						
Rated output (mV/V)						2.0 ± 0.2
Combined error due to non-linearity and hysteresis (%)						0.03
Non-repeatability (%)						0.01
Creep in 20 min (%)						0.03
Zero balance (%)						1
Compensated Temp. Range (°F/°C)					+15 to +104/-10 to +40	
Temp effect:						
Rated output (% of load/100°F)						0.08
Zero balance (% of load/100°F)						0.25
Terminal resistance:						
Input (ohms min.)						350
Output (ohms)						350
Excitation voltage: Maximum VDC or VAC rms						15
Insulation resistance (megohms min.)						5000
Max load safe (%)						150
Max side load safe (%)						100
Max load ultimate (%)						300
Deflection @ rated load (inches)	.01	.01	.01	.01	.01	.012
Weight (lbs)	16.4	16.4	16.4	16.4	18	20.5

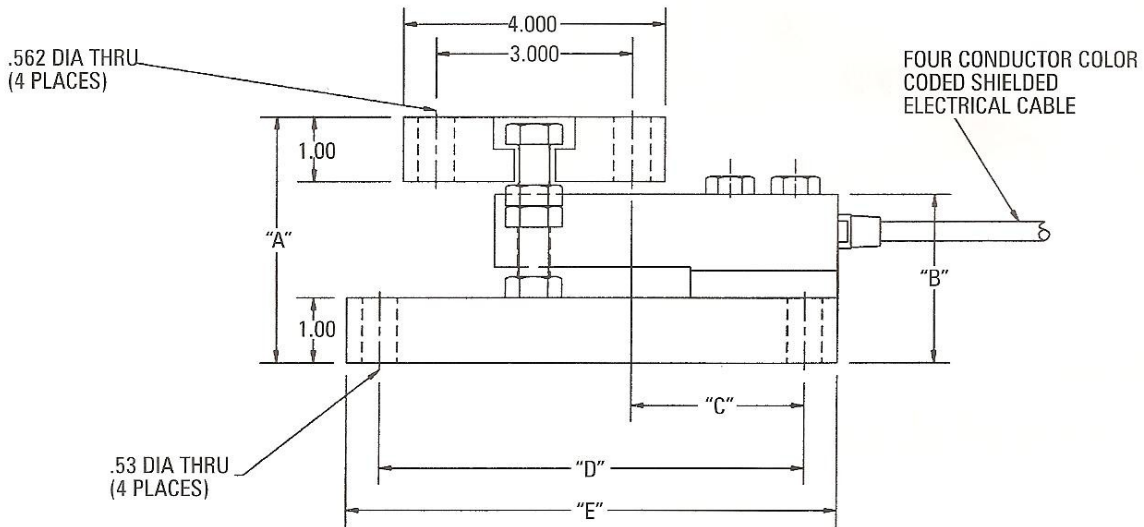
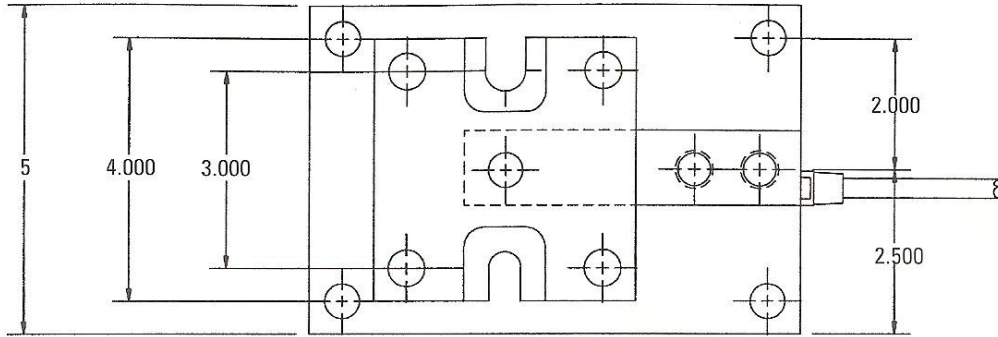
- Stainless steel construction
- Overload/overlift protection
- Rocker pin load introduction
- Hermetically sealed
- Integral lateral stops
- IP 67 rating

Factory
Mutual
System

HBM, Inc.
19 Bartlett Street
Marlboro, MA 01752
Tel: (508) 624-4500
Fax: (508) 485-7480
Website: www.hbm.com

Percentages relative to rated output, except as noted.
REQUEST CERTIFIED DRAWINGS BEFORE DESIGNING MOUNTINGS OR FIXTURES.
DIMENSIONS AND SPECIFICATIONS ARE SUBJECT TO CHANGE WITHOUT NOTICE.

RTM tank weigh module



CAPACITY (POUNDS)	DIMENSIONS (INCHES)					CABLE LENGTH
	A	B	C	D	E	
500-2, 5K	3.782	2.590	2.650	6.500	7.500	15'
4K	3.946	2.590	2.650	6.500	7.500	15'
5K	4.030	2.838	2.650	6.500	7.500	15'
10K	4.280	3.088	3.900	7.500	8.500	30'

CABLE COLOR CODE	
+ SIG	WHITE
- EXC	BLACK
+ EXC	GREEN
- SIG	RED
SHIELD	YELLOW



HBM, Inc.

19 Bartlett Street

Marlboro, MA 01752

Tel: (508) 624-4500

Fax: (508) 485-7480

Website: www.hbm.com