

RW-S/L Series

Wheel Weighing Scale

- Designed for mobile weight inspection
- Heavy duty cast aluminum construction
- 1 inch LCD illuminated backlight display
- Used for cars, trucks, and custom applications
- Battery operated with AC adapter/charger
- Single and double width available
- Scale are linkable for multi-axle weighing (up to 6 scales)



ISO 9001 certified

CAS
S · C · A · L · E

RW-L

RW-S/L Series Wheel Weighing Scale

FEATURES

- Mult-Axle Weighing (Up to 6 Scales)
- 1 inch LCD Display with Backlight
- kg/lb Switchable
- Displays Individual or Total Weight
- Advanced Digital Filtering to Compensate for Vibration

SPECIFICATIONS

| Model | RW-05S | RW-10S | RW-05L | RW-10L |
|--------------------------|---|-----------------------|------------------------|------------------------|
| Capacity | 5,000kg/ 10,000 lb | 10,000kg/ 20,000lb | 5,000kg/ 10,000lb | 10,000kg/ 20,000 lb |
| Min. Division | 2kg/5lb | 5kg/10lb | 2kg/5lb | 5kg/10lb |
| Display | 5 Digit LCD Display (Height 1 inch/25 mm) | | | |
| Accuracy | 1 % | | | |
| Safe Overload | 150% | | | |
| Operating Time | 20 hours (charging time 8 hours) | | | |
| Operating Temperature | -10°C ~ +40°C | | | |
| Power Source | 1.5V AA Size 12EA DC7.2V 2.6Ah Battery (AC 110V/220V Charger) | | | |
| Weigh Pad Dimensions | 12.2(W) × 13.4(D) inch | | 24.6(W) × 13.4(D) inch | |
| Overall Size (W × D × H) | 18.0 × 21.1 × 2.4 inch | | 28.3 × 22.3 × 2.4 inch | |
| Product Weight | 22 kg/48.5 lb | | 36 kg/79.4 lb | |

APPLICATIONS

- Safeguards against Overloaded Vehicles
- Mobile Weight Inspections

OPTIONS

- Totalizer Cable
- Printer



CAS USA Corporation

NJ OFFICE
99 Murray Hill Parkway
East Rutherford, NJ 07073
Tel: (201) 933-9002
Fax: (201) 933-9025

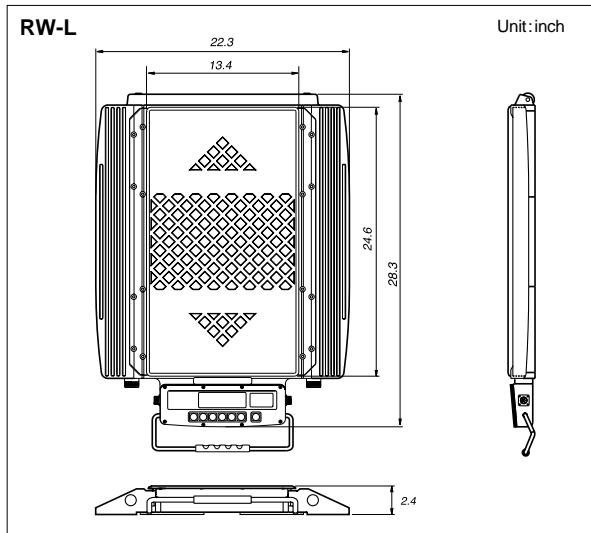
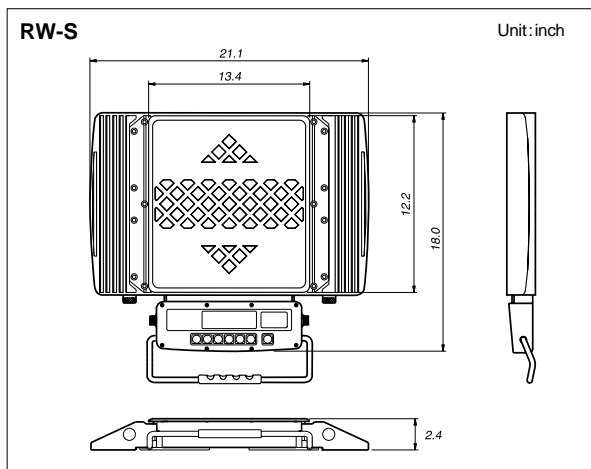
<http://www.cas-usa.com>

CA OFFICE
733 S. State College Blvd #98
Fullerton, CA 92831
Tel: (714) 870-1286
Fax: (714) 870-1167

DISPLAY & KEY BOARDS



DIMENSIONS



Specifications are subject to change for improvement without prior notice.