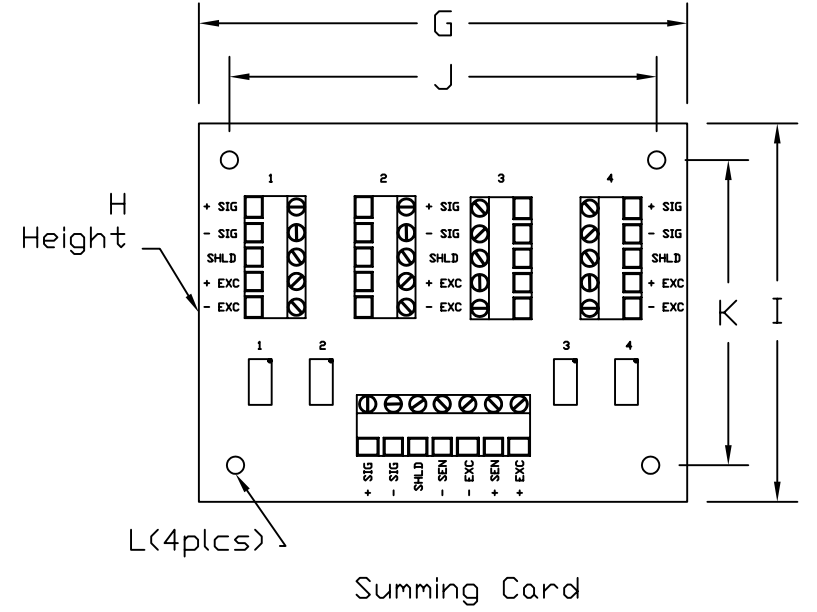
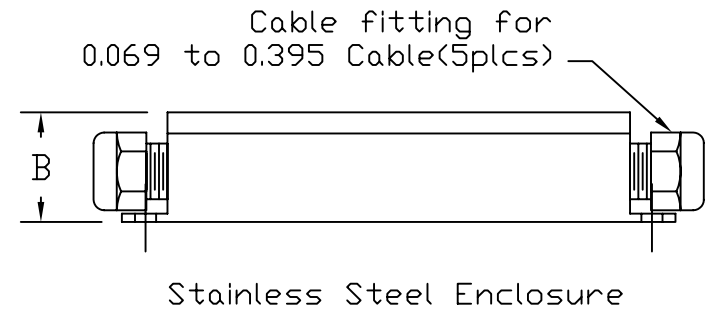
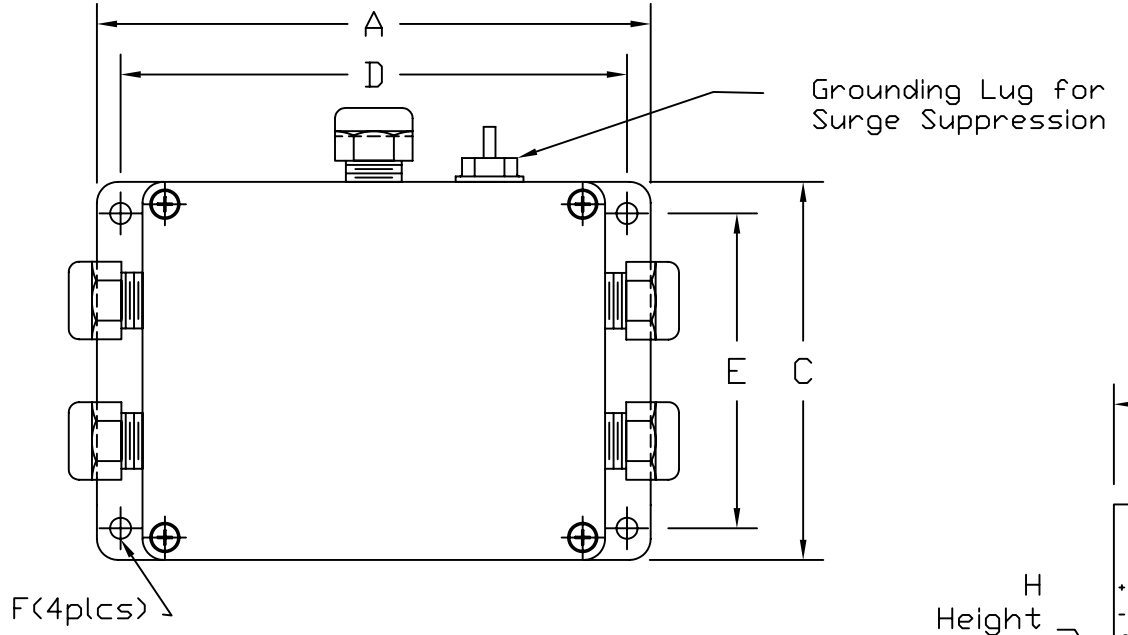


REVISIONS							
ZONE	LTR.	DESCRIPTION	DATE	ECN	BY	CKD	APVD
-	-	INITIAL RELEASE	10/01/08	-	-	-	-



MODEL	PART NUMBER	DESCRIPTION
34	SS-34AS	MODEL 34 STAINLESS STEEL SUMMING BOX COMPLETE (SIGNAL TRIM)
	SS-34AE	MODEL 34 STAINLESS STEEL SUMMING BOX COMPLETE (EXCITATION TRIM)

TECHNICAL SPECIFICATIONS:

- MODEL: 34
- NUMBER OF LOAD CELL INPUTS: 4
- LOAD CELL TRIM RANGE: SIGNAL TRIM
350 OHM LOAD CELLS: 3%
700 OHM LOAD CELLS: 5%
- LOAD CELL TRIM RANGE: EXCITATION TRIM
350 OHM LOAD CELLS: 5%
700 OHM LOAD CELLS: 7%
- LIQUID TIGHT STRAIN RELIEFS: 5
- STRAIN RELIEF CABLE RANGE: 0.069 TO 0.395 INCHES
- ALL CONNECTIONS VIA SCREW TERMINAL BLOCKS

34	DIMENSIONS					
	A	B	C	D	E	F
STAINLESS STEEL	7.00	1.55	4.48	6.50	3.73	0.28
SUMMING CARD	G	H	I	J	K	L
	4.00	0.75	3.10	3.50	2.50	0.14

DO NOT ALTER WITHOUT AGENCY NOTIFICATION

COTI GLOBAL SENSORS, INC.

MODEL 34 4 CHANNEL SUMMING JUNCTION BOX

	THIS DRAWING USES THIRD ANGLE PROJECTION	APPROVALS	DATE
		DRAWN: MTSI CHECKED: MB ENGINEER: AA APPROVED: AA	10/01/08 10/01/08 10/01/08 10/01/08
THIS DOCUMENT CONTAINS PROPRIETARY INFORMATION AND SUCH INFORMATION MAY NOT BE REPRODUCED OR DISCLOSED FOR ANY PURPOSE OR USED TO PRODUCE THE ARTICLE OR SUBJECT WITHOUT WRITTEN PERMISSION FROM COTI GLOBAL SENSORS, INC.		TOLERANCES UNLESS OTHERWISE SPECIFIED .XX-±.01 .XXX-±.005 FRACTIONS-±1/16" ANGLES: ±1/2"	
MATERIAL STAINLESS STEEL		SCALE NONE SIZE B PART/DRAWING NO. DOD-34 REV. - MODEL 34 SHEET 1 OF 1	