



NTEP C.O.C. #90-032

MODEL SS30310 RECTANGULAR SHEAR BEAM LOAD CELL

FEATURES:

- Model SS30310 threaded hole
- Model SS30210 through hole
- 250 to 20K pounds capacities
- Complete environmental protection
- NTEP certified versions available for Class III 5000 division
Class IIIL 10,000 division
- Factory Mutual (F.M.) Approved †

DESCRIPTION:

A versatile Stainless Steel Load Cell designed for multiple use in low profile and platform scales, and in tank, bin, and hopper weighing systems. Stainless steel construction ensures durability and precision performance. The cell is environmentally protected with waterproof seal. Mounting plates are also available (see accessories).

PERFORMANCE SPECIFICATIONS

Standard Capacities (lbs):	* 250, *500, 1K, 2K, 2.5K, 3K, 4K, 5K, 5KLE, 10K, 15K, 20K
Excitation Voltage:	10VDC - Maximum 15VDC
Rated Output:	3.0 mv/v + .25%
Non-Linearity:	< 0.03% FSO (Full Scale Output)
Hysteresis:	< 0.02% FSO
Non-Repeatability:	< 0.01% FSO
Zero Balance:	± 1.0% FSO
Bridge Resistance:	350 ± 3.5 ohms
Safe Overload:	150% of Rated Capacity
Temperature:	
Compensated Range:	0 - 150 deg. F
Effect on Output:	< 0.0008% FSO/deg. F
Effect on Zero:	< 0.0011% FSO/deg. F

* Bending Beam



CAPACITY LBS.	PART NO.	A	B	C	D	E	F	G	H	I
250 - 5K	30310 - XX	5.12	1.25	1.25	.53	.60	1.00	3.00	.60	1/2 - 20 UNF - 2B
5KLE - 10K	30310 - XX	6.75	1.50	1.50	.78	.75	1.50	3.75	.75	3/4 - 16 UNF - 2B
15K - 20K	30310 - XX	8.75	2.00	2.00	1.03	1.00	2.00	4.75	1.00	1 - 14 UNF - 2B

ELECTRICAL TERMINATION

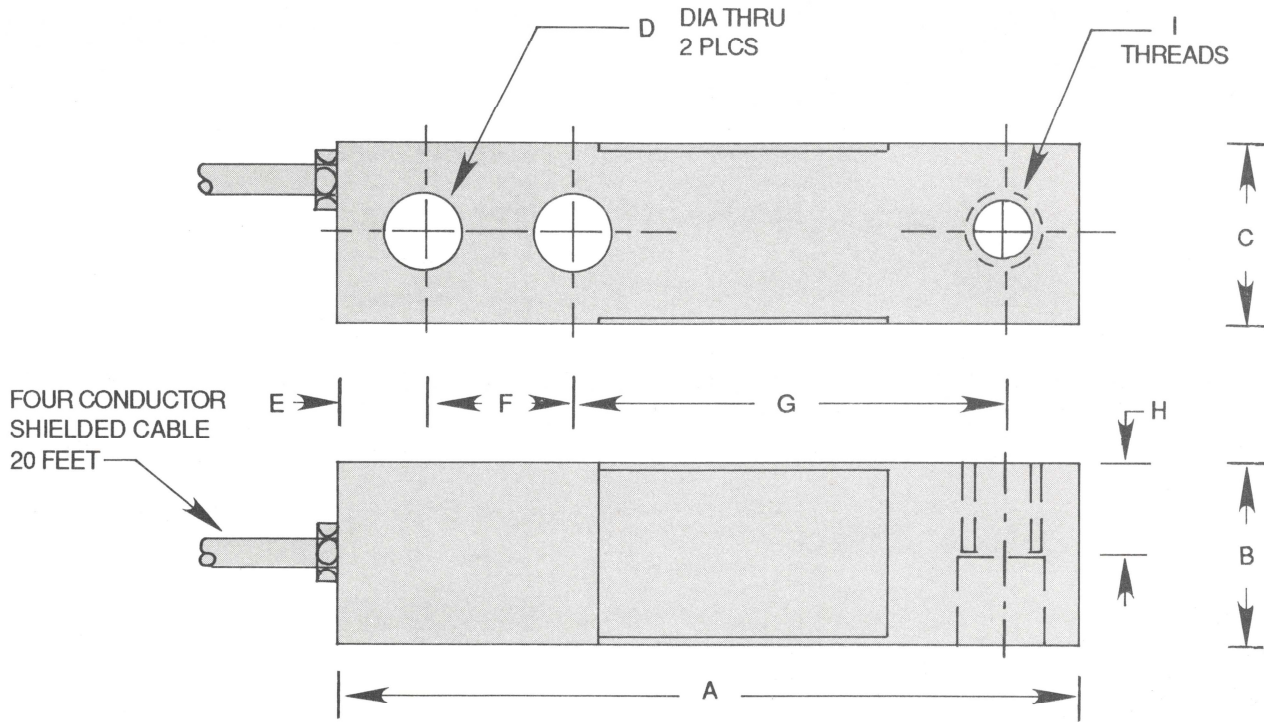
Input Output Shield

Red (+) Green (+)

Black (-) White (-)

COMPRESSION POSITIVE

NOTE: If ordering this cell for use with WM-I or SSWM-I mount specify SS30210-XX CBM



† Factory Mutual Systems approved as intrinsically safe when installed per F.M. approved installation drawing. Contact ARTECH sales department for details.

ORDER INFORMATION:

ARTECH is dedicated to maintaining adequate inventories of its Load Cells to provide the best service in the industry.

Order by the model number and indicate the capacity required.

Custom services such as matched load cell outputs, special threading and custom calibrations are available on an optional basis at an extra cost. **LET US KNOW WHAT YOU NEED...WE LISTEN!**

Represented by:



1966 Keats Drive, Riverside, CA 92501
 (951) 276-3331
 (800) 654-8181
 Fax: (951) 276-4556
 Email: info@artechindustriesinc.com
 www.artechindustriesinc.com

QUALITY • PERFORMANCE • SERVICE
"A PREFERRED NAME IN LOAD CELL TECHNOLOGY"