



**TAJ Carat / Gold Balances**  
**Instruction Manual**

**Balanzas TAJ Carat / Gold**  
**Manual de instrucciones**

**Balances TAJ Carat / Gold**  
**Manuel d'instructions**

**TAJ Carat / Gold Waagen**  
**Bedienungsanleitung**

**Bilance Carat / Gold TAJ**  
**Manuale di istruzioni**

## Compliance

Compliance to the following standards is indicated by the corresponding mark on the product



This product conforms to the EMC directive 2004/108/EC and the Low Voltage Directive 2006/95/EC. The complete declaration of Conformity is available from Ohaus Corporation



## Disposal

In conformance with the European Directive 2002/96 EC on Waste Electrical and Electronic Equipment (WEEE) this device may not be disposed of in domestic waste. This also applies to countries outside the EU, per their specific requirements.

Please dispose of this product in accordance with local regulations at the collecting point specified for electrical and electronic equipment.

If you have any questions, please contact the responsible authority or the distributor from which you purchased this device.

Should this device be passed on to other parties (for private or professional use), the content of this regulation must also be related.

Thank you for your contribution to environmental protection.

## ISO 9001 Registration

In 1994, Ohaus Corporation, USA, was awarded a certificate of registration to ISO 9001 by Bureau Veritas Quality International (BVQI), confirming that the Ohaus quality management system is compliant with the ISO 9001 standard's requirements. On May 15, 2003, Ohaus Corporation, USA, was re-registered to the ISO 9001:2000 standard.

**FCC Note**

This equipment has been tested and found to comply with the limits for a Class B digital device, pursuant to Part 15 of the FCC Rules. These limits are designed to provide reasonable protection against harmful interference in a residential installation. This equipment generates, uses and can radiate radio frequency energy and, if not installed and used in accordance with the instructions, may cause harmful interference to radio communications. However, there is no guarantee that interference will not occur in a particular installation. If this equipment does cause harmful interference to radio or television reception, which can be determined by turning the equipment off and on, the user is encouraged to try to correct the interference by one or more of the following measures:

- Reorient or relocate the receiving antenna.
- Increase the separation between the equipment and receiver.
- Connect the equipment into an outlet on a circuit different from that to which the receiver is connected.
- Consult the dealer or an experienced radio/TV technician for help

**Industry Canada Note**

This Class B digital apparatus complies with Canadian ICES-003.

Cet appareil numérique de la classe B est conforme à la norme NMB-003 du Canada.

## Conformidad

La conformidad a los estándares siguientes es indicada por la marca correspondiente en el producto



Este producto se conforma con el EMC 2004/108/EC directivo y la baja tensión 2006/95/EC directivo. El declaración completo de la conformidad está disponible de Ohaus Corporation.



### Eliminación de residuos

De conformidad con las exigencias de la directiva europea 2002/96 CE sobre residuos de aparatos eléctricos y electrónicos (RAEE), este equipo no puede eliminarse como basura doméstica. Esta prohibición es asimismo válida para los países que no pertenecen a la UE cuyas normativas nacionales en vigor así lo reflejan.

Elimine este producto, según las disposiciones locales, mediante el sistema de recogida selectiva de aparatos eléctricos y electrónicos.

Si tiene alguna pregunta al respecto, diríjase a las autoridades responsables o al distribuidor que le proporcionó el equipo.

Si transfiere este equipo (por ejemplo, para la continuación de su uso con fines privados, comerciales o industriales), deberá transferir con él esta disposición.

Muchas gracias por su contribución a la conservación medioambiental

## Registro ISO 9001

En 1994, Bureau Veritus Quality International (BVQI) le otorgó a Ohaus Corporation, EE.UU., un certificado de registro ISO 9001 el cual confirma que el sistema administrativo de calidad de Ohaus cumple con los requerimientos del estándar ISO 9001. En mayo 15 del 2003, Ohaus Corporation, EE.UU., fue registrada nuevamente al estándar ISO 9001:2000.

## Conformité

La conformité aux normes suivantes est indiquée par la marque correspondante sur le produit



Ce produit se conforme à l'EMC 2004/108/EC directif et la basse tension 2006/95/EC directif. La déclaration complète de la conformité est fournie par Ohaus Corporation.



### Elimination

En conformité avec les exigences de la directive européenne 2002/96 CE relative aux déchets d'équipements électriques et électroniques (DEEE), cet appareil ne doit pas être éliminé avec les déchets ménagers. Logiquement, ceci est aussi valable pour les pays en dehors de l'UE conformément aux réglementations nationales en vigueur.

Veuillez éliminer cet appareil conformément aux prescriptions locales dans un conteneur séparé pour appareils électriques et électroniques.

Pour toute question, adressez-vous aux autorités compétentes ou au revendeur chez qui vous avez acheté cet appareil.

En cas de remise de cet appareil (p. ex. pour une utilisation privée ou artisanale/industrielle), cette prescription doit être transmise en substance.

Merci pour votre contribution à la protection de l'environnement.

## Enregistrement ISO 9001

En 1994, le Bureau Veritas Quality International (BVQI) a octroyé la certification d'enregistrement ISO 9001 à Ohaus Corporation, États-Unis d'Amérique, confirmant que le système de gestion de la qualité Ohaus était conforme aux conditions normalisées de l'ISO 9001. Le 15 mai 2003, Ohaus Corporation, États-Unis d'Amérique, a été ré-enregistrée à la norme ISO 9001:2000.

## **Befolgung**

Befolgung zu den folgenden Standards wird durch die entsprechende Markierung auf dem Produkt angezeigt



Dieses Produkt paßt sich an das EMC richtungweisendes 2004/108/EC und die Niederspannung richtungweisendes 2006/95/EC an. Die komplette Erklärung der Übereinstimmung ist von Ohaus Corporation vorhanden.



## **Entsorgung**

In Übereinstimmung mit den Anforderungen der Europäischen Richtlinie 2002/96 EG über Elektro- und Elektronik-Altgeräte (WEEE) darf dieses Gerät nicht mit dem Hausmüll entsorgt werden. Sinngemäss gilt dies auch für Länder ausserhalb der EU entsprechend den geltenden nationalen Regelungen.

Bitte entsorgen Sie dieses Produkt gemäss den örtlichen Bestimmungen in einer getrennten Sammlung für Elektro- und Elektronikgeräte.

Bei allfälligen Fragen wenden Sie sich bitte an die zuständige Behörde oder den Händler, bei dem Sie dieses Gerät erworben haben.

Bei Weitergabe dieses Gerätes (z.B. für private oder gewerbliche/industrielle Wiederverwendung) ist diese Bestimmung sinngemäss weiterzugeben.

Vielen Dank für Ihren Beitrag zum Schutz der Umwelt.

## **Registrierung nach ISO 9001**

Im Jahr 1994 wurde der Ohaus Corporation, USA, ein Zertifikat der Registrierung nach ISO 9001 vom Bureau Veritas Quality International (BVQI) verliehen, in dem bestätigt wird, dass das Ohaus-Qualitätsmanagementsystem den Anforderungen der Norm ISO 9001 entspricht. Am 15. Mai 2003 wurde die Ohaus Corporation, USA, gemäß der Norm ISO 9001:2000 neu registriert.

## Conformità

La conformità ai seguenti campioni è indicata dal contrassegno corrispondente sul prodotto



Questo prodotto è conforme al EMC 2004/108/EC direttivo e la bassa tensione 2006/95/EC direttivo. La dichiarazione completa di conformità è disponibile da Ohaus Corporation.



## Smaltimento

In conformità a quanto stabilito dalla Direttiva Europea 2002/96 CE in materia di apparecchi elettrici ed elettronici (RAEE), questo strumento non può essere smaltito come i normali rifiuti. Tale presupposto resta valido anche per i Paesi al di fuori dei confini della UE, conformemente alle norme nazionali in vigore.

Si prega quindi di smaltire questo prodotto separatamente e in modo specifico secondo le disposizioni locali relative alle apparecchiature elettriche ed elettroniche.

Per qualsiasi chiarimento, rivolgersi agli enti preposti o al rivenditore dell'apparecchiatura stessa.

In caso di cessione dello strumento (per es. per ulteriore utilizzo privato o aziendale/industriale), si prega di comunicare anche questa disposizione.

Si ringrazia per il contributo alla tutela dell'ambiente.

## Registrazione ISO 9001

Nel 1994, Ohaus Corporation, USA, ha ricevuto il certificato di registrazione ISO 9001 da Bureau Veritas Quality International (BVQI), come conferma che il sistema di gestione della qualità Ohaus risponde alle caratteristiche standard di ISO 9001. Il 15 Maggio 2003, Ohaus Corporation, USA, è stata reregistrata per la normativa ISO 9001:2000.





## 1. INTRODUCTION

This manual contains installation, operation and maintenance instructions for the TAJ Carat and Gold Balances. Please read the manual completely before using the balance.

### 1.1 Safety Precautions

Please follow these safety precautions:

- Verify that the Power Adapter input voltage matches the local power supply voltage.
- Use the balance only in dry locations.
- Do not operate the balance in hostile environments.
- Do not drop loads on the pan.
- Do not place the balance upside down on the pan.
- Service should be performed only by authorized personnel.

### 1.2. Controls

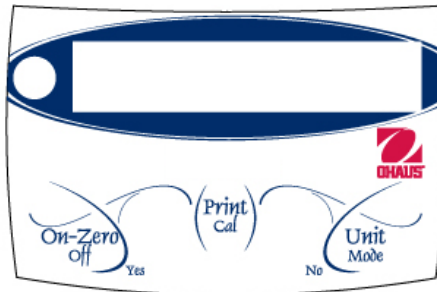


Figure 1-1. Controls.

**TABLE 1-1. CONTROL FUNCTIONS.**

Key Name	Function
On-Zero Off Yes	• Primary function (Short Press) – If balance is Off, turn On. If balance is on, perform Zero/Tare function
	• Secondary function (Long Press) – Turn balance Off.
	• Menu function – (Yes) This key is used to accept the currently displayed setting
Print Cal	• Primary function (Short Press) – Send the current display value to serial port if installed
	• Secondary function (Long Press) – Starts Span calibration as available in Menu

Key Name	Function
Unit Mode No	<ul style="list-style-type: none"> <li>• Primary function (Short Press of Unit)– Advances to next available unit</li> </ul>
	<ul style="list-style-type: none"> <li>• Secondary Function – (Long Press of Unit) Scrolls through available enabled modes and back to the last used unit.</li> </ul>
	<ul style="list-style-type: none"> <li>• Menu function – (No) This key is used to reject the displayed setting and advance to next available setting</li> </ul>

## 2. INSTALLATION

### 2.1 Package Contents

- Balance
- Pan
- Draft Shield (Carat models only)
- Power Adapter
- Calibration Weight (Carat models only)
- Gem Scoop (Carat models only)
- Instruction Manual
- Warranty Card

### 2.2. Location

Use the balance on a firm, steady surface. Avoid locations with excessive air currents, vibrations, heat sources, or rapid temperature changes. Adjust the leveling feet so the bubble is centered within the small circle.

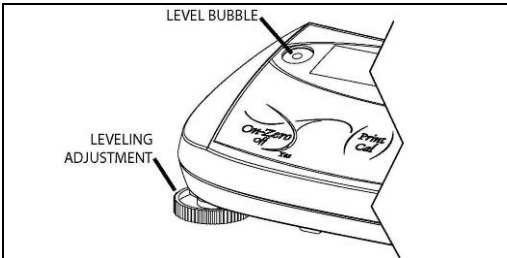


Figure 1-1. Level Adjustment.

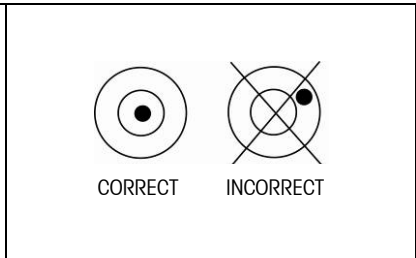




Figure 1-2. Level Bubble.

### 2.3. Transportation Lock, Calibration Lock & Pan Installation

Before using the balance the Transportation Lock must be released. At the bottom of the balance slide the locking pin to the  position. See Figures 2-1.

If the balance is to be calibrated by the user ensure that the Calibration Lock is set to  position. See Figure 2-2.

Install the metal pan over the plastic sub-platform.

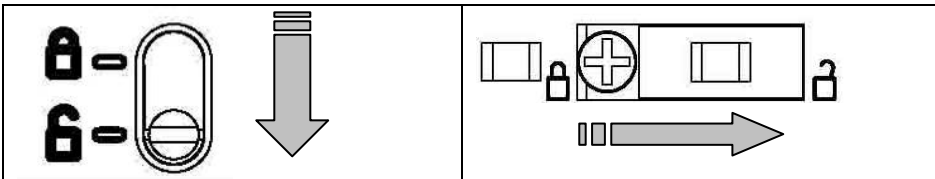
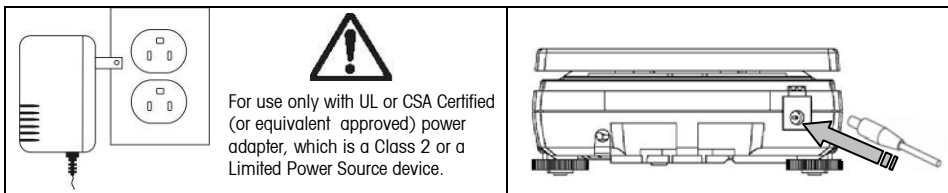


Figure 2-1. Release Transportation Lock.

Figure 2-2. Release Calibration Lock.

### 2.4 Connect Power

A Power Adapter is used to power the balance. Connect the Power Adapter to the power outlet (see Figure 2-3) and the power plug to the back of the balance (see Figure 2-4).

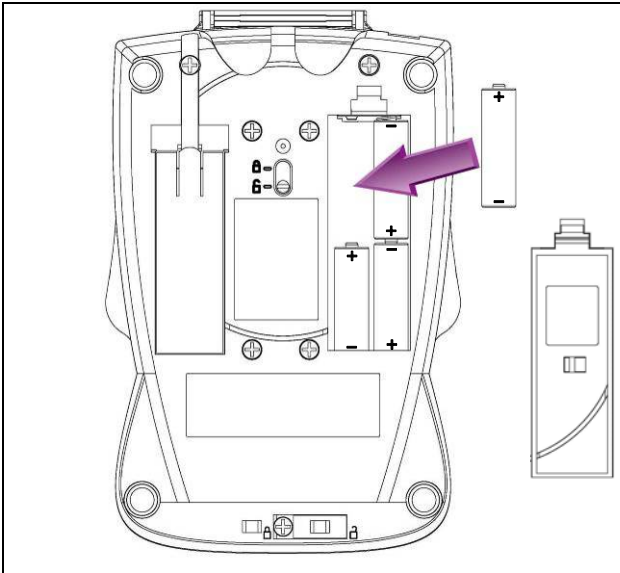


Figures 2-3. Power Adapter.

Figure 2-4. Power Plug.

## 2.5 Battery Installation and Use

The balance may also be powered by batteries. Remove the battery cover and install four alkaline AA (LR6) type batteries, (not included). Refer to Figure 2.5 to properly install the batteries. Under battery power a battery symbol is shown on the left side of the display. The Auto-Off setting is useful for conserving battery power, see section 4.2.1.



Figures 2-5. Battery Installation.

## 2.6 Draft Shield Installation (Carat models only)

Lay the dome shaped draft shield over the notched metal ring with the open end facing towards the back of the balance. With downward pressure rotate the draft shield allowing the bottom edges to slide under the notches of the metal ring. Continue rotating the draft shield until the opening is facing forward. See Figure 3-1.

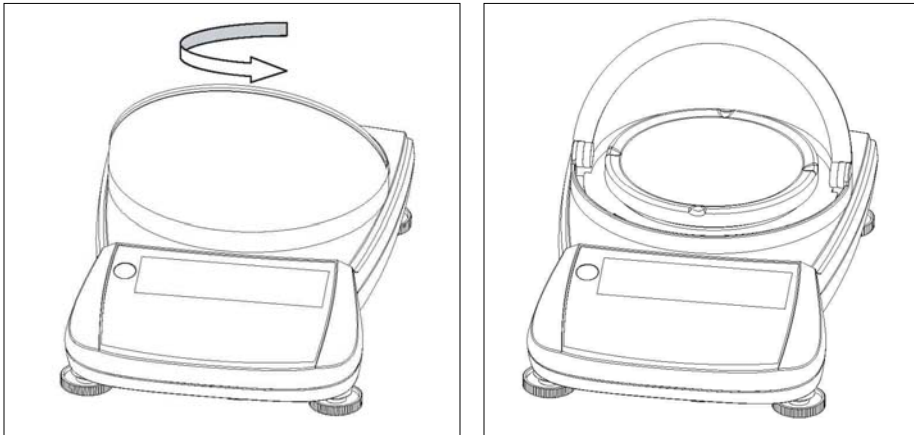


Figure 3-1. Draft Shield Installation.

## 2.7 Initial Calibration

Power on the balance by pressing **On-Zero**. Allow at least one minute for the balance to stabilize before calibrating. Press and hold the **Print/Cal** button until [E<sub>RL</sub>] is displayed. The display flashes [-E-] while zero reading is taken. The display flashes the required span mass. Put the indicated calibration mass on the pan and press **Yes**. The display flashes [-E-]. When calibration is complete, [done] is displayed.

**Note:** Calibration is also available in the Setup menu, see section 4.2.1.

### 3. OPERATION

Press **Zero** to zero the balance and then place objects to be weighed on the pan.

Some weighing Modes and Units of measure may initially be unavailable. They can be enabled in the Main menu Unit [U.n. t.t], see section 4.

#### 3.1 Weighing Units

Press **Unit** to advance to next available weighing Unit.

#### 3.2 Weighing Modes

To access other weighing modes - Press and hold **Mode** until display shows desired mode. To exit weighing modes - Press and hold **Mode** until the prior weighing unit is shown.

##### 3.2.1 Parts Count Mode

Use the Count mode to count parts of uniform weight

To begin Parts Counting, press **On-Zero** to tare a container or to set the display to zero.

Access Count Mode - Press and hold **Mode** until the display shows **PC**. [t.t.r.APW] is displayed.

Establish an Average Piece Weight (APW) - Each time a new type of part is to be counted, the nominal weight of one piece (Average Piece Weight) must be established using a small quantity of pieces.

With Clear APW [t.t.r.APW] displayed, press **No** to use the previously saved APW, or press **Yes** to establish a new APW. The display indicates the number of pieces to be used to establish the new APW.

If a different sample size is preferred, press **No** until the desired sample size is displayed (5, 10, 20, 50, or 100). Put the specified number of pieces on the pan. Press **Yes** to accept new APW. After the new APW is established, the number of pieces is shown on the display.

APW Enhancement - Since the weight of each piece may vary slightly, APW Enhancement (when enabled -  $\Sigma \alpha \epsilon . \epsilon \alpha \eta$ ) may be used to increase the accuracy of the count. The Average Piece Weight is automatically recalculated if the next stable weight is less than or equal to 2 times the original sample weight. Enhancement will then continue provided that each additional weight is less than or equal to the previous weight. The display shows [ $\alpha \rho \mu . \epsilon \alpha \eta$ ] each time the APW is recalculated.

Establish new APW - Press and hold Unit until "PC" blinks.

Count - Press **Zero** button. Place the quantity to be counted on the pan.

Exit - Press and hold **Mode** until the prior weighing unit is shown.

## 4. SETTINGS

The Settings allows the user to customize the balance.

### 4.1 Menu Structure

Table 4-1 illustrates the menu structure.

**TABLE 4-1. MENU.**

<u>SEt.u.P</u>		<u>U.n.i.t.</u>	<u>End.</u>
<b>A-OFF</b>	<b>On</b> <b>OFF</b>	<b>U.n.i.t g On*</b> <b>OFF</b>	Press Yes or No
<b>L.Wht</b>	<b>On</b> <b>Auto</b> <b>OFF</b>	<b>U.n.i.t kg On</b> <b>OFF</b> <b>U.n.i.t lb On</b> <b>OFF</b>	
<b>SPAN</b>	Press Yes or No	<b>U.n.i.t oz On</b> <b>OFF</b>	
<b>Lin</b>	Press Yes or No	<b>U.n.i.t ozt On</b> <b>OFF</b>	
<b>End</b>	Press Yes or No	<b>U.n.i.t GN On</b> <b>OFF</b> <b>U.n.i.t ct On*</b> <b>OFF</b> <b>U.n.i.t t hk On</b> <b>OFF</b> <b>U.n.i.t t sg On</b> <b>OFF</b> <b>U.n.i.t t tw On</b> <b>OFF</b> <b>U.n.i.t dwt On</b> <b>OFF</b> <b>U.n.i.t tola On</b> <b>OFF</b> <b>U.n.i.t tical On</b> <b>OFF</b> <b>U.n.i.t PC Count</b> <b>Ent.Enh</b> <b>OFF</b>	
	Press Yes or No		

**Notes:**

Unit	Symbol	Factor
Gram	g	1
Grain	GN	15.432
Carat	ct	5
Kilogram	kg	0.001
Ounce	oz	35.273e-3
Ounce Troy	ozt	32.150e-3
Taels hk	t hk	26.718e-3
Taels sg	t sg	26.455e-3
Taels tw	t tw	26.668e-3
Tola	tola	85.735e-3
Tical	tical	61.239e-3
Penny	dwt	64.301e-3
Pound	lb	2.204e-3

Modes

Parts Count PC

Default menu settings are shown in **bold**.

\*Gold models have g unit as default.

\*Carat models have Ct unit as default.

kg and lb are not available in lower capacity models. See Table 6-1.



## 4.2 Menu Navigation

Main level menus are identified by decimal points between each letter, for example [5.E.E.U.P].

**Enter Menu:** With the balance off, press and hold the **On** button. Continue holding the **On** button until [5.E.E.U.P] is displayed. Each main menu is entered by pressing **Yes**. Advance to the next main menu by pressing **No**.

**Changing Settings:** Within each main menu are sub-menus. Enter each sub-menu by pressing **Yes**. Advance to the next sub-menu by pressing **No**. To accept the displayed sub-menu setting, press **Yes**. To advance to the next setting, press **No**.

**Menu Exit:** The last item in each sub-menu is [E.n.d]. Press **Yes** to return to the main menu. The last item in the main menu is [E.n.d]. Press **Yes** to return to the previous weighing mode.

### 4.2.1 Setup Menu [5.E.E.U.P.]

The Setup menu contains the following sub-menus:

**Auto-Off [A-OFF]:** Auto Off settings: **On**, **OFF\*\***.  
Setting [On] will automatically turn the balance off after no activity is detected for 4 minutes.

**Light [L.ON]:** Backlight settings: **On**, **OFF\*\***, **Auto**.  
Selecting [Auto] will turn the backlight on when the balance detects any activity. (Minimum 2 seconds)

**Span Calibration [SPAN]:** Uses two weight values: Zero and a value at or near the full capacity of the balance. Span calibration should be performed if the balance is repositioned or when the room temperature changes significantly.

**Linearity Calibration [L.n]:** Uses three weight values: Zero, a mid-range value and full capacity. Generally this calibration is not required unless testing shows that the linearity error exceeds the linearity tolerance in the specification table. Accuracy of weights is important to maintain weighing integrity.

\*\*Selecting [OFF] for these settings will reduce battery consumption.


**4.2.2 Unit Menu [U.N. 1.2]**

Each Weighing Unit may be individually set to **ON** or **OFF**.  
See Table 4-1 for the symbols associated with each Unit or Mode.

**4.2.3 Other Menus**

Additional Menus are available if a serial interface option is installed in the balance.  
These menus are explained within the user manual of each option kit.

**4.3. Calibration Lock Feature**

Sliding the switch fully to the  lock position prevents calibration of the balance. Using a paper or wire seal will physically secure the switch if required.

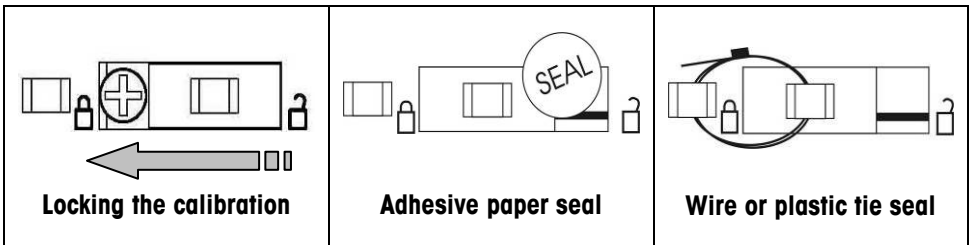


Figure 4-1. Locking and Sealing the Calibration Lock Switch.

**4.4 Weigh Below Feature**

The Weigh Below Hook is stored inside the battery cover. Thread the hook into the access hole at the bottom of the balance. Mount the balance onto an appropriate assembly that allows free working space below the hook. See Figure 4-2. **Note:** Never allow the balance to rest directly on the hook.

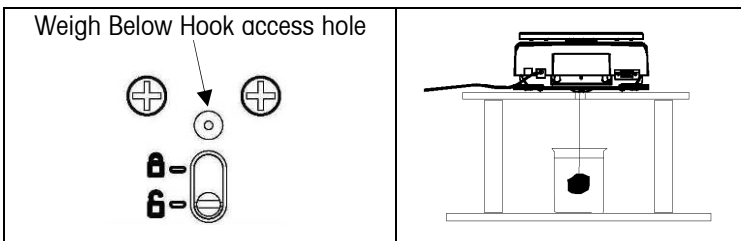




Figure 4-2. Setup for using the Weigh Below Hook.

## 5. MAINTENANCE

### 5.1 Troubleshooting

The following table lists common problems and possible causes and remedies. If the problem persists, contact Ohaus or your authorized dealer.

**TABLE 5-1. TROUBLESHOOTING.**

Symptom	Possible Cause	Remedy
Cannot turn on	<ul style="list-style-type: none"> <li>No power to balance</li> <li>Empty or incorrectly installed batteries</li> </ul>	<ul style="list-style-type: none"> <li>Verify AC adapter connections and voltage.</li> <li>Replace batteries, check polarity.</li> </ul>
Poor accuracy	<ul style="list-style-type: none"> <li>Improper calibration</li> <li>Unstable environment</li> <li>Transportation Lock is set</li> <li>Debris touching the pan</li> <li>Draft shield is touching the pan or sample.</li> </ul>	<ul style="list-style-type: none"> <li>Perform calibration.</li> <li>Move balance to suitable location.</li> <li>Slide the pin to the unlocked position.</li> <li>Clean any debris next to or under the pan.</li> <li>Check that pan is fully seated, check sample height.</li> </ul>
Cannot calibrate	<ul style="list-style-type: none"> <li>Unstable environment</li> <li>Incorrect calibration mass</li> <li>Transportation Lock is set</li> <li>Calibration Lock switch is set</li> </ul>	<ul style="list-style-type: none"> <li>Move the balance to a suitable location.</li> <li>Use correct calibration masses.</li> <li>Slide the pin to the unlocked position.</li> <li>Slide the switch to the unlocked position.</li> </ul>
Err 1	<ul style="list-style-type: none"> <li>Invalid Checksum data.</li> </ul>	<ul style="list-style-type: none"> <li>Cycle balance off/on.</li> <li>Contact Ohaus or authorized dealer.</li> </ul>
Err 2	<ul style="list-style-type: none"> <li>Over-load or Under-load condition.</li> <li>Transportation Lock is set</li> <li>Improper calibration</li> </ul>	<ul style="list-style-type: none"> <li>Verify pan is installed and/or excess load is removed from pan.</li> <li>Slide the pin to the unlocked position.</li> <li>Perform calibration.</li> </ul>
Err 4	<ul style="list-style-type: none"> <li>Invalid calibration mass.</li> </ul>	<ul style="list-style-type: none"> <li>Verify correct calibration mass is being used.</li> </ul>
Err 8	<ul style="list-style-type: none"> <li>RS232 buffer is full.</li> </ul>	<ul style="list-style-type: none"> <li>Cycle balance Off/On.</li> <li>Check RS232 settings in balance and computer when RS232 option is installed.</li> </ul>
Err 9	<ul style="list-style-type: none"> <li>Internal data error.</li> </ul>	<ul style="list-style-type: none"> <li>Contact Ohaus or authorized dealer.</li> </ul>
 (Flashing)	<ul style="list-style-type: none"> <li>Battery power is low.</li> </ul>	<ul style="list-style-type: none"> <li>Replace batteries soon.</li> </ul>
 <b>LOW</b>	<ul style="list-style-type: none"> <li>Battery power is too low for proper operation.</li> </ul>	<ul style="list-style-type: none"> <li>Replace batteries.</li> </ul>

## 5.2 Service Information

If the troubleshooting section does not resolve or describe your problem, contact your authorized Ohaus service agent. For service assistance or technical support in the United States call toll-free 1-800-526-0659 between 8:00 AM and 5:00 PM EST. An Ohaus product service specialist will be available to provide assistance. Outside the USA, please visit our web site, [www.ohaus.com](http://www.ohaus.com), to locate the Ohaus office nearest you.

## 6. TECHNICAL DATA

### 6.1 Specifications

**TABLE 6-1. SPECIFICATIONS.**

Model	TAJ203	TAJ202	TAJ402	TAJ602	TAJ501	TAJ2001	TAJ4001	TAJ6000
Capacity (g)	200 ct	200	400	600	500	2000	4000	6000
Readability (g)	0.005 ct	0.01	0.01	0.01	0.1	0.1	0.1	1
Linearity	±3	±1	±1	±2	±1	±1	±1	±1
Repeatability (g)	0.015 ct	0.01	0.01	0.01	0.1	0.1	0.1	1
Span Mass (g)	20*	200	200	300	300	1000	2000	3000
Linearity Mass (g)	20 40	100 200	200 400	300 600	300 500	1000 2000	2000 4000	3000 6000
Weighing Units/Modes	Gram, Grain, Carat, Kilogram <sup>1</sup> , Ounce, Ounce Troy, Taels Hong Kong, Taels Taiwan, Taels Singapore, Tola, Tical, Pennyweight, Pound <sup>2</sup> , Parts Counting							
Tare Range	To Capacity by Subtraction							
Stabilization Time (sec)	< 3							
Operating Temperature Range	50° - 104°F / 10° - 40°C							
Operating Humidity Range	30%-90%							
Pan Size (mm)	100 dia.	137x140						

\* Included with Balance

<sup>1</sup> TAJ2001, TAJ4001, TAJ6000 models only.

<sup>2</sup> TAJ501, TAJ602, TAJ2001, TAJ4001, TAJ6000 models only.

## 6.2. Accessories

**TABLE 6-2. ACCESSORIES.**

<b>ACCESSORY</b>	<b>PART NUMBER</b>
RS232 Interface Kit	72206287
USB interface Kit	72206288
Specific Gravity kit	72202685
Security Device	76288-01
Serial Printer	<a href="http://www.ohaus.com">www.ohaus.com</a> or contact dealer
Adapter, RS232 to Serial Printer	80500572
Auxiliary Display	TAD7
Calibration masses	<a href="http://www.ohaus.com">www.ohaus.com</a> or contact dealer

6.3 Drawings

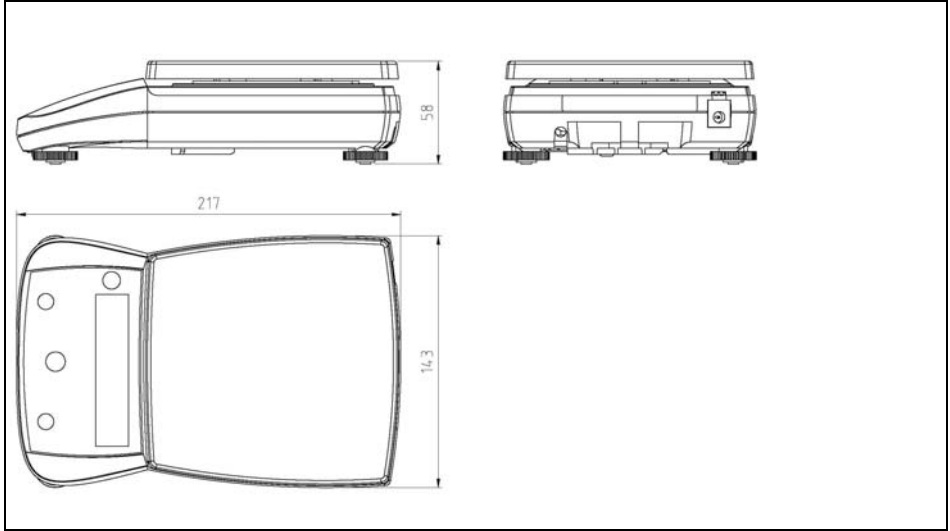


Figure 6-1 . Overall Dimensions, Gold Model.

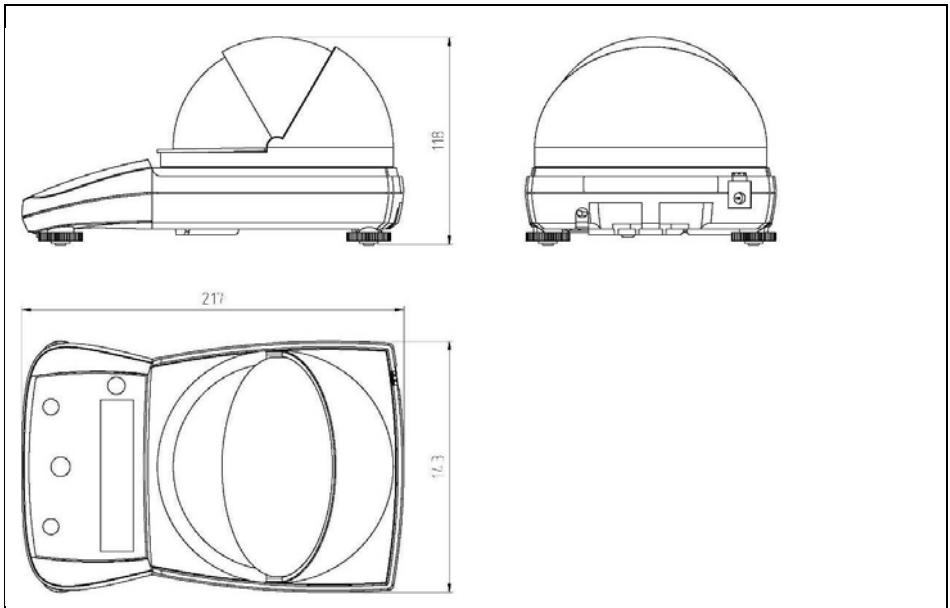


Figure 6-2. Overall Dimensions, Carat Model.

**LIMITED WARRANTY**

Ohaus products are warranted against defects in materials and workmanship from the date of delivery through the duration of the warranty period. During the warranty period Ohaus will repair, or, at its option, replace any component(s) that proves to be defective at no charge, provided that the product is returned, freight prepaid, to Ohaus.

This warranty does not apply if the product has been damaged by accident or misuse, exposed to radioactive or corrosive materials, has foreign material penetrating to the inside of the product, or as a result of service or modification by other than Ohaus. In lieu of a properly returned warranty registration card, the warranty period shall begin on the date of shipment to the authorized dealer. No other express or implied warranty is given by Ohaus Corporation. Ohaus Corporation shall not be liable for any consequential damages.

As warranty legislation differs from state to state and country to country, please contact Ohaus or your local Ohaus dealer for further details.





## 1. INTRODUCCIÓN

Este manual contiene instrucciones de instalación, operación y mantenimiento para las básculas de TAJ Carat y de Gold. Por favor lea completamente el manual antes de usar la báscula.

### 1.1 Precauciones de seguridad

Por favor siga estas precauciones de seguridad:

- Verifique que el voltaje de entrada del adaptador de energía coincida con el voltaje del suministro de energía local.
- Use la báscula únicamente en lugares secos.
- No opere la báscula en ambientes hostiles.
- No deje caer objetos en el plato de pesaje.
- No coloque la báscula al revés sobre el plato de pesaje.
- El servicio debe ser realizado solamente por personal autorizado.

### 1.2. Controles

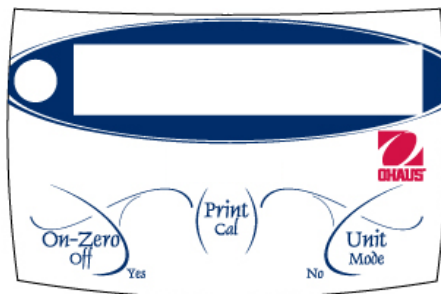


Figura 1-1. Controles.

**TABLA 1-1. FUNCIONES DE CONTROL.**

Nombre de la tecla	Función
On-Zero Off Yes	• Función primaria (Pulsación corta) – Si la báscula está apagada, la enciende. Si la báscula está encendida, realiza la función Cero/Tarar
	• Función secundaria (Pulsación larga) – Apaga la báscula.
	• Función de menú – (Yes) Esta tecla se usa para aceptar la configuración mostrada actualmente
Print Cal	• Función primaria (Pulsación corta) – Envía el valor actual mostrado al puerto de serie si se encuentra instalado
	• Función secundaria (Pulsación larga) – Inicia la calibración de extensión (Span calibration) como está disponible en el menú

Nombre de la tecla	Función
<b>Unit Mode No</b>	<ul style="list-style-type: none"> <li>• Función primaria (Pulsación corta) – Avanza a la siguiente unidad disponible</li> </ul>
	<ul style="list-style-type: none"> <li>• Función secundaria: (Presión larga de la unidad de medida). Avanza a través de los modos habilitados disponibles y regresa a la última unidad usada.</li> </ul>
	<ul style="list-style-type: none"> <li>• Función de menú – (No) Esta tecla se usa para rechazar la configuración mostrada y avanzar a la siguiente configuración disponible</li> </ul>

## 2. INSTALACIÓN

### 2.1 Contenido del paquete

- Báscula
- Plato de pesaje
- Protector provisional (sólo modelos para quilates)
- Adaptador de corriente
- Peso de calibración (sólo modelos para quilates)
- Cucharón para joyas (sólo modelos para quilates)
- Manual de instrucciones
- Tarjeta de garantía

### 2.2. Ubicación, Nivelación

Use la báscula en una superficie firme y segura. Evite lugares con corrientes de aire excesivas, vibraciones, fuentes de calor o cambios bruscos de temperatura. Ajuste las patas de nivelación de manera que la burbuja quede en el centro del círculo pequeño.

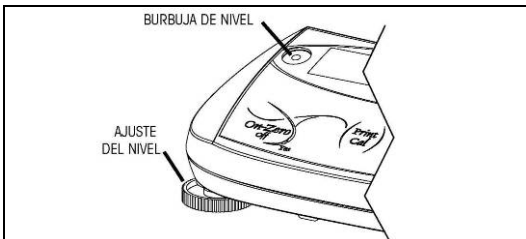


Figura 1-1. Ajuste del nivel.

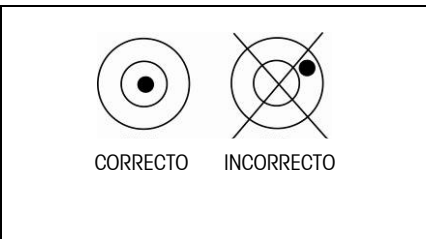




Figura 1-2. Burbuja de nivel.

### 2.3. Seguro para Transporte, Seguro de Calibración e Instalación del Plato de Pesaje

Debe soltar el seguro de transporte antes de usar la báscula. En la parte inferior de la báscula, deslice la patilla de seguridad a la posición . Vea la Figura 2-1.

Si la báscula va a ser calibrada por el usuario, compruebe que el seguro de calibración esté en la posición . Vea la Figura 2-2.

Instale el plato de metal sobre la subplataforma plástica.

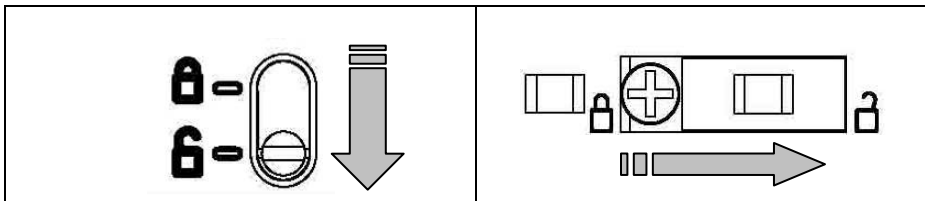


Figura 2-1. Suelte el seguro para transporte.

Figura 2-2. Suelte el seguro de calibración.

### 2.4 Conecte la Energía

Para proveer energía a la báscula se usa un adaptador de corriente. Conecte el adaptador de corriente a la salida de corriente (vea la figura 2-3) y el cable de corriente a la parte posterior de la báscula (vea la figura 2-4)

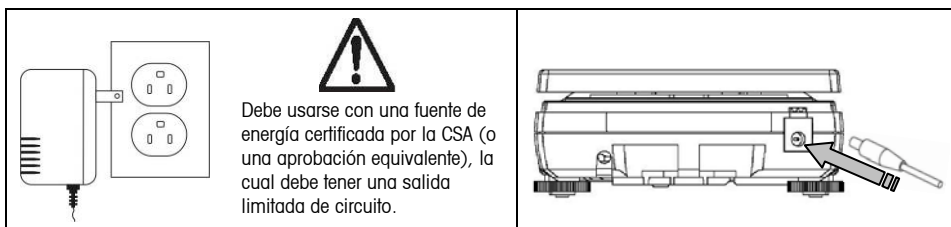



Figura 2-3. Adaptador de corriente.

Figura 2-4. Cable de corriente.

 Debe usarse con una fuente de energía certificada por la CSA (o una aprobación equivalente), la cual debe tener una salida limitada de circuito.

## 2.5 Uso e Instalación de las Baterías

La báscula también puede alimentarse con baterías. Retire la cubierta de baterías e instale cuatro baterías alcalinas tipo AA (LR6), (no se incluyen). Consulte la figura 2.5 para instalar correctamente las baterías. Cuando se trabaja con baterías, en el lado izquierdo de la pantalla se muestra un símbolo de batería. La configuración de apagado automático es útil para conservar la energía de las baterías, vea la sección 4.2.1.

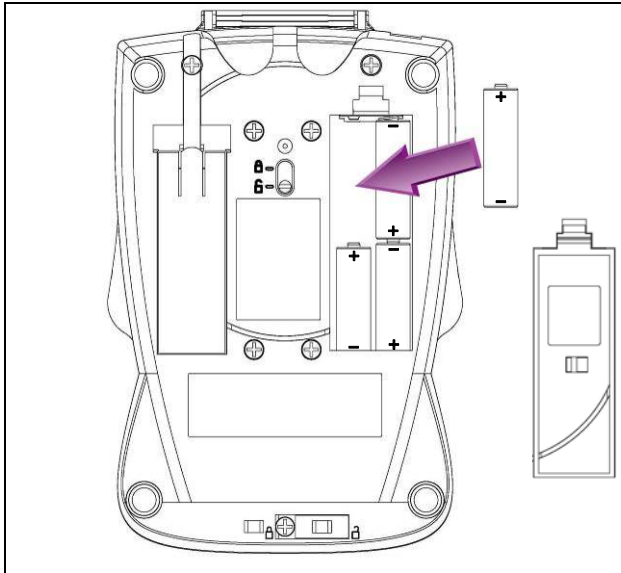


Figura 2-5. Instalación de las baterías.

## 2.6 Instalación de la pantalla de protección contra corrientes de aire (sólo en los modelos para quilates)

Coloque la pantalla esférica sobre el aro metálico ranurado con el extremo abierto hacia la parte posterior de la báscula. Presione hacia abajo y gire la pantalla protectora permitiendo que los bordes inferiores se deslicen debajo de las muescas del aro metálico. Continúe girando la pantalla protectora hasta que la abertura quede en el frente. Vea la Figura 3-1.

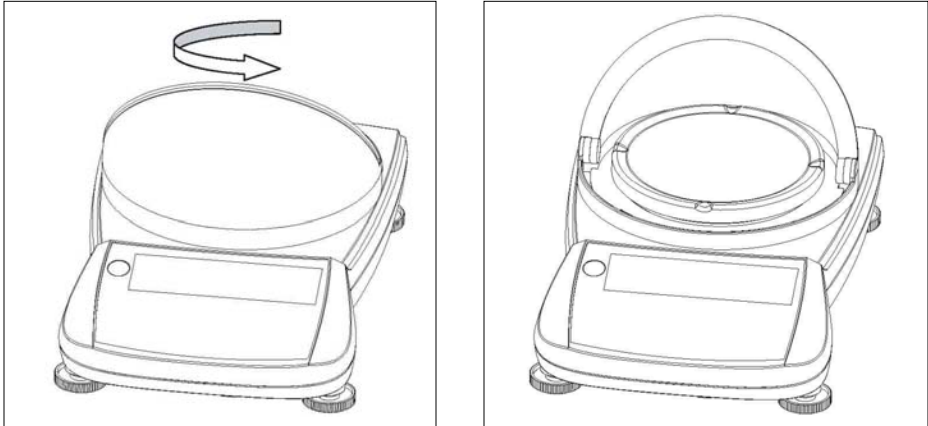


Figura 3-1. Instalación de la pantalla de protección contra corrientes de aire.

## 2.7 Calibración Inicial

Encienda la báscula presionando **On-Zero**. Espere por lo menos un minuto para que la báscula se estabilice antes de calibrar. Mantenga presionado el botón **Print/Cal** hasta que [g] se muestre. La pantalla destella [-E-] mientras se toma la lectura de cero. La pantalla destella la masa de extensión requerida. Coloque la masa de calibración indicada en el plato y presione **Yes**. La pantalla destella [-E-]. Cuando la calibración ha terminado, se muestra [done].

**Nota:** La calibración también está disponible en el menú de configuración, vea la sección 4.2.1.

### 3. OPERACIÓN

Presione **Zero** para configurar la báscula en cero y luego coloque los objetos a pesar en el plato de pesaje.

Algunos Modos y unidades de pesaje pueden no estar disponibles inicialmente. Pueden habilitarse en la unidad del menú principal [U.N. 1.4], vea la sección 4.

#### 3.1 Unidad de Pesaje

Presione **Unit** para avanzar a la siguiente unidad de pesaje disponible.

#### 3.2 Modos de pesaje

Para ingresar a otros modos de pesaje, mantenga presionado **Mode** hasta que aparezca el modo deseado. Para salir de los modos de pesaje, presione **Mode** hasta que aparezca la unidad de pesaje previa.

##### 3.2.1 Modo de conteo de piezas

Utilice **PC** modo para contar piezas que tengan peso uniforme.

Para iniciar el conteo de piezas, presione **On-Zero** para tarar un contenedor o para poner la pantalla en cero.

Ingresar al modo de conteo: Mantenga presionado **Mode** hasta que la pantalla muestre **PC**. Aparece [C.L.F.APW].

Establecer un peso de piezas promedio (APW): Cada vez que se vaya a contar un tipo nuevo de pieza, se debe establecer el peso nominal de una pieza (APW) usando una cantidad pequeña de piezas.

Con la función para borrar el APW [C.L.F.APW] en la pantalla, presione **No** para usar el APW guardado anteriormente, o presione **Yes** para establecer un nuevo APW. La pantalla indica el número de piezas que se van a usar para establecer el nuevo APW.

Si se prefiere un tamaño de muestra diferente, presione **No** hasta que aparezca el tamaño de muestra deseado (5, 10, 20, 50 ó 100). Coloque el número de piezas especificadas sobre la bandeja de pesaje. Presione **Yes** para aceptar un nuevo APW. Una vez que se haya establecido el nuevo APW, el número de piezas aparece en la pantalla.

Optimización del APW: Puesto que el peso de cada pieza puede variar ligeramente, la optimización del APW (cuando está habilitada - **ON.OFF**) puede usarse para aumentar la exactitud del conteo. El peso promedio de la pieza (APW) se recalcula automáticamente si el siguiente peso estable es menos o igual que dos veces el peso de la muestra original. La optimización continuará entonces siempre y cuando cada peso adicional sea menor o igual que el peso anterior. La pantalla muestra [**APW.OFF**] cada vez que se recalcula el APW.

Establecer nuevo APW: Mantenga presionado **Unit** hasta que destelle **PC**.

Contar: Presione el botón **Zero**. Coloque sobre la bandeja la cantidad que va a contar.

Salir: Mantenga presionado **Mode** hasta que aparezca la unidad de pesaje previa.

## 4. CONFIGURACIONES

Las configuraciones permiten al usuario personalizar la báscula.

### 4.1 Estructura del Menú

La tabla 4-1 ilustra la estructura del menú.

TABLA 4-1. MENU.

<u>S.E.T.U.P</u>	<u>U.n.i.t.</u>	<u>End.</u>	<u>Notes:</u>
<b>A-OFF</b> On <b>OFF</b>	U.n. i.t. g On*	Presione Yes or No	<u>Unidad</u> <u>Simboloo</u> <u>Factor</u> Gramo   g   1
<b>L.Ght</b> On Auto <b>OFF</b>	U.n. i.t. kg On <b>OFF</b> U.n. i.t. lb On <b>OFF</b>		Grano   GN   15.432 Quilate   ct   5 Kilogramo   kg   0.001 Onza   oz   35.273e-3
<b>SPAN</b> Presione Yes o No	U.n. i.t. oz On <b>OFF</b>		Onza troy   ozt   32.150e-3 Teals hk   t hk   26.718e-3
<b>Lin</b> Presione Yes o No	U.n. i.t. ozt On <b>OFF</b>		Teals sg   t sg   26.455e-3 Teals tw   t tw   26.668e-3
<b>End</b> Presione Yes o No	U.n. i.t. GN On <b>OFF</b> U.n. i.t. ct On* <b>OFF</b> U.n. i.t. t hk On <b>OFF</b> U.n. i.t. t sg On <b>OFF</b> U.n. i.t. t tw On <b>OFF</b> U.n. i.t. dwt On <b>OFF</b> U.n. i.t. tola On <b>OFF</b> U.n. i.t. tical On <b>OFF</b> U.n. i.t. PC Count Cnt.Enh <b>OFF</b>		Tola   tola   85.735e-3 Tical   tical   61.239e-3 Penny   dwt   64.301e-3 Libra   lb   2.204e-3
	<b>End</b> Presione Yes o No		<u>Modos</u> Conteo de piezas PC  Las configuraciones de fábrica están en <b>negrita</b> .  *Los modelos para oro tienen la unidad g como predeterminada.  *Lo modelos para quilates tienen la unidad ct como predeterminada.  kg y lb no están disponibles en modelos más bajos de la capacidad. Vea la tabla 6-1



## 4.2 Menú de navegación

Los menús de nivel principal están identificados con puntos decimales entre cada letra, por ejemplo [5.É.É.Ú.Ρ].

**Acceso al Menú:** Con la báscula apagada, mantenga presionado el botón **On**. Continúe presionando el botón **On** hasta que aparezca [5.É.É.Ú.Ρ]. Se accede a cada menú presionando **Yes**. Avance al siguiente menú presionando **No**.

**Cambio de las Configuraciones:** En cada menú hay submenús. Se accede a cada submenú presionando **Yes**. Avance al siguiente submenú presionando **No**. Para aceptar la configuración del submenú mostrado, presione **Yes**. Para avanzar a la siguiente configuración presione **No**.

**Salida del Menú:** El último ítem en cada submenú es [É.Ú.É]. Presione **Yes** para regresar al menú principal. El último ítem en el menú principal es [É.Ú.É]. Presione **Yes** para regresar al modo de pesaje previo.

### 4.2.1 Menú de configuración [5.É.É.Ú.Ρ.]

El menú de configuración contiene los siguientes submenús:

**Apagado automático [Α-ΟΦΦ]:** Configuraciones de apagado automático: **On** **ΟΦΦ\*\***. Establecer [**On**] apagará automáticamente la báscula después de que no se detecte actividad en 4 minutos.

**Luz [Λ .ΟΗΕ]:** Configuraciones de luz de fondo: Encendida (**On**), apagada (**ΟΦΦ**)\*\* o automática (**Αυτο**). Al seleccionar [**Αυτο**] enciende la luz de fondo cuando la báscula detecta cualquier actividad. (Mínimo 2 segundos.)

**Calibración de extensión [5ΡΡΡ]:** Utiliza dos valores de peso: Cero y un valor en o cerca de la capacidad total de la báscula. La calibración de extensión debe ser realizada si la báscula se cambia de posición o cuando la temperatura del cuarto cambia significativamente.

**Calibración de linealidad [L. n]:** Utiliza tres valores de peso: Cero, un valor de rango medio y capacidad total. Generalmente esta calibración no se requiere a menos que las pruebas muestren que el error de linealidad excede la tolerancia de linealidad en la tabla de especificación. La exactitud de los pesos es importante para mantener la integridad del pesaje.

\*\*Al seleccionar [OFF] para estos parámetros se reduce el gasto de la batería.

**4.2.2 Menú de Unidades [U. n. t. t]**

Cada unidad de pesaje o modo puede configurarse individualmente en ON u OFF. Vea la tabla 4-1 para los símbolos asociados con cada unidad o modo.

**4.2.3 Otros Menús**

Los menús adicionales están disponibles si está instalada una opción de interfase serial en la báscula. Estos menús se explican en el manual del usuario de cada kit opcional.

**4.3. Opción de Bloqueo de Calibración**


Deslizar totalmente el interruptor a la posición de seguro  previene la calibración de la báscula. Usar un papel o un sello de alambre asegurará el interruptor si se requiere.



Figura 4-1. Bloqueo y sellado del interruptor del seguro de calibración.

## 4.4 Opción de peso por abajo

El gancho de peso por abajo está guardado dentro de la cubierta de baterías. Inserte el gancho dentro el orificio de acceso en la parte inferior de la báscula. Monte la báscula en un soporte apropiado que permita un espacio de trabajo libre debajo del gancho. Vea la figura 4-2. **Nota:** No permita nunca que la báscula descansa directamente sobre el gancho.



Figura 4-2. Configuración para usar el gancho de peso por abajo.


## 5. MANTENIMIENTO

### 5.1 Solución de problemas

La tabla siguiente muestra problemas comunes, así como posibles causas y soluciones. Si el problema persiste, contacte a Ohaus o a su distribuidor autorizado.

**TABLA 5-1. SOLUCIÓN DE PROBLEMAS.**

Síntoma	Posible causa	Solución
No se puede encender	<ul style="list-style-type: none"> <li>No hay energía hacia la báscula</li> <li>Baterías sin energía o instaladas incorrectamente</li> </ul>	<ul style="list-style-type: none"> <li>Verifique las conexiones y voltaje del adaptador de corriente.</li> <li>Reemplace las baterías, revise la polaridad.</li> </ul>
Exactitud pobre	<ul style="list-style-type: none"> <li>Calibración incorrecta</li> <li>Ambiente inestable</li> <li>El seguro para transporte está habilitado</li> <li>Hay desechos tocando la bandeja</li> <li>El protector provisional está tocando el plato de pesaje o la muestra.</li> </ul>	<ul style="list-style-type: none"> <li>Realice la calibración</li> <li>Mueva la báscula a una ubicación apropiada.</li> <li>Deslice la patilla a la posición de desbloqueo.</li> <li>Limpie cualquier desecho cercano o debajo del plato de pesaje.</li> <li>Revise que el plato de pesaje esté bien colocado, revise la altura de la muestra.</li> </ul>
No se puede calibrar	<ul style="list-style-type: none"> <li>Ambiente inestable</li> <li>Masa de calibración incorrecta</li> <li>El seguro para transporte está habilitado</li> <li>El seguro de calibración está habilitado</li> </ul>	<ul style="list-style-type: none"> <li>Mueva la báscula a una ubicación apropiada.</li> <li>Utilice masas de calibración correctas.</li> <li>Deslice la patilla a la posición de desbloqueo.</li> <li>Deslice el interruptor a la posición de desbloqueo.</li> </ul>

<b>Síntoma</b>	<b>Posible causa</b>	<b>Solución</b>
Err 1	<ul style="list-style-type: none"> <li>• Datos de chequeo de suma inválidos.</li> </ul>	<ul style="list-style-type: none"> <li>• Apague y encienda la báscula.</li> <li>• Contacte a Ohaus o a su distribuidor autorizado.</li> </ul>
Err 2	<ul style="list-style-type: none"> <li>• Condición de sobre peso o de peso inferior.</li> <li>• El seguro para transporte está habilitado</li> <li>• Calibración incorrecta</li> </ul>	<ul style="list-style-type: none"> <li>• Verifique que el plato de pesaje esté instalado y/o el exceso de carga sea removido del plato.</li> <li>• Deslice la patilla a la posición de desbloqueo.</li> <li>• Realice la calibración</li> </ul>
Err 4	<ul style="list-style-type: none"> <li>• Masa de calibración inválida.</li> </ul>	<ul style="list-style-type: none"> <li>• Verifique que se esté usando la masa de calibración correcta.</li> </ul>
Err 8	<ul style="list-style-type: none"> <li>• El buffer RS232 está lleno.</li> </ul>	<ul style="list-style-type: none"> <li>• Apague y encienda la báscula.</li> <li>• Verifique la configuración del RS232 en la báscula y en el computador cuando la opción RS232 está instalada.</li> </ul>
Err 9	<ul style="list-style-type: none"> <li>• Error de datos internos.</li> </ul>	<ul style="list-style-type: none"> <li>• Contacte a Ohaus o a su distribuidor autorizado.</li> </ul>
 (Destellando)	<ul style="list-style-type: none"> <li>• La energía de las baterías es baja.</li> </ul>	<ul style="list-style-type: none"> <li>• Reemplace pronto las baterías.</li> </ul>
bAtt LowW	<ul style="list-style-type: none"> <li>• La energía de las baterías es demasiado baja para una operación apropiada.</li> </ul>	<ul style="list-style-type: none"> <li>• Reemplace las baterías.</li> </ul>

**5.2 Información de servicio**

Si la sección de solución de problemas no resuelve o describe su problema, contacte a su agente de servicio Ohaus autorizado. Para servicio de asistencia o soporte técnico en los Estados Unidos llame gratis al 1-800-526-0659 entre 8:00 am y 5:00 pm hora del este. Un especialista en servicio de productos Ohaus estará disponible para proporcionar asistencia. Fuera de los Estados Unidos, por favor visite nuestro sitio web, [www.ohaus.com](http://www.ohaus.com), para localizar la oficina de Ohaus más cercana a usted.

## 6. DATOS TÉCNICOS

### 6.1 Especificaciones

**TABLA 6-1. ESPECIFICACIONES.**

Modelo	TAJ203	TAJ202	TAJ402	TAJ602	TAJ501	TAJ2001	TAJ4001	TAJ6000
Capacidad (g)	200 ct	200	400	600	500	2000	4000	6000
Capacidad de lectura (g)	0.005 ct	0.01	0.01	0.01	0.1	0.1	0.1	1
Linealidad (d)	±3	±1	±1	±2	±1	±1	±1	±1
Repetibilidad (g)	0.015 ct	0.01	0.01	0.01	0.1	0.1	0.1	1
Masa de extensión (g)	20*	200	200	300	300	1000	2000	3000
Masas de linealidad (g)	20 40	100 200	200 400	300 600	300 500	1000 2000	2000 4000	3000 6000
Unidades y modos de pesaje	Gramo, grano, quilate, kilogramo <sup>1</sup> , onza, onza troy, teals de Hong Kong, teals de Taiwán, teals de Singapur, tola, tical, pennyweight, libra <sup>2</sup> , conteo de partes.							
Rango de tara	A capacidad por sustracción							
Tiempo de estabilización (seg)	< 3							
Rango de temperatura de operación	50 °F - 104 °F / 10 °C - 40 °C							
Rango de humedad de operación	30%-90%							
Tamaño del plato de pesaje	100 diá.	137 x 140						

\* Incluido con la báscula

<sup>1</sup> TAJ2001, TAJ4001, TAJ6000 modelos solamente.

<sup>2</sup> TAJ501, TAJ602, TAJ2001, TAJ4001, TAJ6000 modelos solamente.

### 6.2. Accesorios

**TABLA 6-2. ACCESORIOS.**

ACCESORIO	NÚMERO DE PARTE
Kit de interfase RS232	72206287
Kit de interfase USB	72206288
Kit de gravedad específica	72202685
Dispositivo de seguridad	76288-01
Impresora Serial	Vaya a <a href="http://www.ohaus.com">www.ohaus.com</a> o contacte a sudistribuidor.
Adaptador, RS232 a impresora	80500572
Pantalla auxiliar	TAD7
Masas de calibración	Vaya a <a href="http://www.ohaus.com">www.ohaus.com</a> o contacte a su distribuidor.

6.3 Dibujos

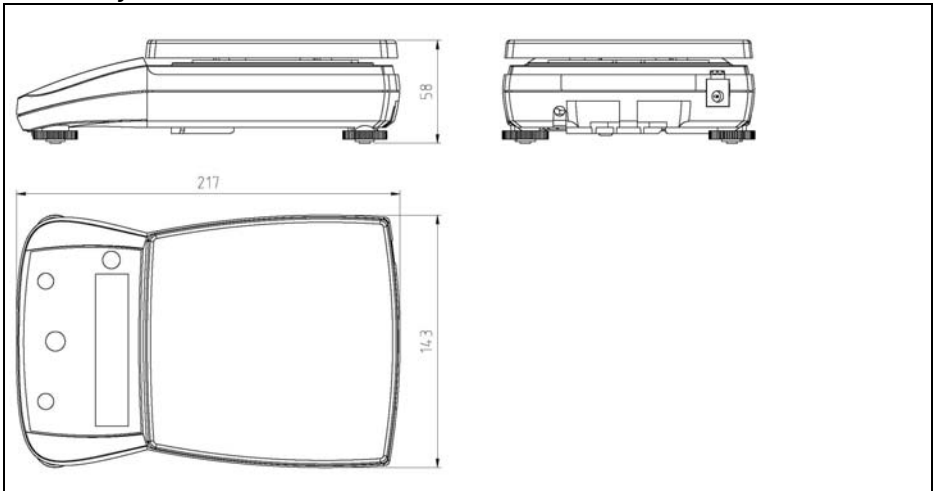


Figura 6-1. Dimensiones generales, Modelo del Gold.

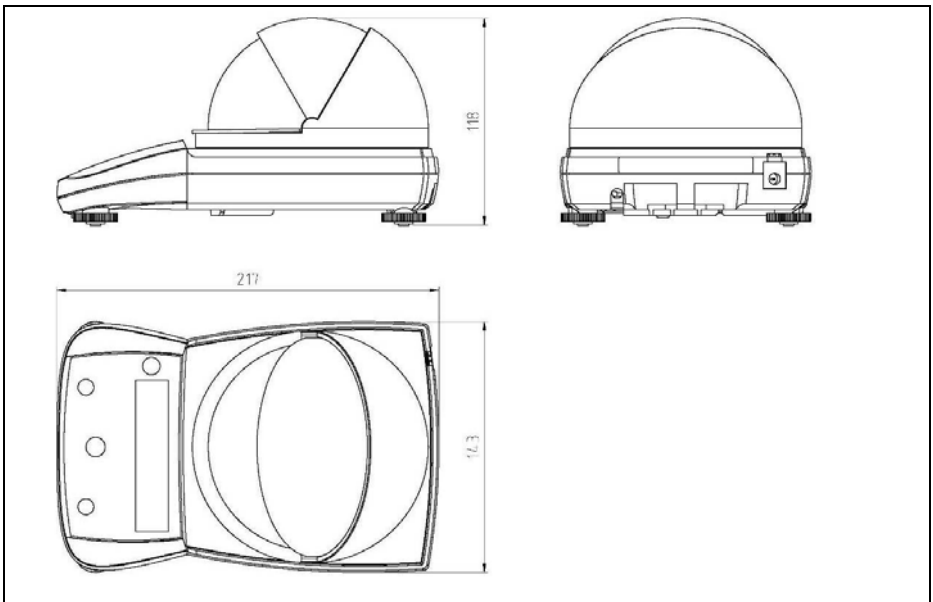


Figura 6-2. Dimensiones generales, Modelo del Carat.

### **GARANTÍA LIMITADA**

Los productos de Ohaus están garantizados contra defectos en los materiales y la mano de obra desde la fecha de entrega hasta que se termine el periodo de garantía. Durante el periodo de garantía, Ohaus reemplazará o reparará, por cuenta propia, sin costo alguno, el o los componentes comprobados como defectuosos, siempre y cuando el producto sea enviado a Ohaus con los gastos de envío pagados por anticipado.

Esta garantía no se aplica si el producto ha sido dañado por accidente o mal uso, expuesto a materiales radioactivos o corrosivos, se ha penetrado con objetos extraños en su interior, o como resultado de haberle prestado servicio o haber realizado una modificación personas ajenas a Ohaus. Además del envío apropiado de la tarjeta de garantía, el periodo de garantía comienza en la fecha del envío al distribuidor autorizado. No existe ninguna otra garantía expresa o implícita ofrecida por Ohaus Corporation. Ohaus Corporation no puede ser demandada por daños consecuentes.

Ya que las legislaciones de garantías difieren de estado a estado y de país a país, por favor contacte a su representante de Ohaus para mayores detalles.





## 1. INTRODUCTION

Ce manuel contient des instructions d'installation, de fonctionnement et de maintenance des balances de TAJ Carat et de Gold. Veuillez lire toutes ces instructions avant d'utiliser la balance.

### 1.1 Consignes de sécurité

Prière de respecter ces consignes de sécurité :

- Vérifiez que la tension d'entrée de l'adaptateur d'alimentation correspond à la tension de l'alimentation locale.
- N'utilisez la balance que dans des endroits secs.
- N'utilisez pas la balance dans des environnements rudes
- Ne faites pas tomber de charge sur la plate-forme.
- Ne posez pas la balance à l'envers sur la plate-forme.
- Les réparations doivent être exécutées exclusivement par un personnel autorisé.

### 1.2. Commandes

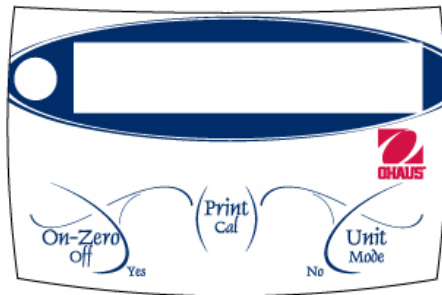


Figure 1-1. Commandes.

**TABLEAU 1-1. FONCTIONS DE COMMANDE.**

Nom de la touche	Fonction
On-Zero Off Yes	• Fonction principale (vous appuyez rapidement) : Si la balance est hors tension, cette touche permet de la mettre sous tension. Si la balance est sous tension, cette touche permet d'exécuter la fonction Zero/Tare.
	• Fonction secondaire (vous appuyez longuement) – Cette touche permet de mettre la balance hors tension
	• Fonction de menu – (Yes) Cette touche permet de valider le paramètre affiché
Print Cal	• Fonction principale (vous appuyez rapidement) – Cette touche permet d'envoyer la valeur affichée vers le port série si installé
	• Fonction secondaire (vous appuyez longuement) – Cette touche permet d'effectuer le calibrage de la portée tel que disponible dans Menu

Nom de la touche	Fonction
Unit Mode No	<ul style="list-style-type: none"> <li>Fonction principale (vous appuyez rapidement) - Cette touche permet de passer à l'unité disponible suivante</li> </ul>
	<ul style="list-style-type: none"> <li>Fonction secondaire - (appuyez longuement sur Unit) Permet d'effectuer un défilement parmi les modes activés disponibles et de revenir à l'unité utilisée précédemment.</li> </ul>
	<ul style="list-style-type: none"> <li>Fonction de menu – (No) Cette touche permet de rejeter le paramètre affiché et de passer au paramètre disponible suivant</li> </ul>

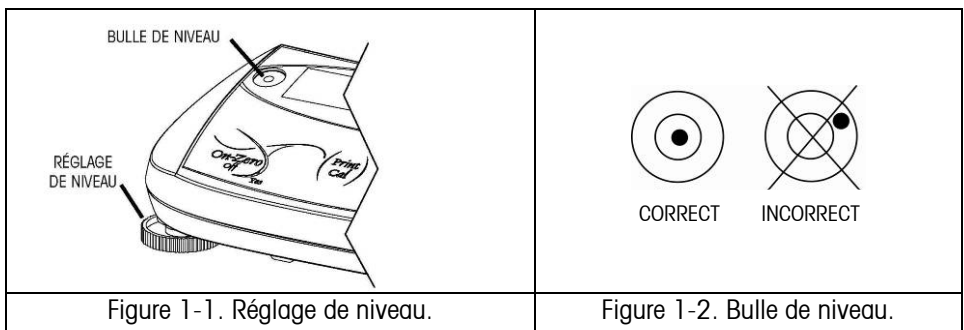
## 2. INSTALLATION

### 2.1 Contenu de l'emballage


- Balance
- Plate-forme
- Pare-vent (modèles Carat uniquement)
- Adaptateur alimentation
- Poids de calibrage (modèles Carat uniquement)
- Godet de gemme (modèles Carat uniquement)
- Manuel d'instructions
- Carte de garantie


### 2.2. Emplacement, Mise à niveau

Utilisez la balance sur une surface solide et stable. Évitez les emplacements avec courant d'air, vibrations, sources de chaleur excessifs ou changements de température brusques. Ajustez les pieds de mise à niveau en veillant à ce que la bulle soit centrée dans le petit cercle.



### 2.3. Verrou de Transport, Verrou de Calibrage et Installation de la Plate-forme

Vous devez déverrouiller le verrou de transport pour pouvoir utiliser la balance. Sur la partie inférieure de la balance, glissez la goupille de verrouillage en position . Voir la Figure 2-1.

Si la balance doit être calibrée par l'utilisateur, assurez-vous que le verrou de calibrage est réglé en position . Voir la Figure 2-2.

Installez la plate-forme métallique par dessus la sous-plate-forme en plastique.

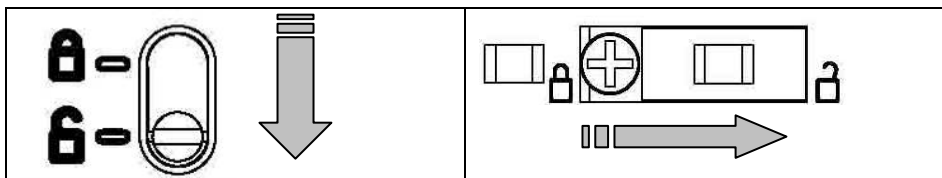


Figure 2-1. Déverrouiller le verrou de transport.

Figure 2-2. Déverrouiller le verrou de calibrage.

### 2.4 Branchement

La balance est alimentée via un adaptateur d'alimentation. Connectez l'adaptateur d'alimentation à la prise d'alimentation (voir la Figure 2-3) et branchez la fiche au dos de la balance (voir la Figure 2-4)

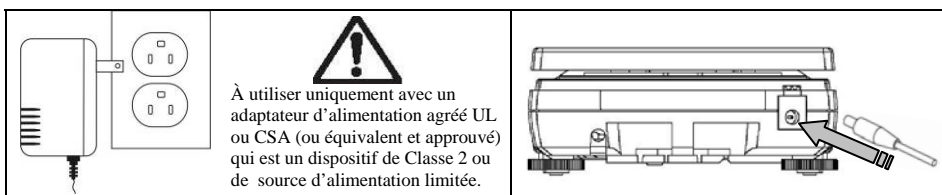


Figure 2-3. Adaptateur d'alimentation.

Figure 2-4. Fiche d'alimentation.

À utiliser uniquement avec un adaptateur d'alimentation agréé UL ou CSA (ou équivalent et approuvé) qui est un dispositif de Classe 2 ou de source d'alimentation limitée.

## 2.5 Installation des piles et utilisation de la balance sur pile

La balance peut également être alimentée par des piles. Enlevez le couvercle des piles et installez quatre piles alcalines de type AA (LR6) (non incluses). Voir l'installation correcte des piles sur la Figure 2.5. Sous l'alimentation par pile, un symbole de pile est affiché à gauche de l'écran. Le réglage Auto-Off permet d'économiser les piles (voir la section 4.2.1).

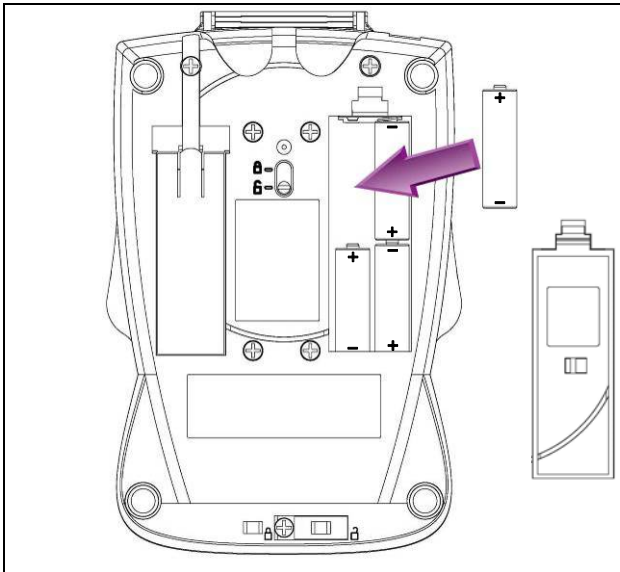


Figure 2-5. Installation des piles.

## 2.6 Installation du pare-vent (Modèles Carat uniquement)

Placez le pare-vent en forme de dôme sur l'anneau métallique cranté avec l'extrémité ouverte en direction de la partie arrière de la balance. En exerçant une pression vers le bas, faites tourner le pare-vent pour permettre aux bords inférieurs de glisser sous les crans de l'anneau métallique. Faites tourner le pare-vent jusqu'à ce que l'ouverture se trouve vers l'avant. Voir la Figure 3-1.

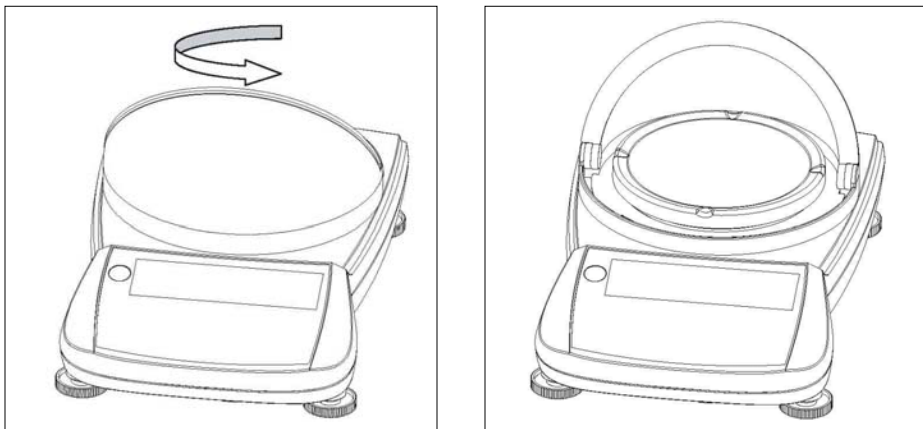


Figure 3-1. Installation du pare-vent.

## 2.7 Calibrage initial

Mettez la balance sous tension en appuyant sur **On-Zero**. Attendez une minute au moins que la balance se stabilise avant de procéder au calibrage. Appuyez sur le bouton **Print/Cal** que vous maintenez enfoncé jusqu'à ce que le message [**RL**] s'affiche. L'affichage clignote [-**E**-] pendant le relevé du zéro. L'affichage clignote la masse de portée requise. Placez la masse de calibrage indiquée sur la plate-forme et appuyez sur **Yes**. Le message [-**E**-] clignote à l'écran. Une fois le calibrage terminé, le message [**done**] s'affiche.

**Remarque :** Le calibrage est également disponible via le menu Setup (voir la section 4.2.1).

### 3. FONCTIONNEMENT

Appuyez sur **Zero** pour mettre à zéro la balance et placez ensuite les objets à peser sur la plate-forme.

Certaines unités de pesage ou modes peuvent être indisponible au départ. Vous pouvez toutefois les activer dans le menu principal des unités [μ.κ. ρ.ε] (voir la section 4).

#### 3.1 Unités de Pesage

Appuyez sur **Unit** pour passer à la prochaine unité de pesée disponible.

##### 3.2.1 Mode de comptage des pièces

Utilisez le mode **PC** pour compter des pièces ayant le même poids.

Pour lancer l'option Parts Counting (Comptage des pièces), appuyez sur **On-Zero** pour tarer un conteneur ou pour configurer l'affichage sur zéro.

Accéder au mode de comptage - Appuyez sur **Mode** que vous maintenez enfoncé jusqu'à ce que le message **PC** s'affiche. [ε.ε.ρ.ε] s'affiche.

Établir le poids moyen des pièces (APW) - Chaque fois qu'un nouveau type de pièce doit être compté, le poids nominal d'une pièce (poids moyen des pièces) doit être établi à l'aide d'une petite quantité de pièces.

Lorsque l'option Clear APW [ε.ε.ρ.ε] est affichée, appuyez sur **No** pour utiliser le poids moyen des pièces enregistré précédemment ou sur **Yes** pour établir un nouveau poids moyen. L'écran indique le nombre de pièces à utiliser pour établir le nouvel APW.

Pour utiliser une autre taille d'échantillon, appuyez sur **No** jusqu'à ce que la taille d'échantillon souhaitée s'affiche (5, 10, 20, 50 ou 100). Placez le nombre indiqué de pièces sur la plate-forme. Appuyez sur **Yes** pour valider le nouvel APW. Après avoir établi un nouvel APW, le nombre de pièces s'affiche à l'écran.

Optimisation APW - Dans la mesure où le poids de chacune des pièces varie légèrement, l'option APW Enhancement (Amélioration de l'APW - ε.ρ.ε.ε.ρ.ε) activée peut être utilisée pour augmenter la précision du comptage. Le poids moyen des pièces est automatiquement recalculé si le poids stable suivant est inférieur ou égal à deux fois le poids de l'échantillon initial. L'amélioration se poursuit sous condition que chaque poids supplémentaire soit inférieur ou égal au poids précédent. L'écran indique [ρ.ε.ε.ρ.ε] chaque fois que APW est recalculé.

Etablir un nouveau poids moyen des pièces - Appuyez sur Unit que vous maintenez enfoncé jusqu'à ce que le message "**PC**" clignote.

Comptage - Appuyez sur le bouton **Zero**. Placez la quantité des pièces à compter sur le plateau.

Quitter - Appuyez sur **Mode** que vous maintenez enfoncé jusqu'à ce que l'unité de pesage précédente s'affiche.

## 4. RÉGLAGES

La fonction Settings permet à l'utilisateur de personnaliser les paramètres de la balance.

### 4.1 Structure du menu

Le Tableau 4-1 illustre la structure du menu.

TABLEAU 4-1. MENU.

<u>S.E.T.U.P</u>		<u>U.n.i.t.</u>	<u>U.n.i.t.</u>	<u>End.</u>	<u>Remarque:</u>
<b>A-OFF</b>	On <b>OFF</b>	U.n.i.t	g On*	Appuyez sur Yes ou No	<u>Unité</u> <u>Symbole</u> <u>Facteur</u> Gramme    g                    1 Grain        GN                    15,432 Carat        ct                            5 Kilogramme kg                    0,001 Once        oz                    35,273e-3 Once Troy    ozt                    32,150e-3 Tael hk        † hk                    26,718e-3 Tael sg        † sg                    26,455e-3 Tael tw        † tw                    26,668e-3 Tola            tola                    85,735e-3 Tical            tical                    61,239e-3 Penny        dwt                    64,301e-3 Livre         lb                        2,204e-3
<b>L.Ght</b>	On Auto <b>OFF</b>	U.n.i.t	kg On <b>OFF</b> lb On <b>OFF</b>		<u>Modes</u> Comptage des pièces PC
<b>SPAN</b>	Appuyez sur Yes ou No	U.n.i.t	<b>OFF</b> oz On <b>OFF</b>		Les paramètres par défaut sont en <b>caractères gras</b>
<b>Lin</b>	Appuyez sur Yes ou No	U.n.i.t	<b>OFF</b> ozt On <b>OFF</b> † sg On <b>OFF</b> † tw On <b>OFF</b> dwt On <b>OFF</b> tola On <b>OFF</b> tical On <b>OFF</b> PC Count Ent.Enh <b>OFF</b>		*Les modèles Gold sont dotés d'une unité g comme valeur par défaut  *Les modèles Carat sont dotés d'une unité Ct comme valeur par défaut.
<b>End</b>	Appuyez sur Yes ou No	U.n.i.t	GN On <b>OFF</b> ct On* <b>OFF</b> † hk On <b>OFF</b> † sg On <b>OFF</b> † tw On <b>OFF</b> dwt On <b>OFF</b> tola On <b>OFF</b> tical On <b>OFF</b> PC Count Ent.Enh <b>OFF</b>		kg et lb ne sont pas disponibles dans les modèles inférieurs de capacité. Voir les Tableau 6-1.
		<b>End</b>	Press Yes ou No		



## 4.2 Navigation dans le menu

Les menus de niveaux principaux sont identifiés par les points entre chaque lettre, par exemple [5.É.É.Ü.Þ].

**Activer le Menu:** Lorsque la balance est à l'arrêt, appuyez sur le bouton **On**. Maintenez le bouton **On** enfoncé jusqu'à ce que le message [5.É.É.Ü.Þ] s'affiche. Chaque menu principal est activé en appuyant sur **Yes**. Passez au menu principal suivant en appuyant sur **No**.

**Changement des Paramètres:** Les menus principaux sont dotés de sous-menus : Activez un sous-menu en appuyant sur **Yes**. Passez au sous-menu suivant en appuyant sur **No**. Pour valider le paramètre du sous-menu affiché, appuyez sur **Yes**. Pour passer au paramètre suivant, appuyez sur **No**.

**Menu Exit:** Le dernier élément des sous-menus est [É.n.d]. Appuyez sur **Yes** pour revenir au menu principal. Le dernier élément du menu principal est [É.n.d]. Appuyez sur **Yes** pour revenir au mode de pesée précédent.

### 4.2.1 Menu de configuration [5.É.É.Ü.Þ.]

Le menu Setup contient les sous-menus suivants :

**Auto-arrêt [A-ÖFF.]:** Les paramètres auto-arrêt: Ö.n ÖFF\*\*  
Le paramètre [On] permet de désactiver automatiquement la balance lorsqu'aucune activité n'a été détectée pendant 4 minutes.

**Éclairage [L .ÖhÉ.]:** Paramètres pour le rétroéclairage: Ö.n ÖFF\*\* ou A.ÖtÖ.  
L'option [A.ÖtÖ] permet d'activer le rétroéclairage lorsque la balance détecte une activité. (2 secondes minimum)

**Calibrage de la portée [SPÖÖ]:** Cette fonction se sert des deux valeurs de pesée: zéro et une valeur à ou près de la capacité totale de la balance. La fonction de calibrage de portée doit être exécutée si la balance est repositionnée et lorsque la température ambiante change considérablement.

**La fonction de calibrage de linéarité [L...]:** se sert de trois valeurs de poids: zéro, valeur mi plage et capacité totale. Ce calibrage n'est en principe pas nécessaire à moins que le test n'indique que l'erreur de linéarité dépasse la tolérance de linéarité dans le tableau des spécifications. Il est important de maintenir la précision des poids pour préserver l'intégrité de la pesée.

\*\*L'option [OFF] pour ces paramètres permet de réduire la consommation de la batterie.


#### 4.2.2 Menu des unités [u.n. ...]

Vous pouvez régler individuellement chaque unité de pesage ou mode sur **ON** ou **OFF**. Voir les symboles associés à chaque unité ou mode sur le Tableau 4-1.

#### 4.2.3 Autres menus

Des menus supplémentaires sont disponibles si une option d'interface série est installée sur la balance. Ces menus sont expliqués dans le manuel d'utilisateur par kit d'option.

### 4.3. Fonction de verrouillage de calibrage

Placez le commutateur complètement en position de verrouillage  pour éviter que la balance ne soit calibrée. Utilisez un sceau de type papier ou fil pour sécuriser physiquement le commutateur si requis.

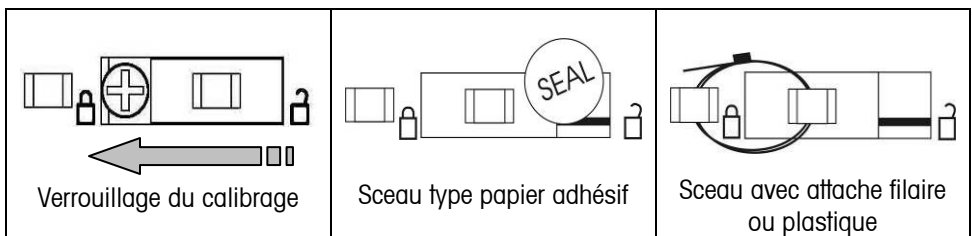


Figure 4-1. Verrouillage et apposition de sceau pour le commutateur de verrouillage du calibrage.

## 4.4 Pesée sous la balance

Le crochet de pesée sous balance est situé à l'intérieur du couvercle du compartiment des piles. Vissez le crochet dans le trou d'accès sur la partie inférieure de la balance. Placez la balance sur un montage approprié permettant d'avoir de l'espace libre pour travailler sous le crochet. Voir la Figure 4-2. Remarque : Ne jamais laisser le crochet pendre directement de la balance.

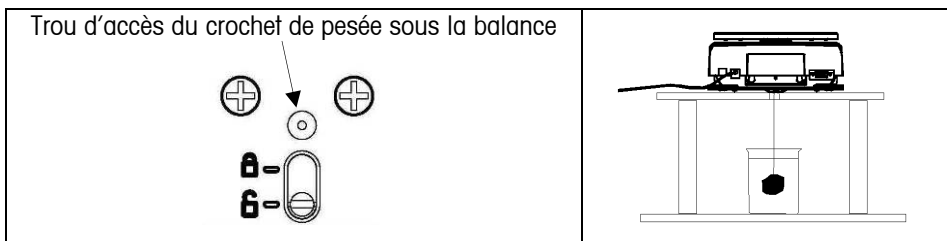


Figure 4-2. Réglage pour utilisation du crochet de pesée sous la balance.



## 5. MAINTENANCE

### 5.1 Dépannage

Le tableau suivant présente les problèmes communs, les causes possibles et les solutions. Si le problème persiste, contactez Ohaus ou votre revendeur Ohaus agréé.

**TABLEAU 5-1. DÉPANNAGE.**

Symptôme	Cause possible	Solution
Mise sous tension impossible	<ul style="list-style-type: none"> <li>• La balance n'est pas alimentée</li> <li>• Piles usées ou installées incorrectement</li> </ul>	<ul style="list-style-type: none"> <li>• Vérifier les connexions de l'adaptateur CA et la tension.</li> <li>• Remplacer les piles, vérifier la polarité.</li> </ul>
Précision de qualité médiocre	<ul style="list-style-type: none"> <li>• Calibrage incorrect</li> <li>• Environnement instable</li> <li>• Verrou de transport en place</li> <li>• Débris touchant la plate-forme</li> <li>• Le pare-vent touche la plate-forme ou l'échantillon.</li> </ul>	<ul style="list-style-type: none"> <li>• Effectuer le calibrage.</li> <li>• Placer la balance dans un lieu approprié.</li> <li>• Placer la goupille en position déverrouillée.</li> <li>• Nettoyer les débris près de ou en dessous de la plate-forme.</li> <li>• Vérifier que la plate-forme est bien logée. Contrôler la hauteur de l'échantillon.</li> </ul>
Impossible de calibrer	<ul style="list-style-type: none"> <li>• Environnement instable</li> <li>• Masse de calibrage incorrecte</li> <li>• Verrou de transport en place</li> <li>• Commutateur de verrouillage de calibrage en place</li> </ul>	<ul style="list-style-type: none"> <li>• Placer la balance dans un lieu approprié</li> <li>• Utiliser les masses de calibrage appropriées.</li> <li>• Placer la goupille en position déverrouillée.</li> <li>• Placer le commutateur en position déverrouillée.</li> </ul>
Err 1	<ul style="list-style-type: none"> <li>• Données de contrôle non valides.</li> </ul>	<ul style="list-style-type: none"> <li>• Mettre la balance hors tension puis sous tension.</li> <li>• Contacter Ohaus ou un revendeur agréé.</li> </ul>

Symptôme	Cause possible	Solution
Err 2	<ul style="list-style-type: none"> <li>• Condition de charge excessive ou insuffisante.</li> <li>• Verrou de transport en place</li> <li>• Calibrage incorrect</li> </ul>	<ul style="list-style-type: none"> <li>• Vérifier que la plate-forme est installée et/ou que la charge excessive est enlevée de la plate-forme.</li> <li>• Placer la goupille en position déverrouillée.</li> <li>• Effectuer le calibrage.</li> </ul>
Err 4	<ul style="list-style-type: none"> <li>• Masse de calibrage non valide.</li> </ul>	<ul style="list-style-type: none"> <li>• Vérifier que la masse de calibrage utilisée est appropriée.</li> </ul>
Err 8	<ul style="list-style-type: none"> <li>• Le tampon RS232 est plein.</li> </ul>	<ul style="list-style-type: none"> <li>• Mettre la balance hors tension puis sous tension.</li> <li>• Vérifier le réglage de RS232 sur la balance et l'ordinateur lorsque l'option RS232 est installée.</li> </ul>
Err 9	<ul style="list-style-type: none"> <li>• Erreur des données internes.</li> </ul>	<ul style="list-style-type: none"> <li>• Contacter Ohaus ou un revendeur agréé.</li> </ul>
 (Clignotement)	<ul style="list-style-type: none"> <li>• Niveau des piles bas.</li> </ul>	<ul style="list-style-type: none"> <li>• Les piles doivent être remplacées bientôt.</li> </ul>
	<ul style="list-style-type: none"> <li>• Le niveau des piles est trop bas pour assurer un fonctionnement approprié.</li> </ul>	<ul style="list-style-type: none"> <li>• Remplacer les piles.</li> </ul>

## 5.2 Informations sur le service

Si la section de dépannage ne vous aide pas à résoudre votre problème ou ne le décrit pas, contactez un technicien agréé Ohaus. Pour toute assistance relative au service ou tout support technique, appelez le 1-800-526-0659 aux États-Unis entre 8h00 et 17h00 (heure de New York). Un spécialiste des produits Ohaus se tient à votre disposition pour répondre à vos questions. En dehors des États-Unis, visitez le site Web à l'adresse suivante : [www.ohaus.com](http://www.ohaus.com), pour localiser le bureau Ohaus le plus près de chez vous.

## 6. DONNÉES TECHNIQUES

### 6.1 Spécifications

**TABLEAU 6-1. SPÉCIFICATIONS.**

Modèle	TAJ203	TAJ202	TAJ402	TAJ602	TAJ501	TAJ2001	TAJ4001	TAJ6000
Capacité (g)	200 ct	200	400	600	500	2000	4000	6000
Précision d'affichage (g)	0,005 ct	0,01	0,01	0,01	0,1	0,1	0,1	1
Linéarité (d)	±3	±1	±1	±2	±1	±1	±1	±1
Reproductibilité (g)	0,015 ct	0,01	0,01	0,01	0,1	0,1	0,1	1
Masse de portée (g)	20*	200	200	300	300	1000	2000	3000
Masses de linéarité (g)	20 40	100 200	200 400	300 600	300 500	1000 2000	2000 4000	3000 6000
Unités de pesage/Modes	Gramme, grain, carat, kilogramme <sup>1</sup> , once, once troy, tael pour Hong Kong, tael pour Taïwan, tael pour Singapour, tola, tical, pennyweight, livre <sup>2</sup> , comptage des pièces							
Plage de tare	À la capacité par soustraction							
Durée de stabilisation (sec)	< 3							
Plage de la température de	10° - 40 °C / 50° - 104 °F							
Plage humidité	30 %-90 %							
Taille de la plate-forme (mm)	100 dia.	137 x 140						

\* Inclus avec la balance

<sup>1</sup> TAJ2001, TAJ4001, TAJ6000 modèles seulement.

<sup>2</sup> TAJ501, TAJ602, TAJ2001, TAJ4001, TAJ6000 modèles seulement.

### 6.2. Accessoires

**TABLEAU 6-2. ACCESSOIRES.**

ACCESSOIRES	RÉFÉRENCE
Kit interface RS232	72206287
Kit interface USB	72206288
Kit de gravité spécifique	72202685
Dispositif de sécurité	76288-01
Imprimante série	Visitez le site <a href="http://www.ohaus.com">www.ohaus.com</a> ou contactez un revendeur
Adaptateur, RS232 vers imprimante	80500572
Affichage auxiliaire	TAD7
Masses de calibration	Visitez le site <a href="http://www.ohaus.com">www.ohaus.com</a> ou contactez un revendeur

## 6.3 Schémas

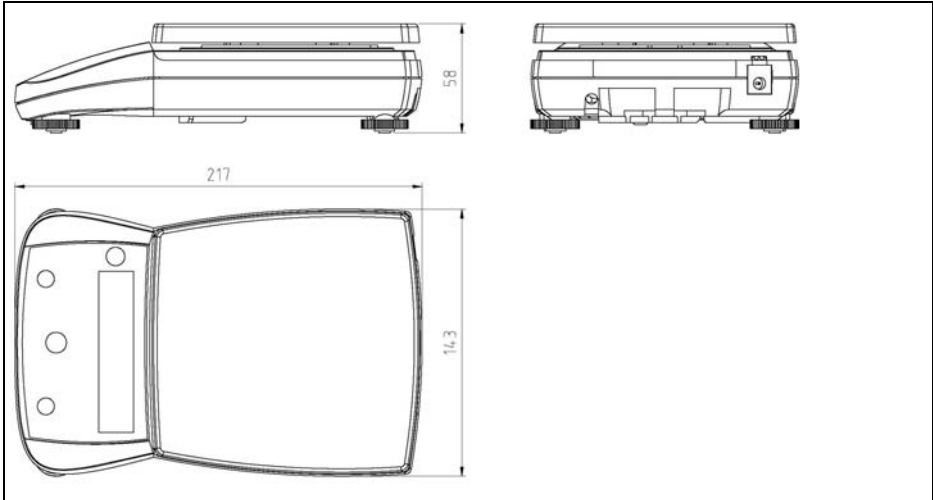


Figure 6-1. Dimensions hors-tout, Modèle de Gold.

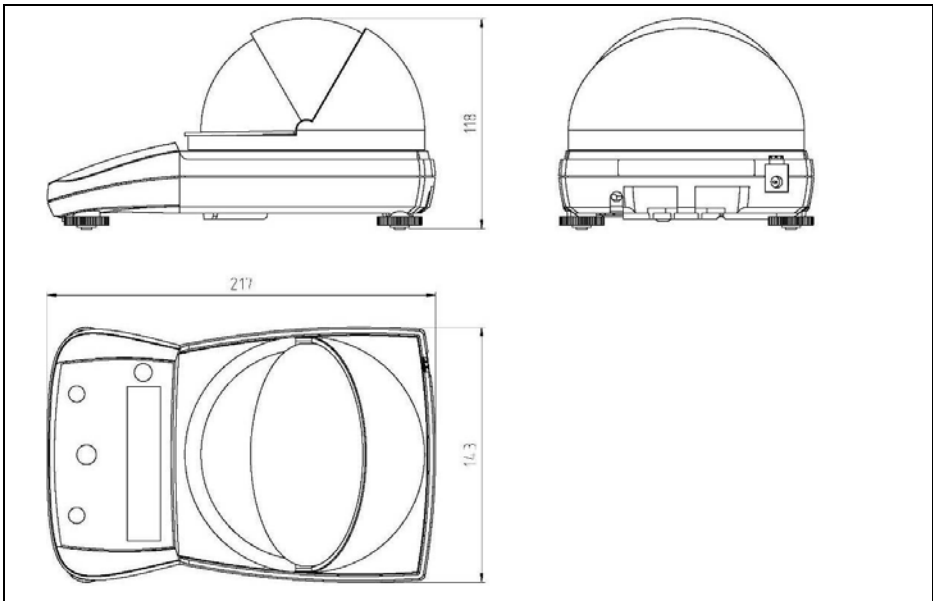


Figure 6-2. Dimensions hors-tout, Modèle de Carat.

**GARANTIE LIMITEE**

Les produits Ohaus sont garantis contre tous défauts de pièces et de main d'œuvre pour une période de garantie prenant effet le jour de la livraison. Pendant la période de garantie, Ohaus réparera ou, à sa discrétion, remplacera le(les) composant(s) défectueux gratuitement, à condition que le produit ait été retourné à Ohaus, tous frais de port à charge de l'expéditeur.

Cette garantie ne s'applique pas si le produit a été endommagé accidentellement ou par une mauvaise utilisation, s'il a été exposé à des matériaux radio-actifs ou corrosifs, si des corps étrangers y ont pénétré ou si des modifications ont été apportées au produit autres que celles effectuées par Ohaus. En l'absence de retour de la carte d'enregistrement de garantie, la période de garantie prend effet à la date de livraison au revendeur agréé. Ohaus Corporation ne concède pas d'autre garantie, expresse ou implicite. Ohaus Corporation ne pourra être tenue responsable pour les dommages résultants.

Compte tenu que la législation diffère d'un Etat à l'autre et d'un pays à l'autre, veuillez contacter Ohaus ou votre revendeur local Ohaus pour plus d'informations.





## 1. EINLEITUNG

Dieses Handbuch enthält Anweisungen zur Installation, zum Betrieb und zur Wartung von TAJ Carat und Gold-Waagen. Bitte lesen Sie das Handbuch ganz durch, bevor Sie die Waage in Betrieb nehmen.

### 1.1 Sicherheitsvorkehrungen

Bitte befolgen Sie die folgenden Sicherheitsmaßnahmen:

- Stellen Sie sicher, dass die Eingangsspannung des Stromadapters der örtlichen Netzspannung entspricht.
- Verwenden Sie die Waage nur an trockenen Orten.
- Betreiben Sie die Waage nicht unter widrigen Umgebungsbedingungen.
- Lassen Sie die Lasten nicht auf die Schale fallen.
- Stellen Sie die Waage nicht kopfüber auf die Schale.
- Reparaturen sollten nur von dazu befugtem Personal durchgeführt werden.

### 1.2. Bedienelemente

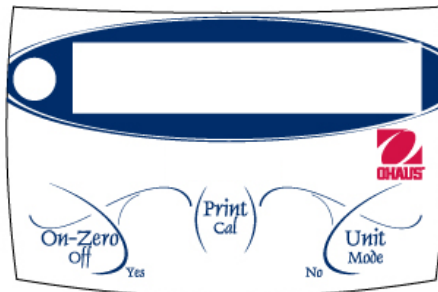


Abbildung 1-1. Bedienelemente.

**TABELLE 1-1. BEDIENELEMENTFUNKTIONEN**

Tastename	Funktion
On-Zero Off Yes	• Primäre Funktion (Kurzes Drücken) – Wenn die Waage ausgeschaltet ist, wird sie durch diese Taste eingeschaltet. Wenn die Waage eingeschaltet ist, wird eine Null-/Tarafunktion durchgeführt
	• Sekundäre Funktion (Langes Drücken) – Schaltet die Waage aus
	• Menüfunktion – (Yes) Diese Taste wird zum Akzeptieren der momentan angezeigten Einstellung verwendet
Print Cal	• Primäre Funktion (Kurzes Drücken) – Überträgt den aktuellen Anzeigewert an den seriellen Port, falls dieser installiert ist
	• Sekundäre Funktion (Langes Drücken) – Beginnt eine Messspannenkalibrierung, wenn diese im Menü verfügbar ist

Tastename	Funktion
Unit Mode No	<ul style="list-style-type: none"> <li>• Primäre Funktion (Kurzes Drücken) – Rückt zur nächsten verfügbaren Einheit vor</li> </ul>
	<ul style="list-style-type: none"> <li>• Sekundäre Funktion – (Langes Drücken von Unit) Blättert durch die verfügbaren, aktivierten Modi und zurück zur zuletzt verwendeten Einheit.</li> </ul>
	<ul style="list-style-type: none"> <li>• Menüfunktion – (No) Mit dieser Taste wird die angezeigte Einstellung zurückgewiesen und zur nächsten verfügbaren Einstellung vorgerückt</li> </ul>

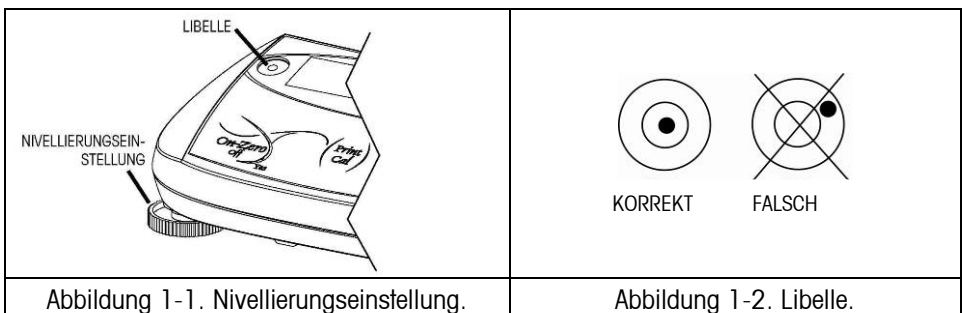
## 2. INSTALLATION

### 2.1 Packungsinhalt


- Waage
- Schale
- Zugluftschutz (nur Carat-Modelle)
- Stromadapter
- Kalibrierungsgewicht (nur Carat-Modelle)
- Edelstein-Schale (nur Carat-Modelle)
- Bedienungsanleitung
- Garantiekarte


### 2.2. Standort, Nivellieren

Verwenden Sie die Waage auf einer festen, stabilen Oberfläche. Vermeiden Sie Standorte mit zu starken Luftströmungen, Vibrationen, Wärmequellen oder schnellen Temperaturschwankungen. Stellen Sie die Nivellierfüße so ein, dass die Blase sich genau in der Mitte des kleinen Kreises befindet.



### 2.3. Transportsperre, Kalibrierungssperre u. Installation der Schale

Vor Verwendung der Waage muss die Transportsperre gelöst werden. Schieben Sie an der Unterseite der Waage den Sperrstift in die Position . Siehe Abbildungen 2-1.

Wenn die Waage vom Benutzer kalibriert werden soll, muss die Kalibrierungssperre in der Position  stehen. Siehe Abbildung 2-2.

Montieren Sie die Metallschale über der Kunststoffunterplattform.

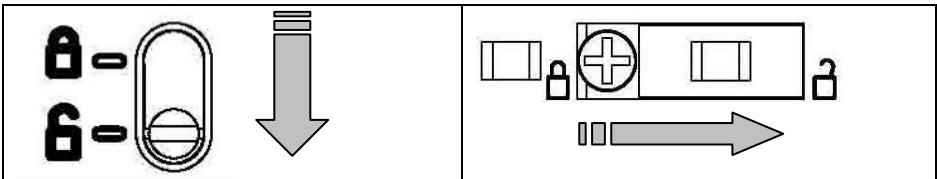
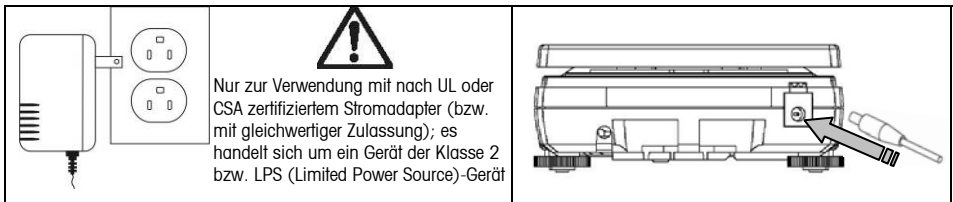


Abbildung 2-1. Transportsperre lösen

Abbildung 2-2. Kalibrierungssperre lösen

### 2.4 Stromversorgung anschließen

Zum Betreiben der Waage wird ein Stromadapter verwendet. Schließen Sie den Stromadapter an der Netzsteckdose (siehe Abb. 2-3) und den Stromstecker an der Rückseite der Waage an (siehe Abb. 2-4)



Abbildungen 2-3. Stromadapter.

Abbildung 2-4. Stromstecker.

## 2.5 Einlegen der Batterien und Verwendung

Die Waage kann auch mit Batterien betrieben werden. Nehmen Sie den Batteriefachdeckel ab und legen Sie vier Alkalibatterien des Typs AA (LR6) ein (nicht im Lieferumfang enthalten). Die korrekte Installation der Batterien entnehmen Sie Abbildung 2.5. Bei Batteriebetrieb erscheint auf der linken Seite der Anzeige ein Batteriesymbol. Die automatische Ausschalteneinstellung ist zum Einsparen von Batteriestrom nützlich, siehe Abschnitt 4.2.1.

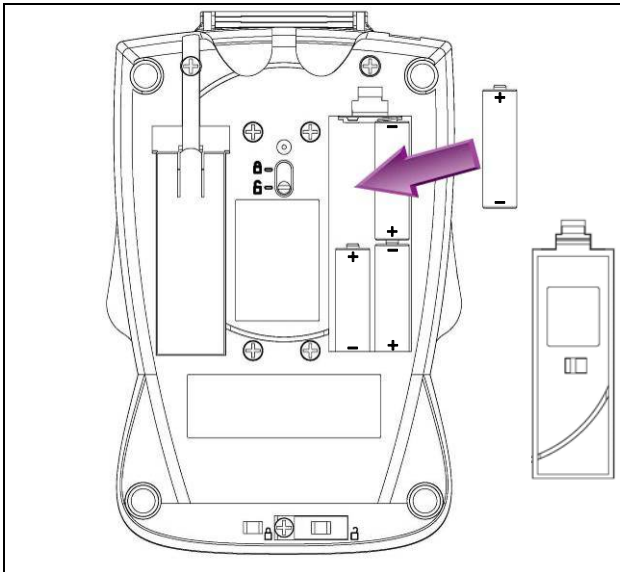


Abbildung 2-5. Einlegen der Batterien.

## 2.6 Installation des Zugluftschutzes (nur Carat-Modelle)

Legen Sie den kuppelförmigen Zugluftschutz so über den gekerbten Metallring, dass die offene Seite zur Rückseite der Waage hin weist. Drücken Sie den Zugluftschutz nach unten und drehen Sie ihn gleichzeitig so, dass die unteren Kanten unter die Kerben im Metallring gleiten. Drehen Sie den Zugluftschutz weiter, bis die Öffnung nach vorne weist. Siehe Abbildung 3-1.

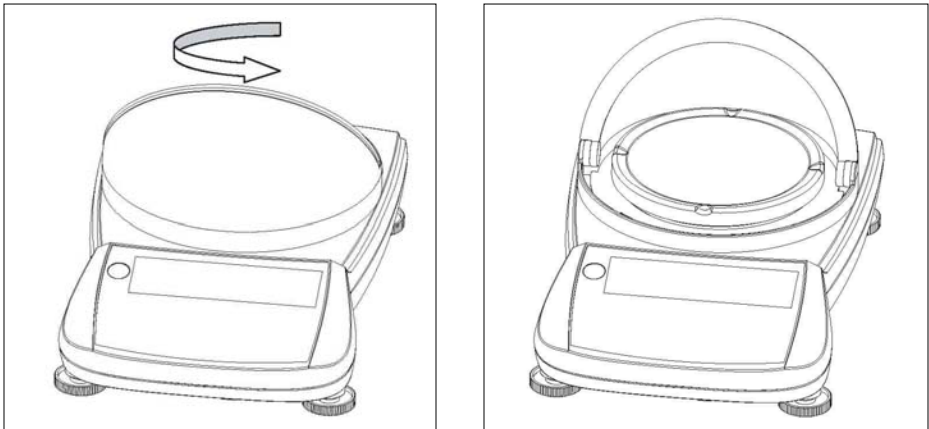


Abbildung 3-1. Installation des Zugluftschutzes.

## 2.7 Anfängliche Kalibrierung

Schalten Sie die Waage durch Drücken auf **On-Zero** ein. Lassen Sie die Waage sich mindestens eine Minute lange stabilisieren, bevor Sie die Kalibrierung durchführen. Drücken und halten Sie die Taste **Print/Cal** gedrückt, bis [LR] eingeblendet wird. Auf der Anzeige blinkt [-], während der Nullmesswert ermittelt wird. Auf der Anzeige blinkt das erforderliche Messspanngewicht. Legen Sie das angezeigte Kalibriergewicht auf die Schale und wählen Sie **Yes**, um die Waage zu kalibrieren. Auf der Anzeige blinkt [-]. Wenn die Kalibrierung abgeschlossen ist, wird [dOnE] eingeblendet.

**Hinweis:** Die Kalibrierung kann auch über das Setup-Menü aufgerufen werden, siehe Abschnitt 4.2.1.

### 3. BETRIEB

Drücken Sie auf **Zero** , um die Waage auf Null zu stellen, und legen Sie anschließend die zu wägenden Objekte auf die Schale.

Einige Maßeinheiten und modi sind zu Beginn eventuell nicht verfügbar. Sie können im Hauptmenü unter [U.N. 1.4] aktiviert werden, siehe Abschnitt 4.

#### 3.1 Wägemaßeinheiten

Drücken Sie auf **Unit** , um zur nächsten verfügbaren Gewichtseinheit vorzurücken.

#### 3.2 Wägemodi

So greifen Sie auf andere Wägemodi zu - Drücken und halten Sie **Mode** gedrückt, bis der gewünschte Modus auf der Anzeige erscheint. So beenden Sie den Wägemodus - Drücken und halten Sie **Mode** gedrückt, bis die letzte Wägeeinheit angezeigt wird.

##### 3.2.1 Stückzählungsmodus

Mit dem **PC** modus werden Teile mit einheitlichem Gewicht gezählt.

Um mit der Stückzählung zu beginnen, drücken Sie auf **On-Zero**, um den Behälter zu tarieren oder um die Anzeige auf Null zu stellen.

Zugriff auf den Zählmodus - Drücken und halten Sie **Mode** gedrückt, bis auf der Anzeige **PC** erscheint. [L.L.PW] wird eingeblendet.

Durchschnittliches Stückgewicht (APW) bestimmen - Jedes Mal, wenn ein neuer Teiletyp gezählt werden soll, muss das Nenngewicht eines Stücks (APW) anhand einer kleinen Stückzahl ermittelt werden.

Wenn „APW löschen“ [L.L.PW] angezeigt wird, drücken Sie auf **No**, um das zuvor gespeicherte APW zu verwenden, bzw. auf **Yes**, um ein neues APW festzulegen. Auf der Anzeige wird die Anzahl der Stücke eingeblendet, die zur Festlegung des neuen APW verwendet wird.

Wenn ein anderer Probenumfang gewünscht wird, drücken Sie auf **No**, bis der gewünschte Probenumfang angezeigt wird (5, 10, 20, 50 oder 100). Geben Sie die vorgeschriebene Stückzahl auf die Schale. Drücken Sie auf **Yes**, um das neue APW zu akzeptieren. Nach Festlegung des neuen APW wird die Stückzahl auf der Anzeige eingeblendet.

APW-Optimierung - Da das Gewicht jedes einzelnen Stücks eventuell leicht variiert, kann die Funktion APW-Optimierung (wenn aktiviert - **ENT.ENT**) verwendet werden, um die Zählgenauigkeit zu verbessern. Das APW wird automatisch neu berechnet, wenn das nächste stabile Gewicht geringer als oder gleich dem Zweifachen des Original-Probengewichts ist. Die Optimierungsfunktion wird dann weiter ausgeführt, falls jedes zusätzliche Gewicht geringer als oder gleich dem vorherigen Gewicht ist. Jedes Mal, wenn das APW neu berechnet wird, erscheint auf der Anzeige [**RPW.ENT**].

Neues APW festlegen - Drücken und halten Sie „Unit“ gedrückt, bis „**PC**“ blinkt.

Zählen - Drücken Sie auf die Taste **Zero**. Legen Sie die zu zählende Menge auf die Schale.

Beenden - Drücken und halten Sie **Mode** gedrückt, bis die letzte Wägeinheit eingeblendet wird.

## 4. EINSTELLUNGEN

Über die Einstellungen kann der Benutzer die Waage anwendungsspezifisch einrichten.

### 4.1 Menüstruktur

Tabelle 4-1 veranschaulicht die Menüstruktur.

**TABELLE 4-1. MENÜ.**

<u>SETUP</u>	<u>U.n.</u>	<u>End.</u>	<u>Anmerkungen:</u>
<b>A-OFF</b>	<b>On</b>	<b>g On*</b>	Drücken Sie auf Yes oder No
	<b>OFF</b>	<b>OFF</b>	
<b>LIGHT</b>	<b>On</b>	<b>kg On</b>	Einheit Symbol Faktor Gramm g 1 Gran GN 15.432 Karat ct 5 Kilogramm kg 0.001 Unze oz 35.273e-3 Troy-Unze ozt 32.150e-3 Tael-HK t hk 26.718e-3 Tael-SG t sg 26.455e-3 Tael-TW t tw 26.668e-3 Tola tola 85.735e-3 Tikal tical 61.239e-3 Penny dwf 64.301e-3 Pfund lb 2.204e-3
	<b>Auto</b>	<b>OFF</b>	
	<b>OFF</b>	<b>lb On</b>	
<b>SPAN</b>	Drücken Sie auf Yes oder No	<b>OFF</b>	
		<b>OZ On</b>	
		<b>OFF</b>	
<b>Unit</b>	Drücken Sie auf Yes oder No	<b>OZt On</b>	
		<b>OFF</b>	
		<b>GN On</b>	
		<b>OFF</b>	
<b>End</b>	Drücken Sie auf Yes oder No	<b>ct On*</b>	
		<b>OFF</b>	
		<b>t hk On</b>	
		<b>OFF</b>	
		<b>t sg On</b>	
		<b>OFF</b>	
		<b>t tw On</b>	
		<b>OFF</b>	
		<b>dwt On</b>	
		<b>OFF</b>	
		<b>tola On</b>	
		<b>OFF</b>	
		<b>tical On</b>	
		<b>OFF</b>	
		<b>PC Count</b>	
		<b>Ent.Enh</b>	
		<b>OFF</b>	
<b>End</b>	Drücken Sie auf Yes oder No		

#### Anmerkungen:

Einheit	Symbol	Faktor
Gramm	g	1
Gran	GN	15.432
Karat	ct	5
Kilogramm	kg	0.001
Unze	oz	35.273e-3
Troy-Unze	ozt	32.150e-3
Tael-HK	t hk	26.718e-3
Tael-SG	t sg	26.455e-3
Tael-TW	t tw	26.668e-3
Tola	tola	85.735e-3
Tikal	tical	61.239e-3
Penny	dwt	64.301e-3
Pfund	lb	2.204e-3

#### Modi

Stückzählung PC

Die Standardeinstellungen  
Erscheinen in **Fettdruck**.

\*Gold-Modelle verfügen  
über die Einheit **g** als Standard.

\*Carat-Modelle verfügen  
über die Einheit **Ct** als Standard.

kg und lb sind nicht in den  
niedrigen Kapazität Modellen  
vorhanden. Sehen Sie Tabelle  
6.1.



## 4.2 Menünavigation

Menüs der Hauptebene sind durch Dezimalpunkte zwischen jedem Buchstaben gekennzeichnet, beispielsweise [5.É.É.É.É.É].

**Menü aufrufen:** Wenn die Waage ausgeschaltet ist, drücken und halten Sie die Taste **On** gedrückt. Halten Sie die Taste **On** weiter gedrückt, bis [5.É.É.É.É.É] eingeblendet wird. Jedes Hauptmenü wird durch Drücken von **Yes** aufgerufen. Durch Drücken auf **No** rücken Sie zum nächsten Hauptmenü vor.

**Einstellungen ändern:** Innerhalb jedem Hauptmenü befinden sich Untermenüs. Rufen Sie jedes Untermenü durch Drücken von **Yes** auf. Durch Drücken auf **No** rücken Sie zum nächsten Untermenü vor. Zum Akzeptieren der angezeigten Untermenüeinstellung drücken Sie auf **Yes**. Um zur nächsten Einstellung vorzurücken, drücken Sie auf **No**.

**Menü beenden:** Das letzte Element in jedem Untermenü ist [É.n.d]. Drücken Sie auf **Yes**, um zum Hauptmenü zurückzukehren. Das letzte Element in jedem Hauptmenü ist [É.n.d]. Drücken Sie auf **Yes**, um zum vorherigen Wägemodus zurückzukehren.

### 4.2.1 Setup-Menü [5.É.É.É.É.É]

Das Setup-Menü enthält folgende Untermenüs:

**Auto. Ausschalten [.R-ÖFF]:** Einstellungen für autom. Ausschalten: **Ön ÖFF\*\***

Die Einstellung [Ön] schaltet die Waage automatisch aus, nachdem 4 Minuten lang keine Aktivität festgestellt wurde.

**Beleuchtung [É.É.É.É.É]:** Einstellungen der Hintergrundbeleuchtung: **Ön. ÖFF\*\*** (Ein, Aus) oder **Ön.Ön.**

Durch die Auswahl von [Ön.Ön.] wird die Hintergrundbeleuchtung der Waage eingeschaltet, wenn eine Aktivität festgestellt wird. (Mindestens 2 Sekunden)

**Messspannenkalibrierung [5PÖÖ]:** Verwendet zwei Gewichtswerte: Null und einen Wert bei oder nahe der vollen Kapazität der Waage. Eine Messspannenkalibrierung sollte durchgeführt werden, wenn der Aufstellungsort der Waage verlegt wird oder wenn sich die Raumtemperatur erheblich ändert.

**Linearitätskalibrierung** [L n]: Es werden drei Gewichtswerte eingesetzt: Null, ein Mittelbereichswert und voll Kapazität. Im Allgemeinen ist diese Kalibrierung nur dann erforderlich, wenn eine Prüfung ergibt, dass der Linearitätsfehler die Linearitätstoleranz in der Spezifikationstabelle überschreitet. Die Genauigkeit der Gewichte ist zur Gewährleistung der Wägeintegrität von entscheidender Bedeutung.

\*Durch die Auswahl von [OFF] für diese Einstellungen wird der Batteriestromverbrauch reduziert.

#### 4.2.2 Einheit-Menü [U.n. r.t]

Jede Wägeeinheit oder Modus kann einzeln auf U.n. oder OFF eingestellt werden. Die mit jeder Einheit oder Modus verknüpften Symbole finden Sie in Tabelle 4-1.

#### 4.2.3 Weitere Menüs

Es stehen weitere Menüs zur Verfügung, wenn eine serielle Schnittstellenoption in der Waage installiert ist. Diese Menüs werden im Benutzerhandbuch jedes Optionsatzes erläutert.

### 4.3. Kalibrierungssperrenfunktion


Wird der Schalter ganz in die Sperrenposition  geschoben, dann wird ein Kalibrieren der Waage verhindert. Durch Verwendung eines Papiersiegels oder eine Drahtplombe wird der Schalter nach Bedarf physikalisch gesichert.



Abbildung 4-1. Sperren und Versiegeln des Kalibrierungssperrschalters.

## 4.4 Unterflurwägefunktion

Der Unterflurwägehaken ist in der Batterieabdeckung verstaut. Fädeln Sie den Haken in das Zugriffsloch an der Unterseite der Waage. Montieren Sie die Waage an einer geeigneten Konstruktion, die ein freies Arbeiten im Raum unter dem Haken ermöglicht. Siehe Abbildung 4-2. **Hinweis:** Die Waage darf auf keinen Fall direkt auf dem Haken ruhen.

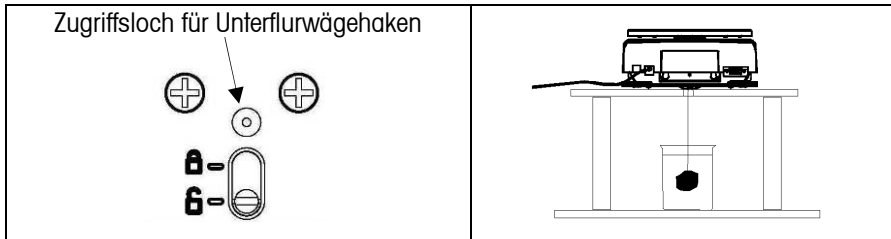


Abbildung 4-2. Einrichtung zur Verwendung des Unterflurwägehakens.


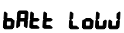
## 5. WARTUNG

### 5.1 Fehlersuche

In der folgenden Tabelle sind häufig vorkommende Probleme, ihre möglichen Ursachen und Abhilfemaßnahmen aufgeführt. Falls das Problem weiterhin auftritt, wenden Sie sich an Ohaus oder Ihren Vertragshändler.

**TABELLE 5-1. FEHLERSUCHE.**

Symptom	Mögliche Ursache	Abhilfemaßnahme
Kann nicht eingeschaltet werden	<ul style="list-style-type: none"> <li>Keine Stromzufuhr zur Waage</li> <li>Batterien leer oder falsch eingelegt</li> </ul>	<ul style="list-style-type: none"> <li>Stromadapteranschlüsse und Spannung überprüfen</li> <li>Batterien ersetzen, Polarität überprüfen</li> </ul>
Schlechte Genauigkeit	<ul style="list-style-type: none"> <li>Falsche Kalibrierung</li> <li>Instabile Umgebung</li> <li>Transportsperre ist eingestellt</li> <li>Verschmutzungen auf der Schale</li> <li>Zugluftschutz berührt Schale oder Probe.</li> </ul>	<ul style="list-style-type: none"> <li>Kalibrierung durchführen</li> <li>Waage an einen geeigneten Standort verlegen.</li> <li>Stift in die entriegelte Position schieben.</li> <li>Verschmutzungen neben oder unter der Schale reinigen</li> <li>Prüfen, ob die Schale richtig sitzt, Probenhöhe überprüfen</li> </ul>
Lässt sich nicht kalibrieren	<ul style="list-style-type: none"> <li>Instabile Umgebung</li> <li>Falsche Kalibriergewichte</li> <li>Transportsperre ist eingestellt</li> <li>Kalibrierungssperrschalter ist eingestellt</li> </ul>	<ul style="list-style-type: none"> <li>Waage an einen geeigneten Standort verlegen.</li> <li>Korrekte Kalibriergewichte verwenden.</li> <li>Stift in die entriegelte Position schieben.</li> <li>Schalter in die entriegelte Position schieben</li> </ul>
Err 1	<ul style="list-style-type: none"> <li>Ungültige Prüfsummendaten</li> </ul>	<ul style="list-style-type: none"> <li>Waage aus- und wieder einschalten.</li> <li>Wenden Sie sich an Ohaus oder einen Vertragshändler</li> </ul>

Symptom	Mögliche Ursache	Abhilfemaßnahme
Err 2	<ul style="list-style-type: none"> <li>• Überlast- oder Unterlastbedingung</li> <li>• Transportsperre ist eingestellt</li> <li>• Falsche Kalibrierung</li> </ul>	<ul style="list-style-type: none"> <li>• Sicherstellen, dass die Schale installiert ist und/oder dass überschüssige Lasten von der Schale abgenommen werden</li> <li>• Stift in die entriegelte Position schieben</li> <li>• Kalibrierung durchführen</li> </ul>
Err 4	<ul style="list-style-type: none"> <li>• Ungültiges Kalibrierungsgewicht.</li> </ul>	<ul style="list-style-type: none"> <li>• Stellen Sie sicher, dass das richtige Kalibrierungsgewicht verwendet wird</li> </ul>
Err 8	<ul style="list-style-type: none"> <li>• RS232-Puffer ist voll.</li> </ul>	<ul style="list-style-type: none"> <li>• Waage aus- und wieder einschalten</li> <li>• Überprüfen Sie die RS232-Einstellungen in Waage und Computer, wenn die RS232-Option installiert ist</li> </ul>
Err 9	<ul style="list-style-type: none"> <li>• Interner Datenfehler.</li> </ul>	<ul style="list-style-type: none"> <li>• Wenden Sie sich an Ohaus oder einen Vertragshändler</li> </ul>
 (Blinkt)	<ul style="list-style-type: none"> <li>• Batteriestrom schwach.</li> </ul>	<ul style="list-style-type: none"> <li>• Batterien bald ersetzen</li> </ul>
	<ul style="list-style-type: none"> <li>• Batteriestrom ist zu schwach für einen korrekten Betrieb</li> </ul>	<ul style="list-style-type: none"> <li>• Batterien ersetzen</li> </ul>

## 5.2 Wartungsinformationen

Wenn Ihr Problem im Abschnitt „Fehlersuche“ nicht gelöst oder beschrieben wird, wenden Sie sich an Ihren zugelassenen Service-Vertreter von Ohaus. Wenn Sie in den Vereinigten Staaten Hilfe oder technischen Support benötigen, rufen Sie bitte die folgende (in den USA) gebührenfreie Nummer an: 1-800-526-0659 zwischen 8.00 und 17 Uhr amerikanischer Ostküstenzeit. Ein Produktservice-Spezialist von Ohaus wird Ihnen dann weiterhelfen. Außerhalb der USA besuchen Sie unsere Website [www.ohaus.com](http://www.ohaus.com), um die für Sie am nächsten gelegene Ohaus-Geschäftsstelle zu finden.

## 6. TECHNISCHE DATEN

### 6.1 Spezifikationen

**TABELLE 6-1. SPEZIFIKATIONEN.**

Modell	TA152	TA302	TA301	TA501	TA1501	TA3001	TA5000	TA6000
Kapazität (g)	200 ct	200	400	600	500	2000	4000	6000
Ablesbarkeit (g)	0.005 ct	0.01	0.01	0.01	0.1	0.1	0.1	1
Linearität (d)	±3	±1	±1	±2	±1	±1	±1	±1
Wiederholbarkeit (g)	0.015 ct	0.01	0.01	0.01	0.1	0.1	0.1	1
Messspanngewicht (g)	20*	200	200	300	300	1000	2000	3000
Linearitätsgewichte (g)	20 40	100 200	200 400	300 600	300 500	1000 2000	2000 4000	3000 6000
Wägeeinheiten / Modi	Gramm, Gran, Karat, Kilogramm <sup>1</sup> , Unze, Troy-Unze, Tael Hongkong, Tael Taiwan, Tael Singapur, Tola, Tikal, Pennyweight, Pfund (lb) <sup>2</sup> , Stückzählung							
Tarierbereich	Auf Kapazität durch Subtraktion							
Stabilisierungszeit	< 3							
Betriebstemperaturbereich	50 ° - 104 °F/10 ° - 40 °C							
Betriebsfeuchtigkeitsbereich	30%-90%							
Schalengröße (mm)	Durchmesser 100	137 x 140						

\* Im Lieferumfang der Waage enthalten

<sup>1</sup> TAJ2001, TAJ4001, TAJ6000 nur modelle.

<sup>2</sup> TAJ501, TAJ602, TAJ2001, TAJ4001, TAJ6000 nur modelle.

### 6.2 Zubehör

**TABELLE 6-2. ZUBEHÖR.**

ZUBEHÖR	TEILENUMMER
RS232-Schnittstellensatz	72206287
USB-Schnittstellensatz	72206288
Satz für spezifisches Gewicht	72202685
Sicherheitsgerät	76288-01
Serieller Drucker	Siehe <a href="http://www.ohaus.com">www.ohaus.com</a> oder wenden Sie sich an einen Händler
Adapter, RS232 zu Drucker	80500572
Zusatzanzeige	TAD7
Kalibriergewichte	Siehe <a href="http://www.ohaus.com">www.ohaus.com</a> oder wenden Sie sich an einen Händler

### 6.3 Zeichnungen

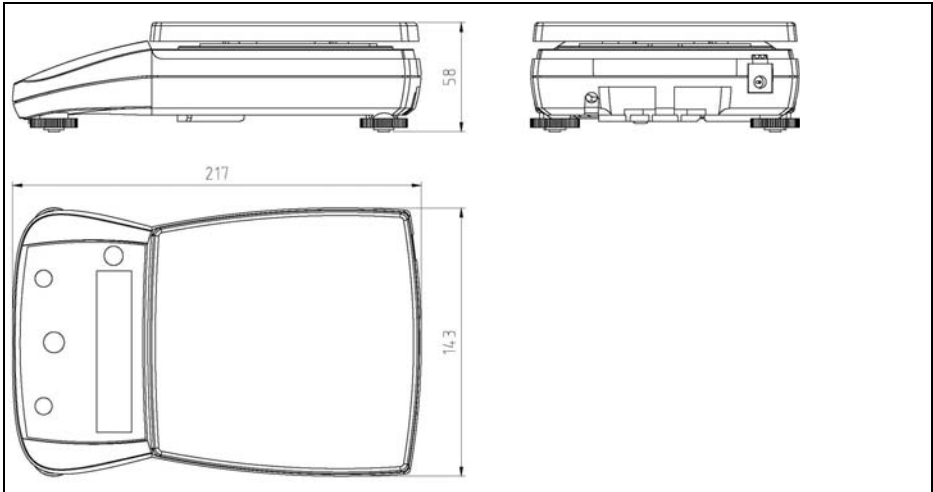


Abbildung 6-1. Gesamtabmessungen, Gold Modell.

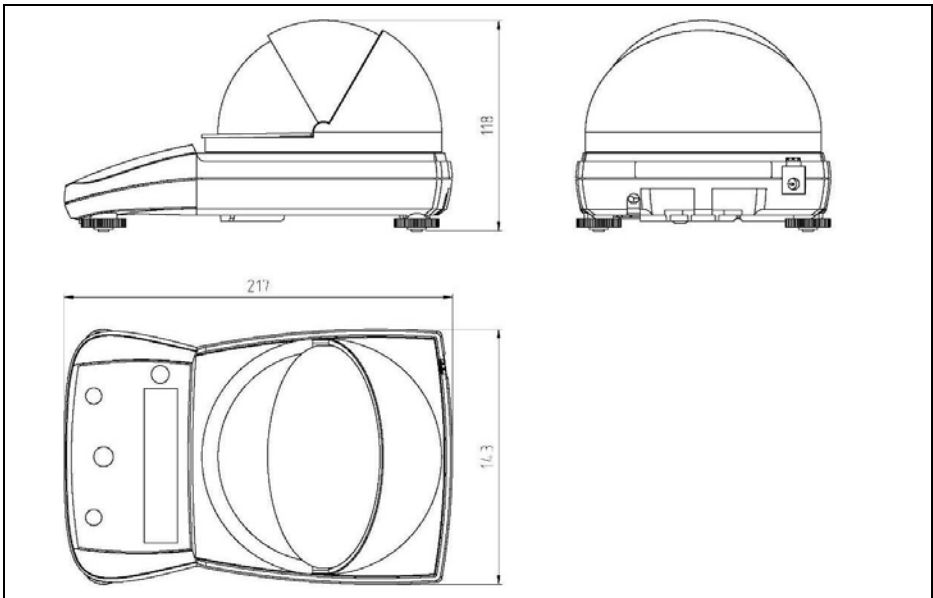


Abbildung 6-2. Gesamtabmessungen, Carat Modell.

### **BESCHRÄNKTE GARANTIE**

Auf Ohaus-Produkte wird ab Datum der Auslieferung über die Dauer des Garantiezeitraums hinweg eine Garantie gegen Material- und Herstellungsmängel gegeben. Während des Garantiezeitraums wird Ohaus kostenlos jegliche Komponente(n), die sich als defekt erweist (erweisen), reparieren oder nach eigenem Ermessen ersetzen, wenn das Produkt bei Vorauszahlung der Versandkosten an Ohaus zurückgeschickt wird.

Die Garantie gilt nicht, wenn das Produkt durch einen Unfall oder durch Missbrauch beschädigt wurde, wenn es radioaktiven oder korrodierenden Materialien ausgesetzt wurde, wenn Fremdkörper das Innere des Produkts durchdrungen haben oder wenn es auf Grund einer Reparatur oder Modifikation beschädigt wurde, die nicht von Ohaus durchgeführt wurde. Wenn keine ordnungsgemäß zurückgeschickte Garantierregistrierungskarte vorliegt, beginnt der Garantiezeitraum am Datum der Lieferung an den befugten Händler. Ohaus Corporation gibt keine sonstige ausdrückliche oder stillschweigende Garantie. Ohaus Corporation ist nicht haftbar für irgendwelche Folgeschäden.

Da die Gesetzgebung in Bezug auf Garantien von Bundesstaat zu Bundesstaat und von Land zu Land anders ist, wenden Sie sich bitte an Ohaus oder Ihren örtlichen Ohaus-Händler, wenn Sie weitere Einzelheiten erfahren wollen.





## 1. INTRODUZIONE

Questo manuale illustra l'installazione, il funzionamento e la manutenzione per le bilance di TAJ Carat e di Gold. Leggere il manuale completamente prima di utilizzare la bilancia.

### 1.1 Misure di sicurezza

Seguire le precauzioni di sicurezza esposte di seguito:

- Verificare che la tensione d'ingresso dell'alimentatore di rete corrisponda alla tensione di rete.
- Utilizzare la bilancia solo in luoghi asciutti.
- Non utilizzare la bilancia in ambienti difficili.
- Non far cadere pesi sul vassoio di pesa.
- Non capovolgere la bilancia con il vassoio rivolto verso il basso.
- Fare eseguire la manutenzione solo da personale autorizzato.

### 1.2. Controlli

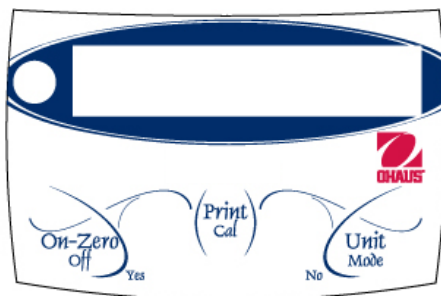


Figura 1-1. Controlli.

**TABELLA 1-1 FUNZIONI DI CONTROLLO.**

Nome Tasto	Funzione
On-Zero Off Yes	• Funzione principale (pressione breve), se la bilancia è spenta si accende. Se la bilancia è accesa, esegue la funzione Zero/Tara
	• Funzione secondaria (pressione lunga), spegne la bilancia
	• Funzionamento a menu, (Yes) questo tasto viene utilizzato per accettare le impostazioni correntemente visualizzate
Print Cal	• Funzione principale (pressione breve), invia il valore correntemente visualizzato alla porta seriale, se installata
	• Funzione secondaria (pressione lunga), avvia la taratura a intervallo come disponibile nel menu

Nome Tasto	Funzione
Unit Mode No	<ul style="list-style-type: none"> <li>• Funzione principale (pressione breve), avanza all'unità successiva disponibile.</li> </ul>
	<ul style="list-style-type: none"> <li>• Funzione secondaria – (pressione lunga di Unit) Scorre tra le modalità attivate disponibili e torna all'ultima unità utilizzata.</li> </ul>
	<ul style="list-style-type: none"> <li>• Funzionamento a menu, (No) questo tasto viene utilizzato per rifiutare le impostazioni visualizzate e avanzare alle impostazioni successive disponibili</li> </ul>

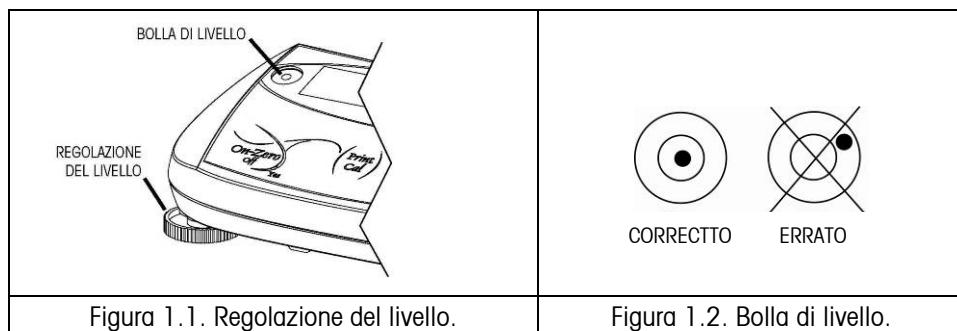
## 2. INSTALLAZIONE

### 2.1 Contenuto della confezione


- Bilancia
- Vassoio
- Scudo per correnti d'aria (solo modelli Carat)
- Alimentatore di rete
- Peso di taratura (solo modelli Carat)
- Contenitore per gemme (solo modelli Carat)
- Manuale di istruzioni
- Scheda di garanzia


### 2.2. Ubicazione, Livellamento

Utilizzare la bilancia su una superficie solida e ferma. Evitare luoghi dove ci siano correnti d'aria, vibrazioni o fonti di calore eccessive, o variazioni rapide di temperatura. Regolare i piedini fino a quando la bolla di livello non si trova al centro del piccolo cerchio.



### 2.3. Blocco per il trasporto, blocco della taratura e installazione del vassoio

Prima di utilizzare la bilancia è necessario rilasciare il blocco per il trasporto. Sul fondo della bilancia fare scivolare il pin di blocco nella posizione . Vedere la Figura 2-1.

Se la bilancia deve essere tarata dall'utente accertarsi che il blocco di taratura si trovi nella posizione . Vedere la Figura 2-2.

Installare il vassoio di metallo sulla piattaforma inferiore in plastica.

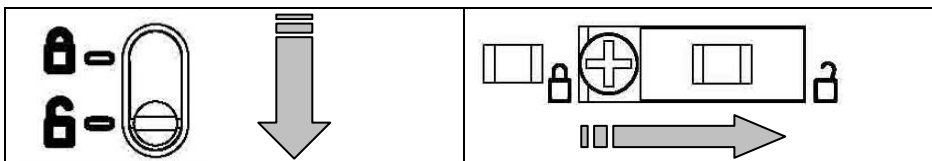


Figura 2-1. Rilascio del blocco per il trasporto.

Figura 2-2. Rilascio del blocco di taratura.

### 2.4 Collegamento dell'alimentazione elettrica

Per alimentare la bilancia viene utilizzato un alimentatore di rete. Collegare l'alimentatore di rete alla presa di corrente (vedere Figura 2-3) e il jack di ingresso al retro della bilancia, (vedere Figura 2-4).



Figura 2-3. Alimentatore di rete.

Figura 2-4. Jack di ingresso dell'alimentazione.

Da utilizzare esclusivamente con alimentatori di rete certificati UL o CSA (o equivalente approvato), che è un dispositivo di alimentazione di Classe 2 o Limitato.

## 2.5 Installazione e utilizzo della batteria

La bilancia può essere anche alimentata a batteria. Rimuovere il coperchio della batteria e installare quattro batterie alcaline di tipo AA (LR6) (non incluse). Per la corretta installazione delle batterie, fare riferimento alla Figura A2.5. Quando alimentata a batteria, sulla parte sinistra del display viene visualizzato il simbolo di una batteria. L'impostazione di spegnimento automatico è utile per risparmiare l'energia delle batterie, vedere la sezione 4.2.1.

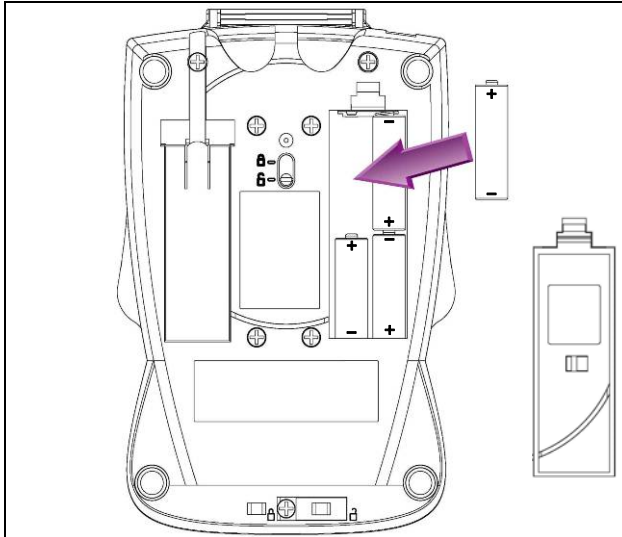


Figura 2-5. installazione della batteria.

## 2.6 Installazione scudo per correnti d'aria (solo modelli Carat)

Poggiare lo scudo per correnti d'aria a forma di cupola, sulla ghiera metallica dentellata con l'estremità aperta rivolta verso la parte posteriore della bilancia. Premendo verso il basso ruotare lo scudo per correnti d'aria consentendo ai bordi inferiori di scorrere sotto gli incavi della ghiera di metallo. Continuare a ruotare lo scudo fino a quando l'apertura non è rivolta sul davanti. Vedere la Figura 3-1.

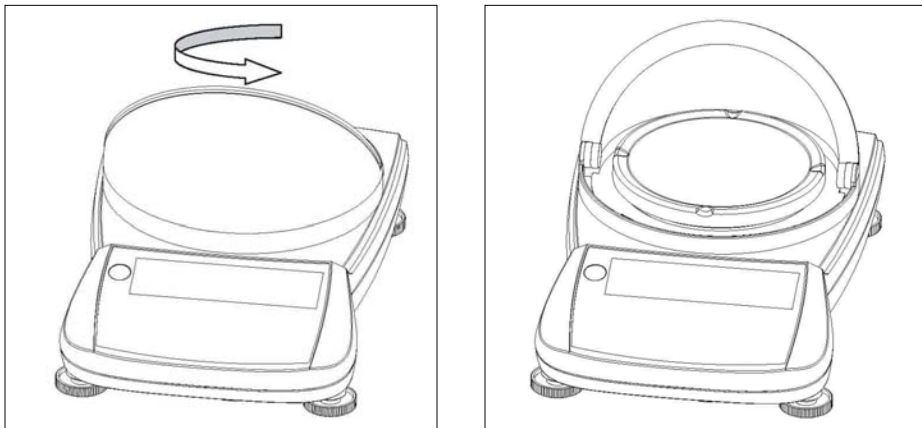


Figura 3-1. Installazione dello scudo per correnti d'aria.

## 2.7 Taratura Iniziale

Accendere la bilancia premendo **On-Zero**. Prima di cominciare le operazioni di taratura, consentire alla bilancia di per almeno un minuto. Tenere premuto il pulsante **Print/Cal** fino a quando non viene visualizzato [EFL]. Il display lampeggia [-E-] mentre viene rilevata la lettura dello zero. Sul display viene visualizzata la massa di intervallo richiesta. Posizionare la massa di taratura indicata sul vassoio e premere **Yes**. Sul display lampeggia [-E-]. Quando la taratura è completa, viene visualizzato [done].

**Nota:** la taratura è disponibile anche dal menu di impostazione, vedere la sezione 4.2.1.

### 3. FUNZIONAMENTO

Premere **Zero** per azzerare la bilancia e quindi posizionare gli oggetti da pesare sul vassoio.

Alcune Modalità e unità di misura possono non essere disponibili inizialmente. Possono essere attivate dal menu principale Unità [g, oz, ct], vedere la sezione 4.

#### 3.1 Unità di Pesare

Premere **Unit** per avanzare alla successiva unità di pesare disponibile.

#### 3.2 Modalità di Pesare

Per accedere alle modalità di pesare tenere premuto **Mode** (Modalità) fino a quando sul display non viene visualizzata la modalità desiderata. Per uscire dalle modalità di pesare tenere premuto **Mode** fino a quando sul display non viene visualizzata l'unità di pesare precedente.

##### 3.2.1 Modalità conteggio parti

Usare la modalità **PC** (Conteggio) per contare le parti con peso uniforme.

Per avviare il conteggio delle parti, premere **On-Zero**, per tarare il contenitore o per azzerare il display.

Accedere alla modalità conteggio- Tenere premuto **Mode** fino a quando sul display non viene visualizzato **PC**. Viene visualizzato [CT.PC].

Determinazione del peso medio per pezzo (APW) - Ogni volta che si deve contare un nuovo tipo di pezzo, è necessario determinare il peso nominale di un pezzo (peso medio per pezzo) utilizzando una piccola quantità di pezzi.

Con Clear APW (Cancella APW) [CT.PC] visualizzato, premere **No** per utilizzare l'APW salvato in precedenza o premere **Yes** (Sì) per stabilire un nuovo APW. Il display indica il numero di pezzi da utilizzare per determinare il nuovo APW.

Se si preferisce una dimensione diversa di campionatura, premere **No** finché non viene visualizzata la dimensione di campionatura desiderata (5, 10, 20, 50 o 100). Collocare il numero specificato di parti sul vassoio. Premere **Yes** (Sì) per accettare e visualizzare il peso medio per pezzo. Quando il nuovo valore APW è stato stabilito, sul display viene visualizzato il numero di pezzi.

Miglioramento APW – Poiché il peso di ciascun pezzo può variare leggermente, il miglioramento dell'APW (quando attivato -  $\Sigma \rho \epsilon . \epsilon \rho \eta$ ) può essere utilizzato per aumentare la precisione del conteggio. Il valore del peso medio per pezzo viene ricalcolato automaticamente se il peso stabile successivo è minore o uguale al doppio del peso del campione originale. Il miglioramento continua se ciascun peso aggiuntivo è minore o uguale al peso precedente. Sul display viene visualizzato [ $\rho \rho \mu . \epsilon \rho \eta$ ] quando il valore APW viene ricalcolato.

Determinare nuovo APW –Tenere premuto fino a quando “**PC**” non lampeggia.

Conteggio- Premere il pulsante **Zero**. Posizionare la quantità da conteggiare sul vassoio.

Uscire - Tenere premuto **Mode** fino a quando non viene visualizzata l'unità di pesare precedente.

## 4. IMPOSTAZIONI

Impostazioni che consentono agli utenti la personalizzazione della bilancia.

### 4.1 Struttura dei Menu

La Tabella 4-1 illustra la struttura dei menu.

**TABELLA 4-1. MENU.**

<u>S.E.T.U.P</u>		<u>U.n.i.t.</u>	<u>E.n.d.</u>
<b>A-OFF</b>	On <b>OFF</b>	U.n. i.t. g	On* <b>OFF</b>
<b>L.Ght</b>	On Auto <b>OFF</b>	U.n. i.t. kg	On <b>OFF</b>
<b>SPAN</b>	Premere Yes o No	U.n. i.t. lb	On <b>OFF</b>
<b>L on</b>	Premere Yes o No	U.n. i.t. oz	On <b>OFF</b>
<b>End</b>	Premere Yes o No	U.n. i.t. ozt	On <b>OFF</b>
		U.n. i.t. GN	On <b>OFF</b>
		U.n. i.t. ct	On* <b>OFF</b>
		U.n. i.t. t hk	On <b>OFF</b>
		U.n. i.t. t sg	On <b>OFF</b>
		U.n. i.t. t tw	On <b>OFF</b>
		U.n. i.t. dwt	On <b>OFF</b>
		U.n. i.t. tola	On <b>OFF</b>
		U.n. i.t. tical	On <b>OFF</b>
		U.n. i.t. PC Count	On <b>OFF</b>
		Ent.Enh	<b>OFF</b>
	End	Premere Yes o No	

#### Notas:

Unità	Simbolo	Fattore
Grammo	g	1
Grano	GN	15.432
Carat	ct	5
Chilogrammo	kg	0.001
Oncia	uncia	35.273e-3
Oncia Troy	ozt	32.150e-3
Teal hk	t hk	26.718e-3
Teal hk	t sg	26.455e-3
Teal tw	t tw	26.668e-3
Tola	tola	85.735e-3
Tical	tical	61.239e-3
Penny	dwt	64.301e-3
Libbra	libbra	2.204e-3

#### Modalità

Conteggio parti PC

Le impostazioni predefinite dei menu sono indicate in

#### grassetto

\*I modelli Gold sono dotati di unità g predefinita.

\*I modelli Carat sono dotati di unità Ct predefinita.

kg ed lb non sono disponibili nei modelli di capienza più bassa. Vedere la Tabella 6-1.



## 4.2 Navigazione nei menu

I menu di livello superiore sono identificati dai punti decimali tra ciascuna coppia di lettere successive, ad esempio [5.È.È.Ù.Þ].

**Per Accedere al Menu:** A bilancia spenta, tenere premuto il pulsante **On**. Continuare a tenere premuto il pulsante **On** fino a quando non viene visualizzato [5.È.È.Ù.Þ]. A ciascun menu principale si accede premendo **Yes**. Si avanza al menu successivo premendo **No**.

**Modifica delle Impostazioni:** In ciascun menu principale sono disponibili i sottomenu. Si accede a ogni sottomenu premendo **Yes**. Si avanza al sottomenu successivo premendo **No**. Per accettare l'impostazione del sottomenu visualizzato, premere **Yes**. Per avanzare all'impostazione successiva, premere **No**.

**Menu Exit:** L'ultima voce di ciascun sottomenu è [È.ñ.ð]. Premere **Yes** per tornare al menu principale. L'ultima voce di ciascun menu principale è [È.ñ.ð]. Premere **Yes** per tornare alla modalità di pesare precedente.

### 4.2.1 Menu Impostazioni [5.È.È.Ù.Þ.]

Il menu delle impostazioni contiene i sottomenu seguenti:

**Spegnimento automatico [A-OFF]:** Impostazioni di spegnimento automatico: **On OFF\*\***. L'attivazione dell'impostazione [On] provocherà lo spegnimento automatico della bilancia dopo il rilevamento di un periodo di inattività di quattro minuti.

**Illuminazione [L.È.È.Ù.Þ]:** Impostazioni retroilluminazione: **On** (Acceso), **OFF\*\*** (Spento) o **Auto** (Automatico). Se si seleziona [Auto] la bilancia attiva la retroilluminazione quando la bilancia rileva qualche attività. (minimo 2 secondi)

**Taratura a intervallo [SPRR]:** Utilizza due valori di pesare: Lo zero e un valore pari o vicino alla portata totale della bilancia. È necessario eseguire la taratura a intervallo se la bilancia viene riposizionata o quando varia la temperatura ambiente.

**Calibrazione di linearità [L n]:** Utilizza tre valori di pesare: Zero, valore di raggio medio e portata completa. Di solito questo tipo di taratura non è necessaria a meno che le operazioni di test non mostrano che l'errore di linearità supera il valore della tolleranza di linearità nella tabella delle specifiche. L'accuratezza dei pesi è importante per mantenere l'integrità delle operazioni di pesare.

\*\*Selezionando [OFF] si riduce il consumo della batteria.

#### 4.2.2 Menu Unità [U.n. t.t.]

È possibile impostare ogni singola unità di pesare o modalità On o OFF. Vedere la Tabella 4-1 per tutti i simboli associati con ciascuna unità o modalità.

#### 4.2.3 Altri Menu

I menu aggiuntivi sono disponibili se viene installata sulla bilancia un'interfaccia seriale opzionale. Tali menu sono spiegati all'interno del manuale dell'utente di ciascun kit opzionale.

### 4.3. Funzione di blocco della taratura


Facendo scorrere l'interruttore completamente nella posizione di blocco  impedisce la taratura della bilancia. L'utilizzo di un sigillo di carta o a filo fisserà fisicamente l'interruttore se necessario.



Figura 4-1. Blocco e sigillo dell'interruttore di blocco della taratura.

#### 4.4 Funzione Pesare da sotto

Il gancio per pesare da sotto è conservato dentro il coperchio della batteria. Infilare il gancio nel foro di accesso nell'estremità inferiore della bilancia. Montare la bilancia su un gruppo appropriato che lascia spazio libero di lavoro sotto il gancio. Vedere la Figura 4-2. **Nota:** Non lasciare bilancia poggiare direttamente sul gancio.

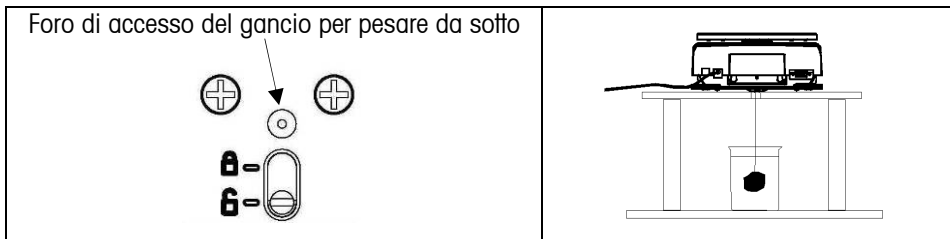


Figura 4-2. Impostazione per l'utilizzo del gancio per pesare da sotto

## 5. MANUTENZIONE

### 5.1 Individuazione guasti

La tabella seguente elenca alcuni problemi comuni, le loro cause possibili e le varie soluzioni. Se il problema persiste, contattare Ohaus o un rivenditore autorizzato.

**TABELLA 5-1. RISOLUZIONE DEI PROBLEMI.**

Sintomo	Causa possibile	Soluzione
Impossibile accendere la bilancia	<ul style="list-style-type: none"> <li>• Bilancia non alimentata</li> <li>• Batterie scariche o non installate in maniera corretta</li> </ul>	<ul style="list-style-type: none"> <li>• Verificare connessioni e tensione dell'adattatore CA</li> <li>• Sostituire le batterie, controllare la polarità.</li> </ul>
Scarsa precisione	<ul style="list-style-type: none"> <li>• Taratura errata</li> <li>• Ambiente non stabile.</li> <li>• Blocco di trasporto impostato</li> <li>• Detriti che toccano il vassoio</li> <li>• Lo scudo per correnti d'aria tocca il vassoio o il campione.</li> </ul>	<ul style="list-style-type: none"> <li>• Eseguire la taratura.</li> <li>• Spostare la bilancia in una posizione adatta.</li> <li>• Far scorrere il pin fino alla posizione di sblocco.</li> <li>• Pulire i detriti accanto o sotto il vassoio.</li> <li>• Controllare che il vassoio sia completamente in posizione, controllare il peso del campione.</li> </ul>
Impossibile tarare la bilancia	<ul style="list-style-type: none"> <li>• Ambiente non stabile.</li> <li>• Massa di taratura non corretta</li> <li>• Blocco di trasporto impostato</li> <li>• L'interruttore del blocco di taratura è impostato</li> </ul>	<ul style="list-style-type: none"> <li>• Spostare la bilancia in una posizione adatta.</li> <li>• Utilizzare un masse di taratura corrette</li> <li>• Far scorrere il pin fino alla posizione di sblocco.</li> <li>• Far scorrere l'interruttore fino alla posizione di sblocco.</li> </ul>
Err 1	<ul style="list-style-type: none"> <li>• Dati somma di controllo non validi.</li> </ul>	<ul style="list-style-type: none"> <li>• Accendere, spegnere.</li> <li>• Contattare Ohaus o un rivenditore autorizzato.</li> </ul>
Err 2	<ul style="list-style-type: none"> <li>• Condizione di sovraccarico o di soffocarico.</li> </ul>	<ul style="list-style-type: none"> <li>• verificare che il vassoio sia installato e/o il peso in eccesso rimosso.</li> </ul>

Sintomo	Causa possibile	Soluzione
	<ul style="list-style-type: none"> <li>• Blocco di trasporto impostato</li> <li>• Taratura errata</li> </ul>	<ul style="list-style-type: none"> <li>• Far scorrere il pin fino alla posizione di sblocco.</li> <li>• Eseguire la taratura.</li> </ul>
Err 4	<ul style="list-style-type: none"> <li>• Massa di taratura non valida.</li> </ul>	<ul style="list-style-type: none"> <li>• Verificare l'utilizzo della massa di taratura corretta.</li> </ul>
Err 8	<ul style="list-style-type: none"> <li>• Il buffer RS232 è completo.</li> </ul>	<ul style="list-style-type: none"> <li>• Spegnerne, accendere la bilancia.</li> <li>• Controllare le impostazioni della RS232 nella bilancia e nel computer quando viene installata la RS232 opzionale.</li> </ul>
Err 9	<ul style="list-style-type: none"> <li>• Errore dati interno.</li> </ul>	<ul style="list-style-type: none"> <li>• Contattare Ohaus o un rivenditore autorizzato.</li> </ul>
 (lampeggiante)	<ul style="list-style-type: none"> <li>• La batteria è scarica.</li> </ul>	<ul style="list-style-type: none"> <li>• Sostituire le batterie a breve.</li> </ul>
<b>bAtE LOuJ</b>	<ul style="list-style-type: none"> <li>• La batteria è troppo scarica per un corretto funzionamento.</li> </ul>	<ul style="list-style-type: none"> <li>• Sostituire le batterie.</li> </ul>

## 5.2 Informazioni relative all'assistenza

Se la sezione Individuazione guasti non risolve o non descrive il problema incontrato, contattare l'assistenza tecnica autorizzata Ohaus. Per l'assistenza negli Stati Uniti, chiamare il numero verde USA 800-526-0659 tra le 8.00 e le 17.00 EST (ora della costa orientale degli Stati Uniti). Il personale specializzato addetto alla manutenzione Ohaus sarà disponibile per l'assistenza. Fuori dagli Stati Uniti, consultare il nostro sito Web, [www.ohaus.com](http://www.ohaus.com), per individuare l'ufficio Ohaus più vicino.

## 6. DATI TECNICI

### 6.1 Specifiche tecniche

**TABELLA 6-1. SPECIFICHE TECNICHE.**

Modello	TAJ203	TAJ202	TAJ402	TAJ602	TAJ501	TAJ2001	TAJ4001	TAJ6000
Capacità (g)	200 ct	200	400	600	500	2000	4000	6000
Leggibilità (g)	0.005 ct	0.01	0.01	0.01	0.1	0.1	0.1	1
Linearità (d)	±3	±1	±1	±2	±1	±1	±1	±1
Ripetibilità (g)	0.015 ct	0.01	0.01	0.01	0.1	0.1	0.1	1
Massa di intervallo (g)	20*	200	200	300	300	1000	2000	3000
Masse di linearità (g)	20 40	100 200	200 400	300 600	300 500	1000 2000	2000 4000	3000 6000
Unità di pesare/Moda-lità	Grammo, Grano, Carato, Chilogrammo <sup>1</sup> , Oncia, Oncia Troy, Teal Hong Kong, Teal Taiwan, Teal Singapore, Tola, Tical, Pennyweight, Libbra <sup>2</sup> , Conteggio parti.							
Intervallo di tara	A capacità per sottrazione							
Tempo di stabilizzazione	< 3							
Temperatura di	10-40 °C/50-104 °F /							
Umidità relativa di	30-90%							
Dimensioni vassoio (mm)	100 diam.	137 x 140						

\* Incluso con la bilancia

<sup>1</sup> TAJ2001, TAJ4001, TAJ6000 modelli soltanto.

<sup>2</sup> TAJ501, TAJ602, TAJ2001, TAJ4001, TAJ6000 modelli soltanto.

### 6.2. Accessori

**TABELLA 6-2. ACCESSORI.**

ACCESSORIO	NUMERO PARTE
Kit interfaccia RS232	72206287
Kit interfaccia USB	72206288
Kit per la densità relativa	72202685
Dispositivo di sicurezza	76288-01
Stampante seriale	Vedere il sito Web <a href="http://www.ohaus.com">www.ohaus.com</a> , oppure contattare il rivenditore
Adattatore, dalla RS232 alla stampante	80500572
Display ausiliario	TAD7
Masse di taratura	Vedere il sito Web <a href="http://www.ohaus.com">www.ohaus.com</a> , oppure contattare il rivenditore

## 6.3 Disegni tecnici

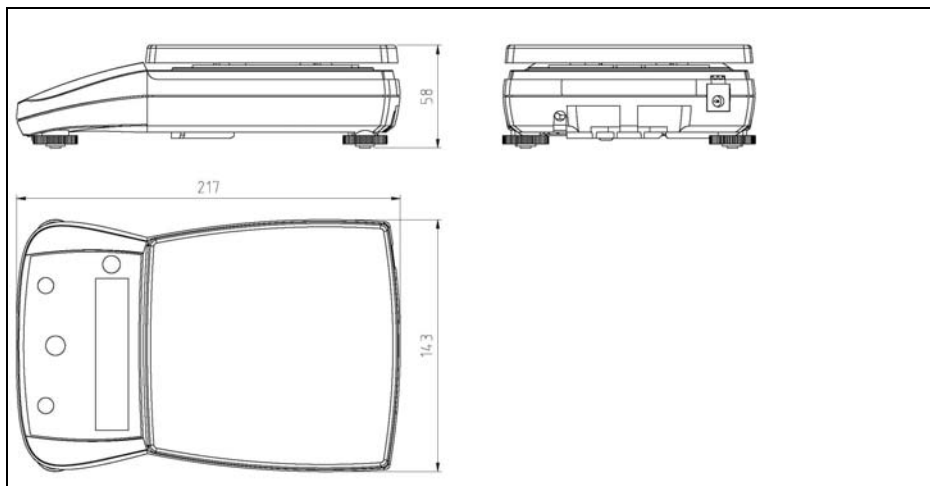


Figura 6-1. Dimensioni complessive, Modello di Gold.

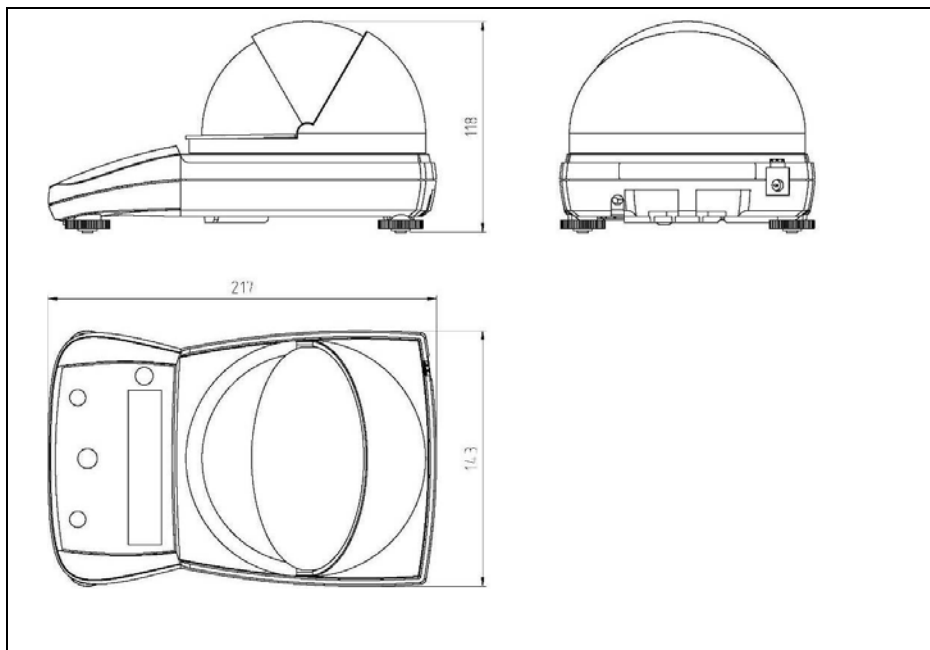


Figura 6-2. Dimensioni complessive, Modello di Carat.

### **GARANZIA LIMITATA**

I prodotti Ohaus sono garantiti da difetti nel materiale e nell'esecuzione a partire dalla data di consegna per tutta la durata del periodo di garanzia. Durante il periodo di garanzia, la Ohaus riparerà o, a suo giudizio, sostituirà ogni componente che risulterà essere difettoso gratuitamente, purché il prodotto venga restituito, nolo anticipato, alla Ohaus.

Tale garanzia non si applica nel caso in cui il prodotto sia stato danneggiato accidentalmente o per cattivo utilizzo, esposto a materiale radioattivo o corrosivo, abbia del materiale estraneo al suo interno, o sia danneggiato come conseguenza dell'assistenza o di un intervento di modifica da parte di personale diverso da quello della Ohaus. Dietro debito invio della scheda di garanzia, il periodo di garanzia decorrerà a partire dalla data di spedizione al rivenditore autorizzato. Non viene data altra garanzia espressa o implicita da parte della Ohaus Corporation. La Ohaus Corporation non sarà ritenuta responsabile di qualsiasi danno conseguente.

Poiché la legislazione di garanzia è diversa da stato a stato e da paese a paese, si prega di contattare la Ohaus o il vostro rivenditore autorizzato Ohaus per ulteriori dettagli.



Ohaus Corporation  
19A Chapin Road  
P.O. Box 2033  
Pine Brook, NJ 07058-2033, USA  
Tel: (973) 377-9000,  
Fax: (973) 944-7177

With offices worldwide / Con oficinas alrededor del mundo / Avec des bureaux dans le monde entier / Weltweite Geshäftsstellen / Con uffici in tutto il mondo

[www.ohaus.com](http://www.ohaus.com)



P/N 80251718 © Ohaus Corporation 2007, all rights reserved / todos los derechos reservados / tous droits réservés / Alle Rechte vorbehalten / tutti i diritti riservati.

Printed in China / Impreso en la China / Imprimé en Chine / Gedruckt in China / Stampato in Cina.