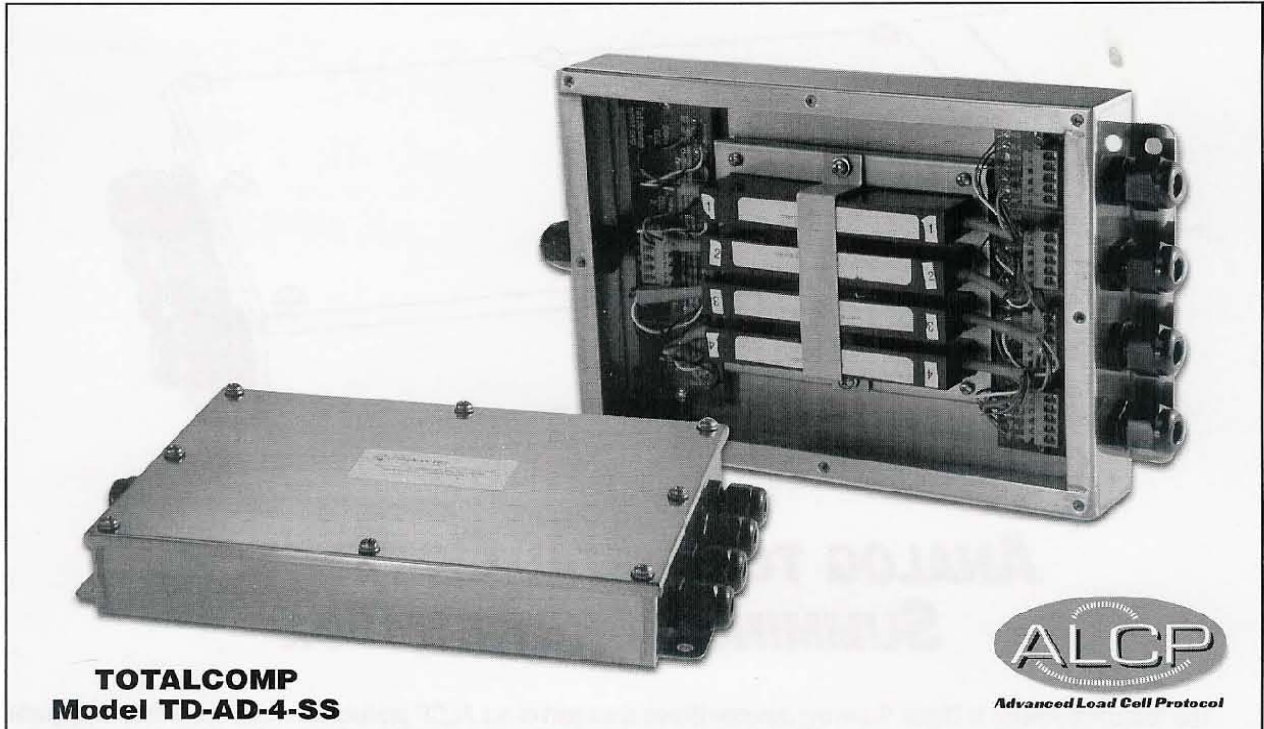


# TD-AD-4-SS

# JUNCTION BOX



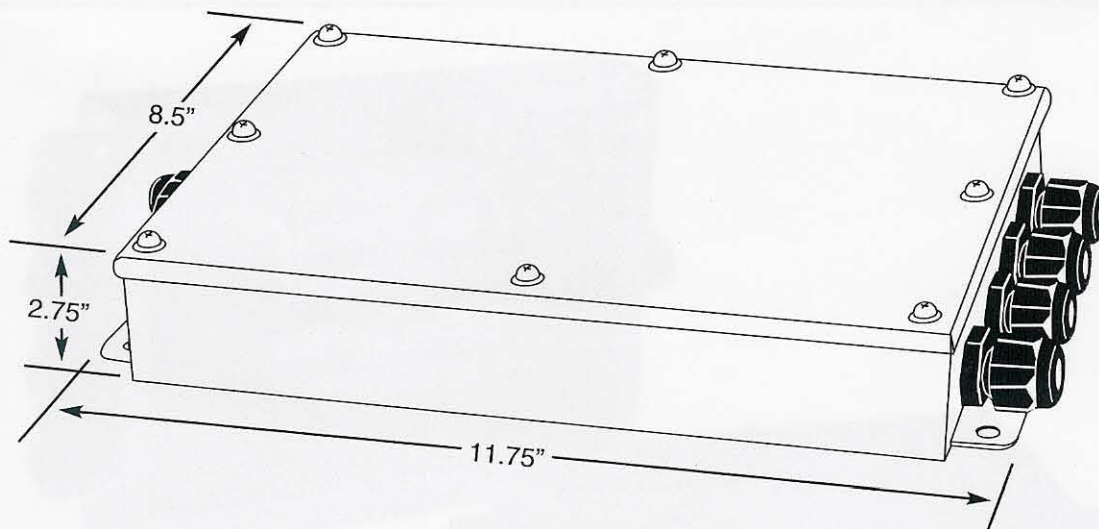
## Upgrades analog load cells into super fast and accurate Digital Load Cells!

- ✓ **Use with 1, 2, 3, or 4 standard load cells.**
- ✓ **Potentiometers are not required!**
- ✓ **Simple connection with lever-type terminal blocks.**
- ✓ **Stainless steel enclosure and nylon strain reliefs resist corrosion.**
- ✓ **Circuit card is designed to connect twisted pair cables with shield.**



**Totalcomp**<sup>®</sup> Scales & Components

99 Reagent Lane • Fair Lawn, New Jersey 07410  
Fax: 201-797-2287 • Toll Free Fax: 888-797-2288 • Phone: 201-797-2718 • Toll Free Phone: 800-631-0347  
Email: [sales@totalcomp.com](mailto:sales@totalcomp.com) • Website: [www.totalcomp.com](http://www.totalcomp.com)



## ANALOG TO DIGITAL CONVERTOR SUMMING JUNCTION BOX

The Totalcomp Analog to Digital Summing Junction Boxes are a part of our ALCP product line made specifically to upgrade any standard load cells to digital!

The NEMA 4 rated weather-tight enclosure is constructed of corrosion resistant stainless steel. Each junction box contains a printed circuit board, which has simple lever-type terminals. External corrosion proof nylon strain reliefs are provided for cable sizes ranging .197" - .354" diameter.

The summing card can handle from 1 to 4 load cells and potentiometers are not required because balance adjustments are done from within the indicator.

Description	Part Number	# of Cells	Weight
Stainless Steel Nema 4 enclosure w/ summing card	TD-AD-4-SS	1-4	2 lb.
Summing Card only	TD-AD-4	1-4	0.5 lb.

### TOTALCOMP LIMITED WARRANTY

*Totalcomp* warrants this product to be free of defects in materials and/or workmanship and suitable for the purpose(s) intended as outlined on this sheet. This warranty is effective and shall cover the purchaser for one year from the date of shipment from our plant. If this product is found to be defective by our inspection in accordance with the above listed criteria, we will replace or repair it at our expense. For warranty service, please obtain a return authorization number from us and return the item, shipping prepaid, with a written description of the problem. We will respond promptly with the results of our evaluation.



# Totalcomp<sup>®</sup>

## Scales & Components

99 Reagent Lane  
Fair Lawn, NJ 07410  
Fax (201) 797-2287  
Toll Free Fax (888) 797-2288  
Phone (201) 797-2718  
Toll Free Phone (800) 631-0347  
Email [sales@totalcomp.com](mailto:sales@totalcomp.com)  
Website [www.totalcomp.com](http://www.totalcomp.com)