

# TDE40

# DOUBLE LINK SHEAR BEAM



**TOTALCOMP**  
Model TDE40

**Totalcomp's double link beam  
is designed for truck  
scale applications.**

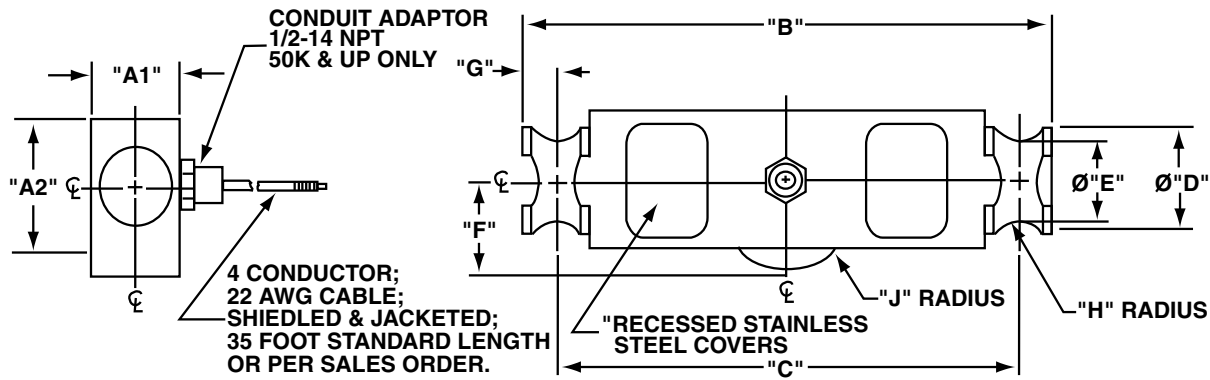
- ✓ **Convex Bearing Point.**
- ✓ **Fully Potted Gage Areas.**
- ✓ **Comes with 35 ft., 4 Conductor Cable.**
- ✓ **Available in Capacities from 25k to 200k lbs.**
- ✓ **Nickel Plated, High Alloy Tool Steel Element.**
- ✓ **Environmentally Protected.**



**Totalcomp**<sup>®</sup> Scales & Components

99 Reagent Lane • Fair Lawn, New Jersey 07410

Fax: 201-797-2287 • Toll Free Fax: 888-797-2288 • Phone: 201-797-2718 • Toll Free Phone: 800-631-0347



**Model TDE40**

## DOUBLE LINK SHEAR BEAM

### REPLACES SENSORTRONICS 65040 AND CMI TRUCK LOAD CELLS

The Totalcomp TDE40 Series Double Link Shear Beam cells are ideal replacements for Sensortronics 65040 and CMI truck load cells. The environmentally sealed alloy steel housing provides protection when used in areas where foreign particles and/or corrosive substances are present.

Part Number	Capacity	Weight	A	B	C	D	E	F	G	H	J
TDE40-25K	25,000 lb.	24 lb.	8.25	7.25	2.44	1.94	2.0	1.63	0.50	1.75	0.50
TDE40-40K	40,000 lb.	24 lb.	8.25	7.25	2.44	1.94	2.0	1.63	0.50	1.75	0.50
TDE40-50K-SE*	50,000 lb.	24 lb.	8.25	7.25	2.44	1.94	2.0	1.63	0.50	1.75	0.50
TDE40-50K	50,000 lb.	30 lb.	11.50	10.00	2.94	1.94	2.2	1.70	0.75	2.00	1.00
TDE40-60K	60,000 lb.	30 lb.	11.50	10.00	2.94	1.94	2.2	1.70	0.75	2.00	1.00
TDE40-65K	65,000 lb.	30 lb.	11.50	10.00	2.94	1.94	2.2	1.70	0.75	2.00	1.00
TDE40-75K	75,000 lb.	30 lb.	11.50	10.00	2.94	1.94	2.2	1.70	0.75	2.00	1.00
TDE40-100K	100,000 lb.	45 lb.	14.50	12.50	3.86	2.90	3.2	2.44	1.00	2.75	1.50
TDE40-125K	125,000 lb.	45 lb.	14.50	12.50	3.86	2.90	3.2	2.44	1.00	2.75	1.50
TDE40-200K	200,000 lb.	45 lb.	14.50	12.50	3.86	2.90	3.2	2.44	1.00	2.75	1.50

\*Small Envelope

#### Performance

**Full Scale Output**  
3.00 +/-25% mV/V

**Combined Error**  
±0.03% FS

**Nonlinearity**  
±0.03% FS

**Hysteresis**  
±0.02%

**Creep**  
±0.03% FS in 20 min

**Non-Repeatability**  
±0.01% FS

**Zero Balance**  
±1% FS

**Overload, Safe**  
150% FS

**Overload, Ultimate**  
300% FS

#### Electrical

**Bridge Resistance**  
Input 700 ohms  
Output 700 ohms

**Excitation Voltage**  
15VDC (25VDC Max)

**Insulation Resistance**  
1KM ohms@50VDC

#### Temperature

**Compensated Range**  
-10°C to +40°C

**Temperature Operating Range**  
-16°C to +65°C

**Effect on Zero Balance**  
0.0015% FS/deg F

**Effect on FS Output**  
0.0008% FS/deg F

#### Mechanical

**Material**  
Alloy Steel

**Finish**  
Nickel Plated

**Sealing**  
IP67

#### Wiring

**Cable Length & Type**  
35 foot, 4 conductor

**Cable Color Code**  
+ Excitation .....Red  
- Excitation .....Black  
+ Output .....Green  
- Output .....White  
Shield .....Bare

#### TOTALCOMP LIMITED WARRANTY

Totalcomp warrants this product to be free of defects in materials and/or workmanship and suitable for the purpose(s) intended as outlined on this sheet. This warranty is effective and shall cover the purchaser for one year from the date of shipment from our plant. If this product is found to be defective by our inspection in accordance with the above listed criteria, we will replace or repair it at our expense. For warranty service, please obtain a return authorization number from us and return the item, shipping prepaid, with a written description of the problem. We will respond promptly with the results of our evaluation.



# Totalcomp®

**Scales & Components**

**99 Reagent Lane  
Fair Lawn, NJ 07410**

**Fax (201) 797-2287**

**Toll Free Fax (888) 797-2288**

**Phone (201) 797-2718**

**Toll Free Phone (800) 631-0347**