

RFX™ Wireless Tension Link Scales

Wireless, Cost-Effective, Solution for Overhead Load Management



Light-Weight, Compact Design for Cranes, Riggers, Shipyards, Construction Sites, Surveyors, Inspectors & Utilities

When working around overhead loads or measuring line tension, accuracy and safety cannot be compromised. The TL8000™ and TL8500™ Series Tension Link scales from Intercomp are the industry standard for controlling and monitoring overhead loads and line tension while helping to maintain a safe work environment.

Machined from aerospace-grade aluminum with shock-mounted electronics in a NEMA 4x/IP65 weatherproof enclosure, Intercomp's Tension Link scales are built to last in capacities ranging from 500lbs (250kgs) to 300 tons.

Standard features include an easy-to-read 1.2" (30mm) LCD Display with backlight and fully integrated wireless communication, while alkaline batteries provide up to 300 hours of power.



RFX™ Wireless

TL8500™ Tension Link Scale

For stand-alone applications when you require an on-board display or prefer the dual functionality of combining your tension link(s) with a remote indicator, the TL8500™ combines the most functionality and flexibility into one complete device.

Capacities to 10,000lbs (5,000kgs) are machined from aerospace-grade aluminum. Stainless/Chromoly Steel is used for capacities of 25,000lbs (12,500kgs) and higher.

Industry-Leading features available on all models:



 Standard Wireless Radio with no External Antennas

Large, Backlit, 5-Digit, 1.2" (30mm) Character LCD Graphic Display

Indicators for Set Point, Peak, Low-Battery & Units Including: lb, kg, N, daN, ton, kg x 1000

Dedicated Hard Keys for On/Off & Mode

Easily Accessible Batteries Last up to 300 Hours of Continuous Use. Standby Mode Provides up to 2,000 Hours of Battery Life

Sized to Accommodate Industry Standard Shackles



TL8000™

For applications where viewing a display at the link is not feasible or protection from extreme elements is a must, the TL8000™ Tension Link scale is designed with all of the functionality of the TL8500™ but without the self-contained display at the link. TL8000™ is packaged to include the TL-RFX™ Indicator to view and control the scale at safe distances.



RFX™ Wireless

TL-RFX™ Indicator

Intercomp's TL-RFX™ Indicator is a wireless remote display for viewing and controlling TL8000™ and TL8500™ Series Tension Link Scales from up to 300' (90m), line of sight. It offers three display modes, depending on your operational requirements and allows simultaneous viewing of data from up to four links, including total weight. The large, 3.3" (84mm) graphic display (measured diagonally) is standard with backlight for improved visibility from most viewing angles. Also features output to RFX™ Enabled Wireless Printers.

Fully Integrated RFX™ Wireless Weighing Technology

- Keys for Power, Zero, Tare, Peak, Accumulate, Menu, Recall & Print
- Set & Control up to Two Set Points
- Standard Backlight
- Optional Wireless Relay Control of Cranes & Other Devices
- Operates on Standard AA Alkaline Batteries for up to 40 Hours



View single scale weight reading (Default Screen)



View total weight of a single scale & accumulated weight for all weighings performed



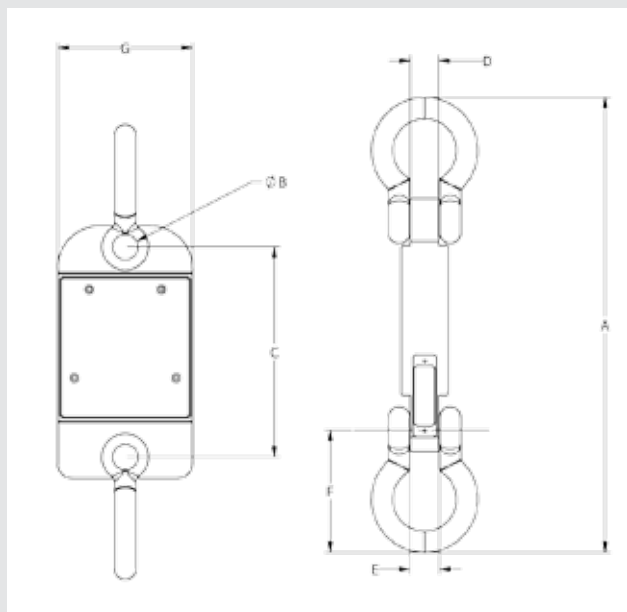
Read up to four scales simultaneously, including Total, Gross, Net, Tare & Peak - All On One Screen!



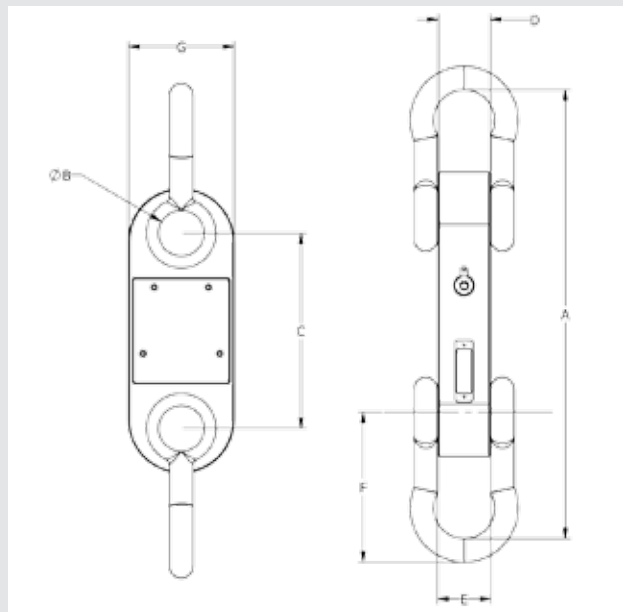
RFX™ Wireless Weighing

Intercomp's RFX™ Wireless Weighing easily and cost-effectively improves the efficiency and convenience of creating your own network of devices. The small, low-power, digital radios operate on 2.4 GHz and are within commercial, worldwide, industrial, scientific and medical (ISM) radio bands. Each radio contains a unique communication protocol and is encrypted for safe and secure signal at distances of up to 300' (90m) line of sight.

Specifications



500lb to 10,000lb (250kg to 5,000kg) Capacities



25,000lb (12,500kg) Capacities and Higher

CAPACITY	GRADUATION	A	B	C	D	E	F	G
500lb (250kg)	0.5lb (0.2kg)	13" (304mm)	0.81" (21mm)	7.42" (178mm)	1" (25mm)	1.69" (43mm)	2" (51mm)	4.75" (121mm)
1,000lb (500kg)	1lb (0.5kg)	13" (304mm)	0.81" (21mm)	7.42" (178mm)	1" (25mm)	1.69" (43mm)	2" (51mm)	4.75" (121mm)
2,000lb (1,000kg)	2lb (1kg)	13" (304mm)	0.81" (21mm)	7.42" (178mm)	1" (25mm)	1.69" (43mm)	2" (51mm)	4.75" (121mm)
5,000lb (2,500kg)	5lb (2kg)	13" (304mm)	0.81" (21mm)	7.42" (178mm)	1" (25mm)	1.69" (43mm)	2" (51mm)	4.75" (121mm)
10,000lb (5,000kg)	10lb (5kg)	15.22" (386mm)	1.06" (27mm)	7.60" (193mm)	1.40" (36mm)	2.28" (58mm)	2.77" (56mm)	5" (127mm)
25,000lb (12,500kg)	20lb (10kg)	20.9" (530mm)	1.69" (212mm)	8.7" (212mm)	2.13" (54mm)	3.63" (92mm)	4.3" (109mm)	5" (127mm)
50,000lb (25,000kg)	50lb (20kg)	24.7" (627mm)	2.06" (52mm)	9.20" (234mm)	2.44" (62mm)	5" (127mm)	5.93" (151mm)	5" (127mm)
100,000lb (50,000kg)	100lb (50kg)	29.49" (749mm)	2.81" (72mm)	10.69" (271mm)	3.88" (99mm)	7.25" (184mm)	9.4" (240mm)	5" (127mm)
160,000lb (80,000kg)	200lb (100kg)	32.6" (828mm)	2.81" (72mm)	10.69" (271mm)	3.88" (99mm)	7.88" (200mm)	7.8" (198mm)	5.4" (138mm)
220,000lb (110,000kg)	200lb (100kg)	38.4" (975mm)	3.5" (89mm)	12.4" (315mm)	4.45" (113mm)	7.88" (200mm)	8.5" (215mm)	5.9" (150mm)
350,000lb (175,000kg)	500lb (200kg)	44" (1,118mm)	4.5" (114mm)	15" (381mm)	5.25" (133mm)	10" (254mm)	8.88" (225mm)	7" (178mm)
400,000lb (200,000kg)	500lb (200kg)	47.8" (1,214mm)	5" (127mm)	16.57" (421mm)	7" (178mm)	11" (279mm)	9.37" (237mm)	7.75" (197mm)
500,000lb (250,000kg)	500lb (200kg)	62.55" (1,588mm)	5.25" (133mm)	18.07" (459mm)	8.75" (222mm)	13" (330mm)	17.88" (454mm)	8.45" (215mm)

Available Options:

Rockwell 40 Hardness Heat Treatment
 Set Point Relay Output Control Kit
 External Set Point Audible Alarm
 RS232 Output

Top & Bottom Shackles
 Carrying Case
 Direct Power

Performance

Accuracy

500lb (250kg) to 100,000lb (50,00kg):
 ±0.1% of Capacity
 160,000lb (80,000kg) and Above:
 ±0.5% of Capacity

Controls

General: On, Off, Mode, Zero, Peak & Tare
 Display: LCD on TL8500™, There is no Display on TL8000™
 Display Characters: 1.2" (30mm)

Environmental

Temperature: -14° to 140°F (-10° to 60°C)

Electrical

Scale Battery: Standard Alkaline 9-Volt
 Indicator Battery: Standard Alkaline AA

Battery Life

Scales: Standard Life of 400 Hours
 Wireless Enabled is 300 Hours
 Standby Mode 2,000 Hours
 40 Hours

Remote:

info@intercompcompany.com

Worldwide: +1 763-476-2531

Toll Free: 800-328-3336



intercompcompany.com

CE ISO 9001:2008
 Registered
 Printed in the U.S.A.