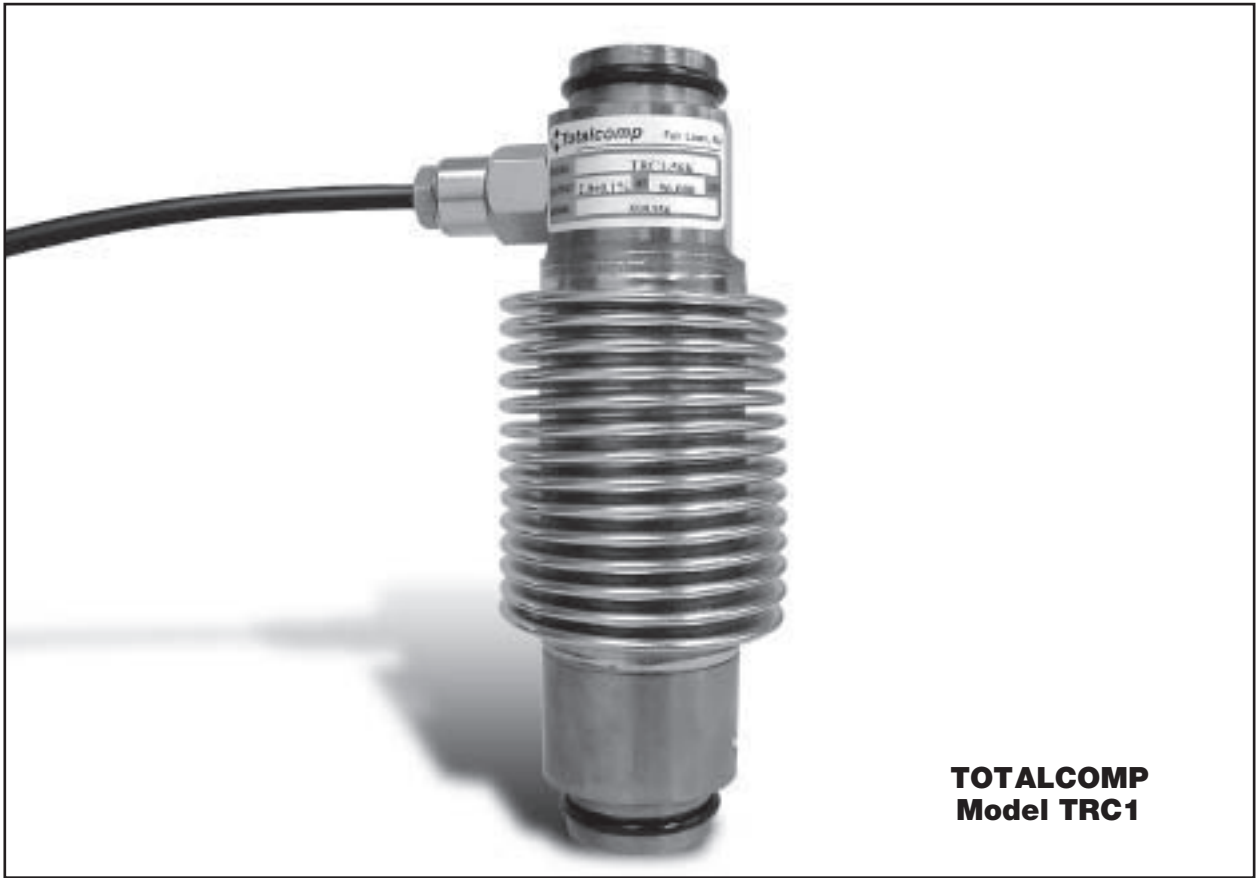


# TRC1

# CANISTER LOAD CELL



**TOTALCOMP  
Model TRC1**

**Totalcomp's TRC1 canister load cell is inter changeable with Flintec<sup>®</sup> RC1.**

- ✓ ***Alloy steel construction.***
- ✓ ***IP67 sealed.***
- ✓ ***Rocker column.***
- ✓ ***Capacities of 56K or 96K.***
- ✓ ***Compression cell.***
- ✓ ***50 ft. 4 conductor cable.***

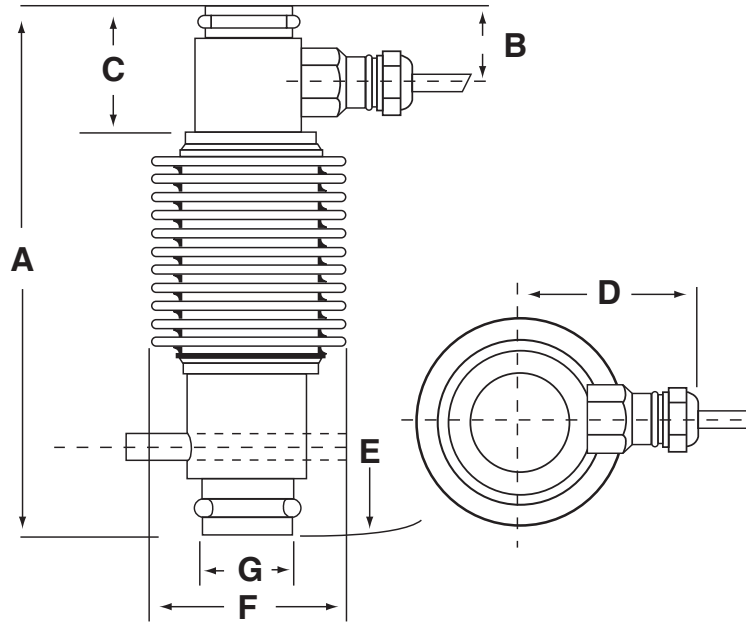


**Totalcomp<sup>®</sup>** Scales & Components

99 Reagent Lane • Fair Lawn, New Jersey 07410

Fax: 201-797-2287 • Toll Free Fax: 888-797-2288 • Phone: 201-797-2718 • Toll Free Phone: 800-631-0347  
Email: [sales@totalcomp.com](mailto:sales@totalcomp.com) Website: [www.totalcomp.com](http://www.totalcomp.com)

## Model TRC1



# TRC1 CANISTER LOAD CELL

The *Totalcomp* TRC1 Series Canister Load cells are interchangeable with Flintec® RC1 which are used in Fairbanks® truck scales. They are constructed from top quality tool steel and finished with electroless nickel plate with IP67 sealing.

Part Number	Capacity		Weight				
TRC1-56K (250kN)	56,000 lb		6 lb				
TRC1-90K (400kN)	90,000 lb		15 lb				
Capacity	A	B	C	D	E	F	G
56,000 lb	7.50	1.22	2.01	2.44	10.98	2.83	1.46
90,000 lb	8.86	1.34	2.24	2.72	14.02	3.35	1.46

### Performance

**Full Scale Output**  
 ±2.0 mV/V  
**Combined Error**  
 ±0.03% FS  
**Nonlinearity**  
 ±0.02% FS  
**Hysteresis**  
 ±0.03% FS  
**Creep**  
 ±0.02% FS in 1 hour  
**Non-Repeatability**  
 ±0.02% FS  
**Zero Balance**  
 ±1% FS

### Overload, Safe

150% FS  
**Overload, Ultimate**  
 300% FS

### Electrical

**Bridge Resistance**  
 Input 385 ohms  
 Output 350 ohms  
**Excitation Voltage**  
 10VDC (15VDC Max)  
**Insulation Resistance**  
 10KMohms@50VDC

### Temperature

**Compensated Range**  
 -10°C to +40°C  
**Temperature Operating Range**  
 -40°F to +65°F  
**Effect on Zero Balance**  
 0.0026% FS/deg F  
**Effect on FS Output**  
 0.0015% FS/deg F

### Mechanical

**Material**  
 Tool Steel  
**Finish**  
 Electroless Nickel Plate  
**Sealing**  
 IP67

### Wiring

**Cable Length & Type**  
 50 foot, 4 conductor  
**Cable Color Code**  
 + Excitation .....Red  
 - Excitation .....Black  
 + Output .....Green  
 - Output .....White  
 Shield .....Bare

### TOTALCOMP LIMITED WARRANTY

*Totalcomp* warrants this product to be free of defects in materials and/or workmanship and suitable for the purpose(s) intended as outlined on this sheet. This warranty is effective and shall cover the purchaser for one year from the date of shipment from our plant. If this product is found to be defective by our inspection in accordance with the above listed criteria, we will replace or repair it at our expense. For warranty service, please obtain a return authorization number from us and return the item, shipping prepaid, with a written description of the problem. We will respond promptly with the results of our evaluation.



# Totalcomp®

## Scales & Components

**99 Reagent Lane**  
**Fair Lawn, NJ 07410**  
**Fax (201) 797-2287**  
**Toll Free Fax (888) 797-2288**  
**Phone (201) 797-2718**  
**Toll Free Phone (800) 631-0347**  
**Email sales@totalcomp.com**  
**Website www.totalcomp.com**