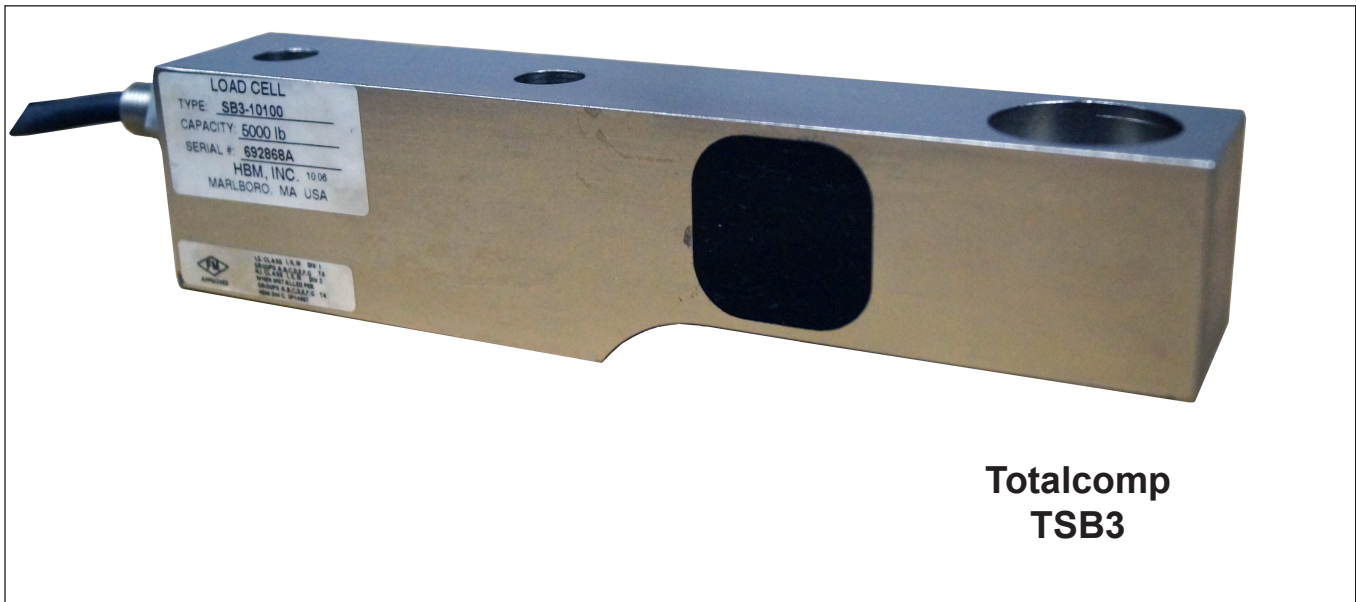


# TSB3

## Beam load cell



## Stainless steel & nickel plated beam load cells

- **Washdown safe**
- **20 ft 4 wire cable**
- **Nickel plated construction  
20,000 lb**
- **Stainless steel 1,000 lb to  
10,000 lb**
- **Capacities from 1,000 lb to  
20,000 lb**
- **Interchangeable with HBM  
SB3 beam cells**

 **Totalcomp** Scales & Components

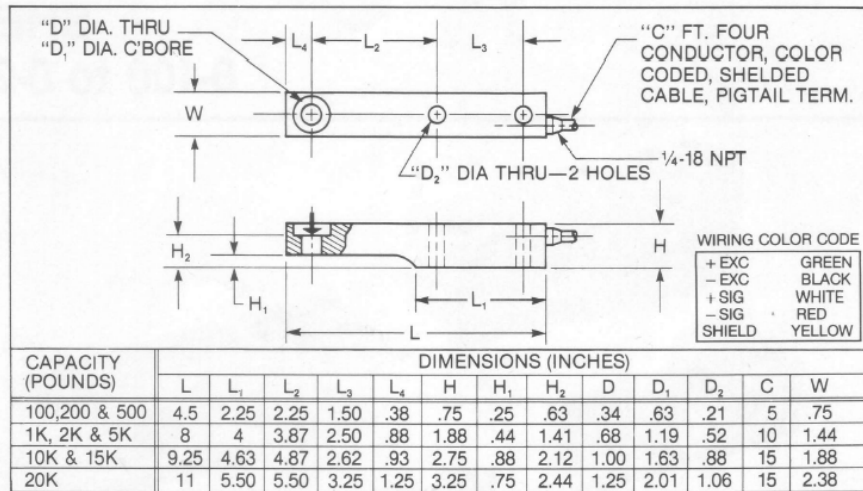
13-01 Pollitt Drive Ext, Fair Lawn NJ 07410  
Phone 201-797-2718 Fax 201-797-2287

email: [sales@totalcomp.com](mailto:sales@totalcomp.com)

# Specifications

# TSB3

The Totalcomp TSB3 load cells are interchangeable with HBM SB3 beam load cells. They are built to meet or exceed all manufacturers specs for this type of cell. They are constructed of stainless steel and nickel plated steel for washability and protection from harsh environments.



Part Number	Capacity	Weight	Stock
TSB3-1K	1,000 lb	6 lb	37
TSB3-2K	2,000 lb	6 lb	38
TSB3-5K	5,000 lb	6 lb	39
TSB3-10K	10,000 lb	12 lb	40
TSB3-20K	20,000 lb	19 lb	41

## Performance

Full Scale Output	2.00 mv/v
Combined error	0.03% FS
Nonlinearity	0.03% FS
Hysteresis	0.02% FS
Creep in 20 min	0.03% FS
Non-Repeatability	0.01% FS
Zero Balance	1.0% FS
Overload, Safe	150% FS
Overload, Ultimate	300% FS

## Electrical

Bridge Resistance	
Input	385 ohms
Output	350 ohms
Excitation Voltage	10VDC(15VDC Max)
Insulation Resistance	10KMohms@50VDC

## Wiring

30 foot, 4 conductor

## Temperature

Compensated Range	-10 deg C to +40 deg C
Operating Range	-16 deg C to +65 deg C
Effect on Zero Balance	0.0013% FS/ deg C
Effect on FS Output	0.0007% FS/ deg C

## Mechanical

Material	Stainless steel 1K-10K Alloy steel 20K
Finish	Polished SS 1K-10K Nickel plated 20K
Sealing	IP67

## Cable Color Code

+ Excitation	Green
- Excitation	Black
+ Output	White
- Output	Red
Shield	Bare

### Totalcomp Limited Warranty

Totalcomp warrants this product to be free of defects in materials and/or workmanship and suitable for the purpose intended as outlined in this sheet. This warranty is effective and shall cover the purchaser for one year from the date of shipment from our plant. If this product is found to be defective by our inspection in accordance with the above listed criteria, we will replace or repair it at our expense. For warranty service, please obtain a return authorization number from us and return the item, shipping prepaid, with a written description of the problem. We will respond promptly with the results of our evaluation.

 **Totalcomp** Scales & Components

13-01 Pollitt Drive Ext, Fair Lawn NJ 07410

Phone 201-797-2718 Fax 201-797-2287 email: sales@totalcomp.com