

# TSC



## TOTALCOMP SIGNAL CONDITIONER

- ✓ Stainless Steel IP67 box
- ✓ Signal trim summing card (max. 4 load cells)
- ✓ Switchable Analog 4-20mA or 0-10VDC output module
- ✓ Require 12-24VDC power



**Totalcomp**<sup>®</sup> Scales & Components

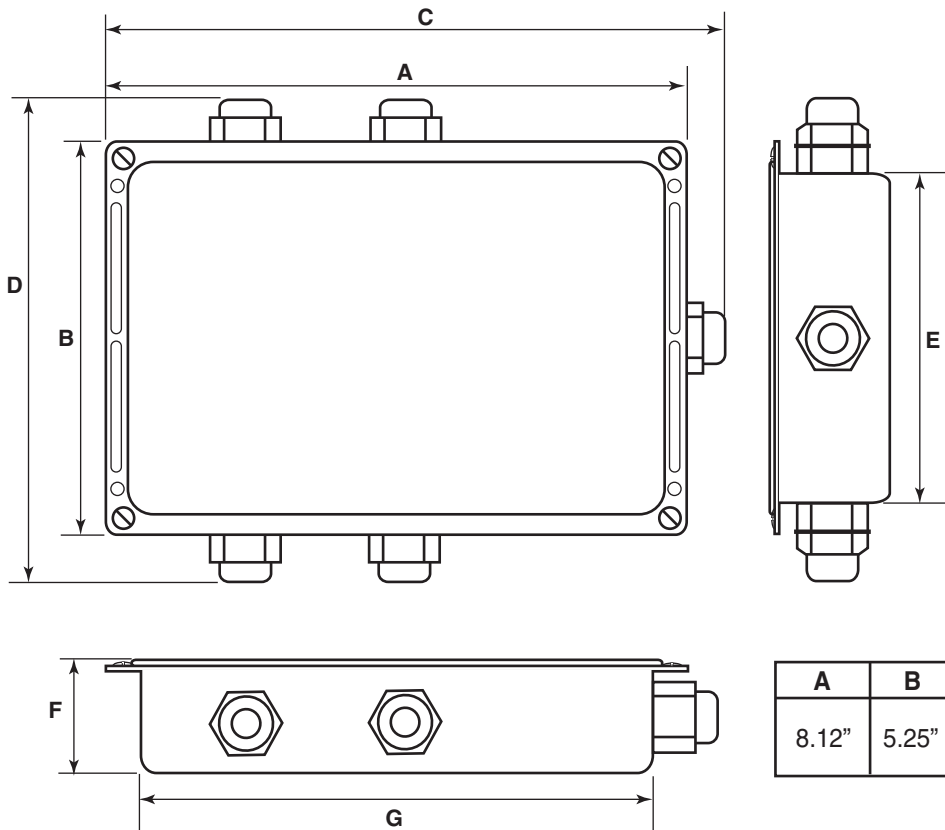
99 Reagent Lane \* Fair Lawn, New Jersey 07410  
Fax: 201-797-2287 \* Toll Free Fax: 888-797-2288 \* Phone: 201-797-2718 \* Toll Free Phone: 800-631-0347  
Email: [sales@totalcomp.com](mailto:sales@totalcomp.com) \* Website: [www.totalcomp.com](http://www.totalcomp.com)

# Specifications

# TSC

## TOTALCOMP SIGNAL CONDITIONER

TSC signal conditioner card is mounted inside a Stainless Steel IP67 box. Inside you will have a regular signal trim summing card (max. 4 load cells), second portion of the card is switchable Analog 4-20mA or 0-10-VDC output module. Surface mounted micro switches for calibration procedure, quick and easy to setup. Provide power from your equipment required 12-24VDC. For set up have a Multi-meter handy.



A	B	C	D	E	F	G
8.12"	5.25"	8.5"	6.75"	4.5"	1.6"	6.75"

### TOTALCOMP LIMITED WARRANTY

**Totalcomp** warrants this product to be free of defects in materials and/or workmanship and suitable for the purpose(s) intended as outlined on this sheet. This warranty is effective and shall cover the purchaser for one year from the date of shipment from our plant. If this product is found to be defective by our inspection in accordance with the above listed criteria, we will replace or repair in at our expense. For warranty service, please obtain a return authorization number from us and return the item, shipping prepaid, with a written description of the problem. We will respond promptly with the results of our evaluation.



## Scales & Components

99 Reagent Lane  
Fair Lawn, NJ 07410  
Fax (201) 797-2287  
Toll Free Fax (888) 797 2288  
Phone (201) 797-2718  
Toll Free Phone (800) 631-0347  
Email [sales@totalcomp.com](mailto:sales@totalcomp.com)  
Website [www.totalcomp.com](http://www.totalcomp.com)