

# TSCA

## Canister load cell

Interchangeable with  
Cardinal model SCA



Totalcomp  
TSCA

## Totalcomp's TSCA canister load cell is top quality stainless steel.

- *Stainless steel housing*
- *Exceeds NEMA 6 and IP67 hosedown*
- *Hermetically sealed*
- *Reliable - durable - precise*
- *50,000 lb Capacity*
- *30 ft 4 wire cable*

 **Totalcomp** Scales & Components

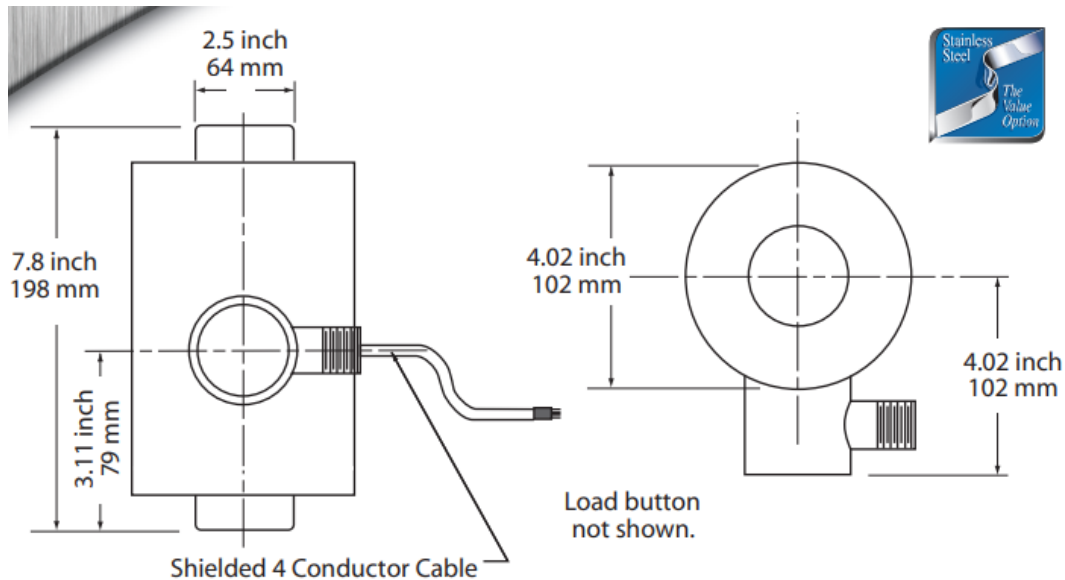
13-01 Pollitt Drive Ext, Fair Lawn NJ 07410  
Phone 201-797-2718 Fax 201-797-2287

email: [sales@totalcomp.com](mailto:sales@totalcomp.com)

# Specifications

# TSCA

The Totalcomp canister (TSCA) load cells are interchangeable with Cardinal 50K-SCA load cell. They are built to meet or exceed all manufacturers specs for this type of cell. They are constructed from stainless steel for washability and protection from harsh environments to IP67.



Part Number	Capacity	Stock No	Weight
TSCA-50K-SS	50,000 lb	482	17 lb

### Performance

Full Scale Output	2.00 mv/v
Combined error	0.05% FS
Nonlinearity	0.05% FS
Hysteresis	0.05% FS
Creep in 30 min	0.03% FS
Non-Repeatability	0.02% FS
Zero Balance	1.0% FS
Overload, Safe	150% FS
Overload, Ultimate	300% FS

### Electrical

Bridge Resistance	
Input	1,165 ohms
Output	1,050 ohms
Excitation Voltage	10VDC(15VDC Max)
Insulation Resistance	5KMohms@50VDC

### Temperature

Compensated Range	-10 deg C to +40 deg C
Temperature Operating Range	-20 deg C to +60 deg C

Effect on Zero Balance	0.0013% FS/ deg C
Effect on FS Output	0.0007% FS/ deg C

### Mechanical

Material	17-4 Stainless steel
	304 SS cover
Finish	Polished SS
Sealing	IP67
	Welded hermetic seal

### Wiring

Cable length & Type	30 foot, 4 wire
---------------------	-----------------

### Cable Color Code

+ Excitation	Green
- Excitation	Black
+ Output	White
- Output	Red
Shield	Bare

### Totalcomp Limited Warranty

Totalcomp warrants this product to be free of defects in materials and/or workmanship and suitable for the purpose intended as outlined in this sheet. This warranty is effective and shall cover the purchaser for one year from the date of shipment from our plant. If this product is found to be defective by our inspection in accordance with the above listed criteria, we will replace or repair it at our expense. For warranty service, please obtain a return authorization number from us and return the item, shipping prepaid, with a written description of the problem. We will respond promptly with the results of our evaluation.

 **Totalcomp** Scales & Components

13-01 Pollitt Drive Ext, Fair Lawn NJ 07410

Phone 201-797-2718 Fax 201-797-2287 email: sales@totalcomp.com