

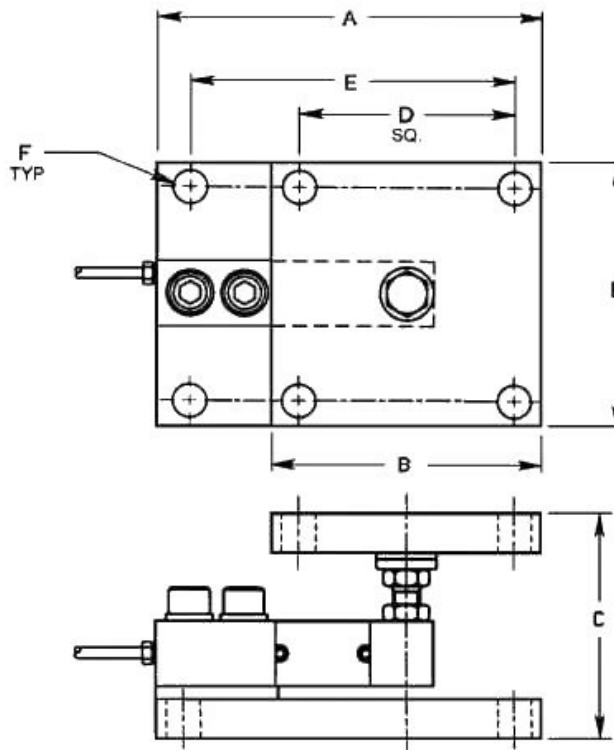
Spherical Washer Beam Mounting Assembly (without load cell)

- **FEATURES:**
 - Capacities from 250 - 20,000 lb
 - Articulating Mounting Plate
 - Low Profile design
 - Plated or Stainless Steel Construction
 - Ideal for Tank, Bin, Hopper weighing
 - Integral height adjustment for balancing
 - Adjustable under load

Capacity	A	B	C	D	E	F	Part Number Zinc Plated steel	Part Number Stainless Steel
250 -5,000SE lb	7.12	5.0	4 - 4.5	4.0	6.0	.63	TSWM-4K	TSWM-4K-SS
5000 – 10,000 lb	8.50	5.0	5 - 5.5	4.0	7.0	.63	TSWM-10K	TSWM-10K-SS
15,000 – 20,000 lb	8.50	5.0	5 - 5.5	4.0	7.0	.63	TSWM-20K-14 * TSWM-20K-12 **	TSWM-20K-14-SS* TSWM-20K-12-SS **

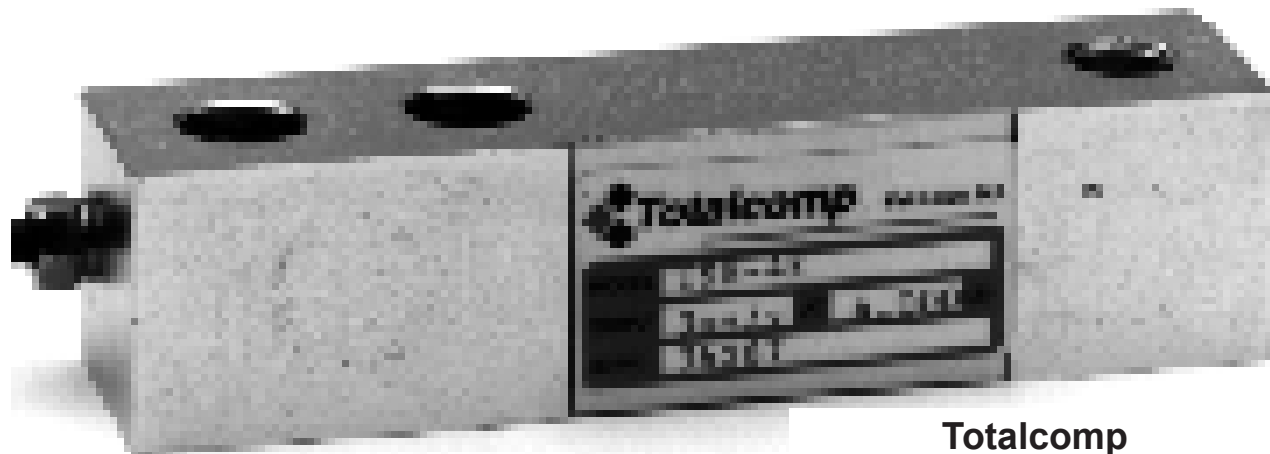
* Note: TSB-20K, NSB-20K, 65023-20K has 1-14 thread (same for Stainless Steel)

** Note: 9123-20K, 5123-20K has 1-12 thread

Dimensions in Inches


TSB

Shear beam load cell



Totalcomp
TSB (Nickel Plated)
TSB-SS (Stainless Steel)

Top Quality, Low Profile Performer from Totalcomp

- *NTEP Approved*
- *Environmentally protected with waterproof seal*
- *Stainless steel or Nickel plated finish*
- *Reliable - durable precise*
- *Capacities from 250 lb to 20,000 lb*
- *Includes 20 ft 4 cond cable*

 **Totalcomp** Scales & Components

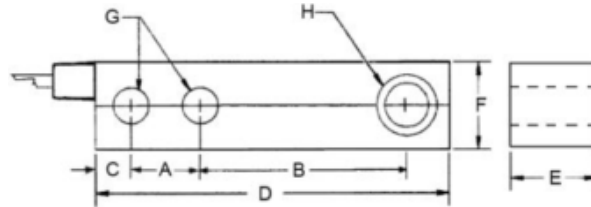
13-01 Pollitt Drive Ext, Fair Lawn NJ 07410
Phone 201-797-2718 Fax 201-797-2287

email: sales@totalcomp.com

Specifications

TSB

The Totalcomp Shear Beam (TSB) Load Cells are interchangeable with Sensortronics and Revere 65023, 5123, 9123. They are built to meet or exceed all manufacturers specs for this type of cell. They are constructed from nickel plated or stainless steel for washability and protection from harsh environments.



Part Number Nickel plated	Part Number Stainless steel	Capacity	Weight	A	B	C	D	E	F	G	H
TSB-250 *	TSB-250-SS *	250 lb	3 lb	1.00	3.00	0.60	5.12	1.00	1.25	0.53	1/2-20
TSB-500 *	TSB-500-SS *	500 lb	3 lb	1.00	3.00	0.60	5.12	1.00	1.25	0.53	1/2-20
TSB-1K	TSB-1K-SS	1,000 lb	3 lb	1.00	3.00	0.60	5.12	1.25	1.25	0.53	1/2-20
TSB-1.5K	TSB-1.5K-SS	1,500 lb	3 lb	1.00	3.00	0.60	5.12	1.25	1.25	0.53	1/2-20
TSB-2K	TSB-2K-SS	2,000 lb	3 lb	1.00	3.00	0.60	5.12	1.25	1.25	0.53	1/2-20
TSB-2.5K	TSB-2.5K-SS	2,500 lb	3 lb	1.00	3.00	0.60	5.12	1.25	1.25	0.53	1/2-20
TSB-4K	TSB-4K-SS	4,000 lb	3 lb	1.00	3.00	0.60	5.12	1.25	1.25	0.53	1/2-20
TSB-5K-SE	TSB-5K-SE-SS	5,000 lb	3 lb	1.00	3.00	0.60	5.12	1.25	1.25	0.53	1/2-20
TSB-5K	TSB-5K-SS	5,000 lb	5 lb	1.50	3.75	0.75	6.75	1.50	1.50	0.78	3/4-16
TSB-10K	TSB-10K-SS	10,000 lb	5 lb	1.50	3.75	0.75	6.75	1.50	1.50	0.78	3/4-16
TSB-15K *	TSB-15K-SS *	15,000 lb	9 lb	2.00	4.88	1.00	8.75	2.00	2.00	1.03	1"-14
TSB-20K *	TSB-20K-SS *	20,000 lb	9 lb	2.00	4.88	1.00	8.75	2.00	2.00	1.03	1"-14

* Not NTEP

Performance

Full Scale Output	3.00 mv/v
Combined error	0.25% FS
Nonlinearity	0.03% FS
Hysteresis	0.05% FS
Creep in 20 min	0.03% FS
Non-Repeatability	0.01% FS
Zero Balance	1.0% FS
Overload, Safe	150% FS
Overload, Ultimate	300% FS

Electrical

Bridge Resistance	
Input	350 ohms
Output	350 ohms
Excitation Voltage	10VDC(15VDC Max)
Insulation Resistance	10KMohms@50VDC

Temperature

Compensated Range	-10 deg C to +40 deg C
Temperature Operating Range	

-16 deg C to +65 deg C

Effect on Zero Balance	0.0013% FS/ deg C
Effect on FS Output	0.0007% FS/ deg C

Mechanical

Material	Tool Steel Stainless steel
Finish	Nickel plated Polished SS
Sealing	IP67

Wiring

Cable length & Type	20 foot, 4 conductor
---------------------	----------------------

Cable Color Code

+ Excitation	Red
- Excitation	Black
+ Output	Green
- Output	White
Shield	Bare

Totalcomp Limited Warranty

Totalcomp warrants this product to be free of defects in materials and/or workmanship and suitable for the purpose intended as outlined in this sheet. This warranty is effective and shall cover the purchaser for one year from the date of shipment from our plant. If this product is found to be defective by our inspection in accordance with the above listed criteria, we will replace or repair it at our expense. For warranty service, please obtain a return authorization number from us and return the item, shipping prepaid, with a written description of the problem. We will respond promptly with the results of our evaluation.



Totalcomp Scales & Components

13-01 Pollitt Drive Ext, Fair Lawn NJ 07410
Phone 201-797-2718 Fax 201-797-2287

email: sales@totalcomp.com

CSB-40

Compact Sum Box



Extremely small size and quick hook up

- *Signal trim or excitation trim for four load cells*
- *Five nylon strain reliefs included*
- *Lever type terminal blocks*
- *Stainless steel NEMA 4X*
- *Accepts wire size 26 to 14 AWG solid or stranded*
- *Corrosion resistant design*



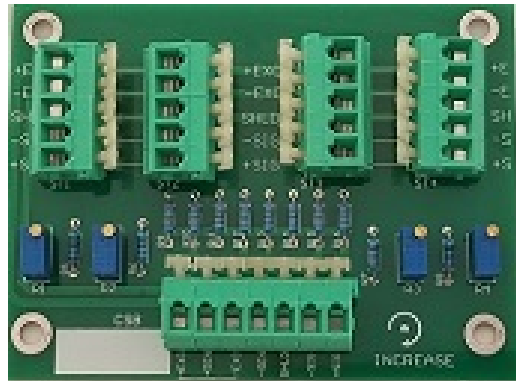
Totalcomp Scales & Components

13-01 Pollitt Drive Ext, Fair Lawn NJ 07410
Phone 201-797-2718 Fax 201-797-2287

email: sales@totalcomp.com

Specifications

CSB-40



Totalcomp Compact Summing Box (CSB) enclosures are NEMA 4X stainless steel, rust proof, non corrosive and suitable for use in the harshest environments.

Size: Enclosure 7"W x 4.5"L x 1.75"H Card only 4"W x 3"L x 0.75"H

Circuit Description

Signal trim circuit will adjust the output of the load cell with a potentiometer and resister shunted across the output of each load cell. Each load cell is isolated from the other load cells with 1,000 ohm series resistors in the signal (output) lines. These isolation resistors stop the adjustments on one load cell from affecting the other load cells.

Excitation trim has one potentiometer per load cell in the excitation (input) circuit for adjusting the load cell input voltage.

Strain Reliefs

Five, corrosion resistant, nylon strain reliefs protect the load cell cable and instrument cable from being pulled from the terminals.

Terminals

Lever type make connections simple and reliable. The wire must be stripped either tinned or plain. To make connection depress the lever, insert the wire and release the lever. Accepts from 26 to 14 AWG solid or stranded wire.

Part Number	Weight	Stock
CSB-40 summing box w/signal trim	1.81 lb	1787
CSB-40E summing box w/excitation trim	1.81 lb	2434
Service Parts		
CSB summing card only w/signal trim	0.15 lb	1584
CSB-E summing card only w.excitation trim	0.15 lb	285

Totalcomp Limited Warranty

Totalcomp warrants this product to be free of defects in materials and/or workmanship and suitable for the purpose intended as outlined in this sheet. This warranty is effective and shall cover the purchaser for one year from the date of shipment from our plant. If this product is found to be defective by our inspection in accordance with the above listed criteria, we will replace or repair it at our expense. For warranty service, please obtain a return authorization number from us and return the item, shipping prepaid, with a written description of the problem. We will respond promptly with the results of our evaluation.



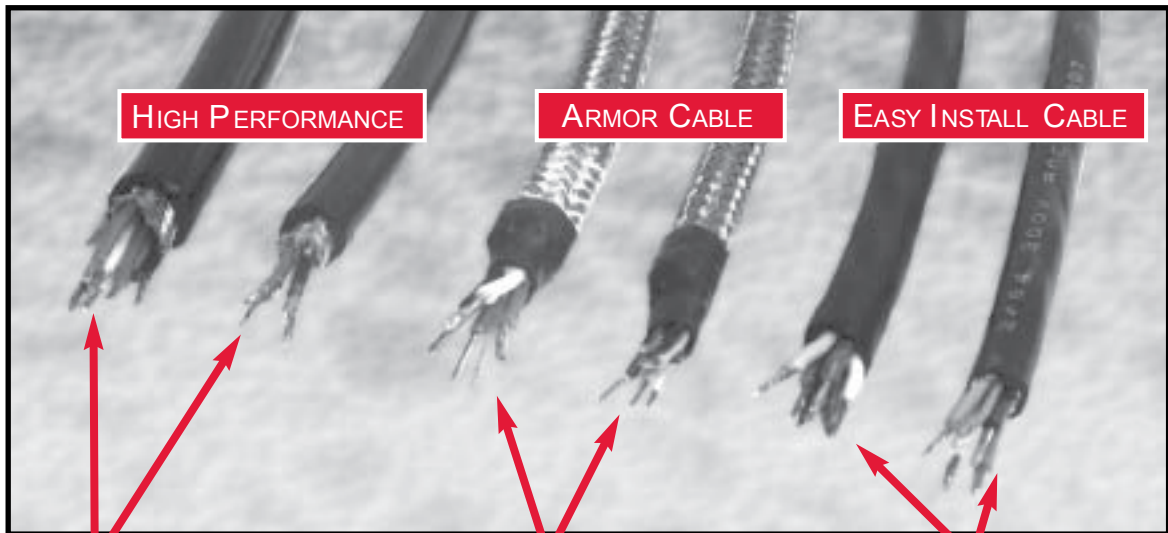
Totalcomp Scales & Components

13-01 Pollitt Drive Ext, Fair Lawn NJ 07410
Phone 201-797-2718 Fax 201-797-2287

email: sales@totalcomp.com

LOAD CELL CABLES

Top Quality Load Cell Cable by the foot or by the roll!



- ✓ **High performance abrasion resistant cables.**
- ✓ **Best insulation resistance.**
- ✓ **4 or 6 conductor 20 gage stranded tinned copper wiring.**
- ✓ **Individually teflon-insulated, nylon-wrapped conductors.**
- ✓ **Tinned copper sheilding with abrasion-resistant polyurethane jacket.**

- ✓ **Abrasion resistant tinned copper braid shielding.**
- ✓ **4 or 6 conductor.**
- ✓ **20 or 24 gage (AWG) stranded tinned copper wiring with vinyl insulation.**
- ✓ **Stainless steel braided armor outside.**

- ✓ **Standard cable - easy installation.**
- ✓ **4 or 6 conductor.**
- ✓ **Aluminum shield w/drain wire provides 100% shield coverage.**
- ✓ **20 gage (AWG) stranded tinned copper wiring with vinyl insulation.**



Totalcomp[®] Scales & Components

SPECIFICATIONS

HIGH PERFORMANCE

STOCK #	DESCRIPTION
4 Conductor cable	
1904	1 - 499 feet
1905	500 ft. roll
1906	1000 ft. roll
6 Conductor cable	
1907	1 - 499 feet
1908	500 ft. roll
1909	1000 ft. roll

ARMOR

STOCK #	DESCRIPTION
4 Conductor cable	
1073	1 - 499 feet
1074	500 ft. roll
6 Conductor cable	
1665	1 - 499 feet
1666	500 ft. roll

EASY INSTALL

STOCK #	DESCRIPTION
4 Conductor cable	
190	1 - 499 feet
241	500 ft. roll
242	1000 ft. roll
6 Conductor cable	
191	1 - 499 feet
244	500 ft. roll
245	1000 ft. roll

<i>Cables are available in 20 or 24 gage 4 or 6 cond, or 24 gage 6 cond.</i>			
	4 Cond. -20 gage	4 Cond.-24 gage	6 Cond. -24 gage
Wire	90% Tinned Copper Braid Shield	90% Tinned Copper Braid Shield	90% Tinned Copper Braid Shield
Insulation	Polyethylene	PVC-nylon	PVC
Outside	Stainless Steel	Stainless Steel	Stainless Steel
Jacket	Black Polyurethane	Grey Polyurethane	Grey PVC
OD	0.295 inches	0.190 inches	0.220 inchcs
Lengths	specify	specify	specify

TOTALCOMP LIMITED WARRANTY

Totalcomp warrants this product to be free of defects in materials and/or workmanship and suitable for the purpose(s) intended as outlined on this sheet. This warranty is effective and shall cover the purchaser for one year from the date of shipment from our plant. If this product is found to be defective by our inspection in accordance with the above listed criteria, we will replace or repair it at our expense. For warranty service, please obtain a return authorization number from us and return the item, shipping prepaid, with a written description of the problem. We will respond promptly with the results of our evaluation.



Totalcomp®

Scales & Components

99 Reagent Lane
Fair Lawn, NJ 07410
Fax (201) 797-2287
Toll Free Fax (888) 797-2288
Phone (201) 797-2718
Toll Free Phone (800) 631-0347
Email sales@totalcomp.com
Website www.totalcomp.com