

TT2P1

Totalcomp TT2P1 Canister



Interchangeable with BLH TT2P1!

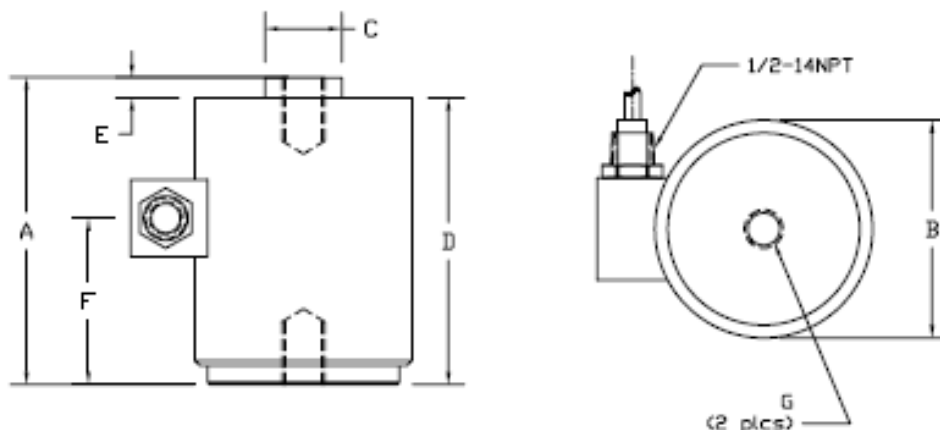
- ✓ Stainless Steel canister
- ✓ 30Ft 4 conductor cable
- ✓ Reliable & Durable
- ✓ 2 mv/v load cell
- ✓ 0.03% nonlinearity
- ✓ 350/350 ohm bridge

 **Totalcomp**[®] Scales & Components

99 Reagent Lane • Fair Lawn, New Jersey 07410
Fax: 201-797-2287 • Toll Free Fax: 888-797-2288 • Phone: 201-797-2718 • Toll Free Phone: 800-631-0347
Email: sales@totalcomp.com • Website: www.totalcomp.com

SPECIFICATIONS

TT2P1



RATED CAPACITY	DIMENSIONS							
	A	B	C	D	E	F	G	
500LB-3K	4.56	3.50	0.75	4.16	0.25	2.25	1/2-20UNF x 0.56 deep	
5K-10K	5.94	3.50	1.35	5.41	0.44	3.00	1-14UNF x 1.25 deep	
20K-30K	8.50	5.00	2.50	7.81	0.56	4.25	1-1/2-12UNF x 2.00 deep	
50K-100K	11.44	6.50	3.00	10.75	0.62	5.75	2-12UNF x 2.62 deep	

2. RATED OUTPUT: 2.00 mV/V \pm 1%
3. SAFE OVERLOAD: 150% FS
4. EXCITATION VOLTAGE: 10-15V AC/DC
5. BRIDGE RESISTANCE: 350 OHMS
6. ZERO BALANCE: \pm 1.00% FS
7. SEAL TYPE: HERMETICALLY SEALED
8. NON-LINEARITY: \pm 0.03% FS
9. HYSTERESIS: \pm 0.02% FS
10. COMPENSATED TEMPERATURE RANGE: -10°C - +50°C
11. TEMPERATURE EFFECT ON ZERO: \pm 0.02%FS/10°C
12. TEMPERATURE EFFECT ON OUTPUT: \pm 0.02%FS/10°C
13. INSULATION RESISTANCE: >5000 MEGOHMS
14. LOAD CELL CABLE: 4 CONDUCTOR, 50 FT

TOTALCOMP LIMITED WARRANTY

Totalcomp warrants this product to be free of defects in materials and/or workmanship and suitable for the purpose(s) intended as outlined on this sheet. This warranty is effective and shall cover the purchaser for one year from the date of shipment from our plant. If this product is found to be defective by our inspection in accordance with the above listed criteria, we will replace or repair it at our expense. For warranty service, please obtain a return authorization number from us and return the item, shipping prepaid, with a written description of the problem. We will respond promptly with the results of our evaluation.



Totalcomp[®]

Scales & Components

99 Reagent Lane
 Fair Lawn, NJ 07410
 Fax (201) 797-2287
 Toll Free Fax (888) 797-2288
 Phone (201) 797-2718
 Toll Free Phone (800) 631-0347
 Email sales@totalcomp.com
 Website www.totalcomp.com