

# TVS Washdown Portion Control Scale

## Features

- Standard stainless steel platter
- IP65 washdown portion control technology
- With hand breathable knob design
- Weighs in pounds, kilograms, gram, ounce or pounds with ounce
- Weighing units conversion
- Battery provide up to 70 hours of continuous use (without backlight)
- Optional 0.79inch / 20mm rear display
- Legal for trade



## General Specifications

- |                  |  |
|------------------|--|
| • Display        | 0.98inch / 25mm digit LCD display, with white LED backlight      |
| • Capacities     | 6lb ~ 60lb / 3kg ~ 25kg / 96oz ~960oz                            |
| • Platter size   | 9.2 x 7.6inch / 233.32 x 193.32mm                                |
| • Keyboard       | 3keys (Mechanical switch)  |
| • Housing        | Stainless Steel  |
| • Max. Divisions | 6,000e   |
| • ADC update     | ≤1/10 second   |
| • Operate Temp   | 14°F ~ 104°F / -10°C ~ +40°C                                     |
| • Power          | AC adapter (12V/500mA), built-in rechargeable battery (6V/3.2Ah) |

# TVS Washdown Portion Control Scale

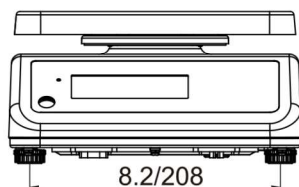
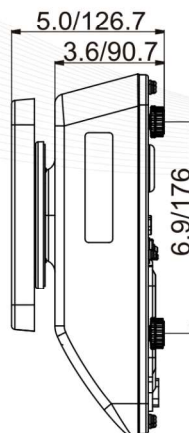
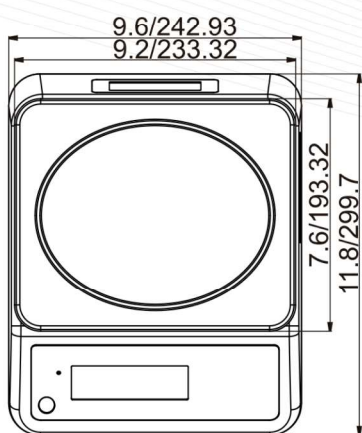
Model Name	Capacity	Readability	Division	Approx. weight
TVS-6	6lb / 3kg / 96oz	0.001lb / 0.0005kg / 0.02oz	6,000e	9.3lb (4.2kg)
TVS-12	12lb / 6kg / 192oz	0.002lb / 0.001kg / 0.05oz	6,000e	9.3lb (4.2kg)
TVS-30	30lb / 12kg / 480oz	0.005lb / 0.002kg / 0.1oz	6,000e	9.3lb (4.2kg)
TVS-60	60lb / 25kg / 960oz	0.01lb / 0.005kg / 0.2oz	6,000e	9.3lb (4.2kg)

## Options



Rear Display

## Dimensions(inch/mm)



Distributed by

Ver.1.2