

## Product Description

Type UB6 is a stainless steel universal load cell which allows for tension and compression loading. Its complete hermetic sealing makes it suitable for use in harsh industrial environments.

## Application

- Crane scales and hanging scales, force measurement in material testing machines, cranes, lifts and other general tension applications

## Key Features

- Capacities from 1 kN to 5 kN (102 kg to 510 kg)
- Stainless steel construction
- Environmental Protection IP68 with complete hermetic sealing
- High input resistance
- Calibration in  $mV/V/\Omega$

## Approvals

- OIML approval to C1 ( $Y = 5\ 100$ ) and C3 ( $Y = 10\ 200$ )
- ATEX hazardous area approval for Zone 0, 1, 2, 20, 21 and 22
- FM hazardous area approval

## Options

- $Y = 20\ 400$  for C3
- Stainless steel cable gland

## Packed Weight

■ Capacity (kN)	1	2	5
Weight (kg)	1.0	1.0	1.1

## Available Accessories

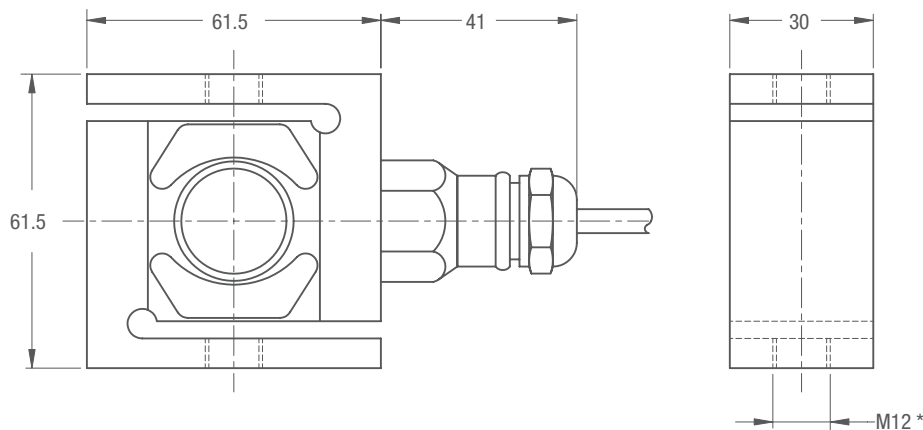
- Compatible range of application hardware
- Compatible range of electronics

### UB6 Specifications

Maximum capacity	(E <sub>max</sub> )	kN	1 / 2 / 5	
Metric equivalents (1 N=0.10197 kg)		kg	102 / 204 / 510	
Accuracy class according to OIML R60		(GP)	C1	C3
Maximum number of verification intervals	(n <sub>max</sub> )	n.a.	1000	3000
Minimum load cell verification interval	(v <sub>min</sub> )	n.a.	E <sub>max</sub> /5 100	E <sub>max</sub> /10 200
Temperature effect on minimum dead load output	(TC <sub>0</sub> )	%*RO/10°C	≤ ± 0.0400	≤ ± 0.0137
Temperature effect on sensitivity	(TC <sub>RO</sub> )	%*RO/10°C	≤ ± 0.0200	≤ ± 0.0100
Combined error		%*RO	≤ ± 0.0500	≤ ± 0.0200
Non-linearity		%*RO	≤ ± 0.0400	≤ ± 0.0166
Hysteresis		%*RO	≤ ± 0.0400	≤ ± 0.0166
Creep error (30 minutes) / DR		%*RO	≤ ± 0.0600	≤ ± 0.0166
Option	Min. load cell verification interval (v <sub>min opt</sub> )	n.a.	n.a.	E <sub>max</sub> /20 400
	Temp. effect on min. dead load output (TC <sub>0 opt</sub> )	%*RO/10°C	n.a.	≤ ± 0.0069
Rated Output	(RO)	mV/V	2 ± 0.1%	
Calibration in mV/V/Ω (A...I classified)		%	≤ ± 0.05 (≤ ± 0.005)	
Zero balance		%*RO	≤ ± 5	
Excitation voltage		V	5...15	
Input resistance	(R <sub>LC</sub> )	Ω	1 100 ± 50	
Output resistance	(R <sub>out</sub> )	Ω	1 000 ± 2	
Insulation resistance (100 V DC)		MΩ	≥ 5 000	
Safe load limit	(E <sub>lim</sub> )	%*E <sub>max</sub>	200	
Ultimate load		%*E <sub>max</sub>	300	
Compensated temperature range		°C	-10...+40	
Operating temperature range		°C	-40...+80 (ATEX -40...+60)	
Load cell material			stainless steel 17-4 PH (1.4548)	
Sealing			complete hermetic sealing; cable entry sealed by glass to metal header	
Protection according DIN 40.050			IP68	

The limits for Non-Linearity, Hysteresis, and TC<sub>RO</sub> are typical values.  
The sum of Non-linearity, Hysteresis and TC<sub>RO</sub> meets the requirements according to OIML R60 with p<sub>LC</sub>=0.7.

### Dimensions (in mm)



\* Unified thread 1/2-20 UNF is available.

### Wiring

- The load cell is provided with a shielded, 4 conductor cable (AWG 24).  
Cable jacket polyurethane
- Cable length: 6 m
- Cable diameter: 5 mm
- The shield is floating  
(On request the shield can be connected to the load cell body)

