

# FG

*Series*

## Bench & Platform Scales



**A&D**  
A&D WEIGHING  
...Clearly a Better Value



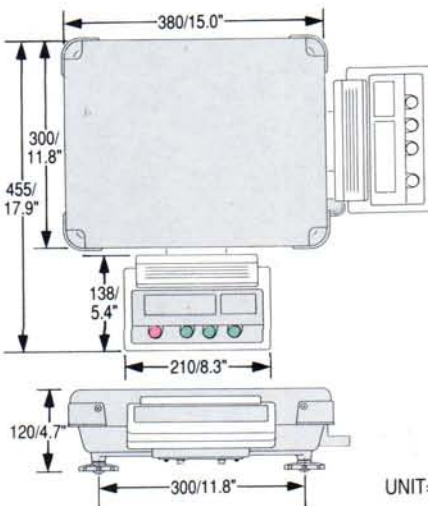


## Built to last, easy to operate anywhere

- Excellent general use bench or platform scale for shipping, receiving, checking, stock control and much more.
- Compact and lightweight, AC or battery operation — use it anywhere you need it, from warehouse to office.
- Rugged heavy duty construction to take the punishment of daily use, cleaning and transportation.
- Stainless steel weighing pan and moisture protected load cell for use outdoors or in harsh environments.
- Meterhead rotates and tilts on the optional column and the column base expands to weigh items that overhang the weighing pan.
- Optional RS-232C allows easy connection to a printer or computer for record keeping or system control. A Current Loop interface is also optional.
- Capacities from 60lb to 400lb. (31~200kg)



### Standard Bench Scale



UNIT=mm/inches

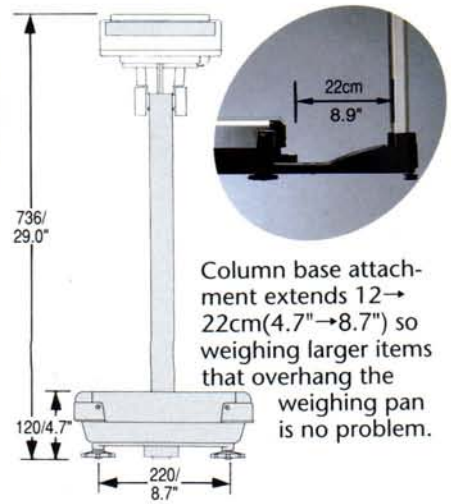


Optional wall mount for easy reading and operation, 1.5m(59") cable standard.



Optional handle for easy carrying, just pick it up and go!

### With Optional Column



Column base attachment extends 12→22cm(4.7"→8.7") so weighing larger items that overhang the weighing pan is no problem.

### Specifications

MODEL	FG-30KB	FG-60KB	FG-150KB	FG-200KB
Capacity/Resolution kg	31kg × 0.01kg	60kg × 0.02kg	150kg × 0.05kg	200kg × 0.05kg
Capacity/Resolution lb	60 lb × 0.02 lb	150 lb × 0.05 lb	300 lb × 0.1 lb	400 lb × 0.1 lb
Display	Liquid Crystal Display, 22mm / 0.9 inch height			
Operating Temperature	-10 °C ~ 40 °C / 14 °F ~ 104 °F			
Weight	8.5kg / 18.7 lb			
Power	6 "AA" size batteries(not included) or AC Adapter			
Pan Size	300(W) × 380(D) mm / 11.8(W) × 15.0(D) inches			
Battery Life	Approximately 100 hours with alkaline type cells			
Standard Accessories	Manual, AC Adapter, Protective Cover			

Specifications are subject to change for improvement without notice.  
Consult factory for ounce versions. (non-legal-for-trade)  
Consult factory for higher resolution. (non-legal-for-trade)

### Options

- FG-01 Wall Mounting Kit
- FG-02 Display Column with Tilt Bracket
- FG-03 Serial Interface (RS-232C/Current Loop)\*
- FG-04 Meterhead Mounting for the AD-8121A Printer
- FG-05 20mA Output\*
- FG-06 Carrying Handle

\* Only FG-03 or FG-05 can be installed at one time

### Accessories

- AD-8121A Multi-Function Printer

This impact dot matrix printer is built for A&D's balances, scales, and indicators. Prints charts and offers a full range of statistical functions.



# AND

## A&D WEIGHING

...Clearly a Better Value

1555 McCandless Drive, Milpitas, CA.95035  
Toll-free (800)726-3364 Tel: (408)263-5333 Fax: (408)263-0119  
Web: www.andweighing.com Email: scales@andweighing.com



U.S.  
FG-30, 60, 150KB  
CANADA  
FG-30, 60, 150KB

COC 93-063  
Canada AM 4995

\*FG-200KB not approved