

BSA



NTEP APPROVED

Shear Beam Load Cell

- Available in 1 klb (500 kg) up to 10 klb (5000 kg) versions
- Nickel plated tool steel
- Environmentally sealed



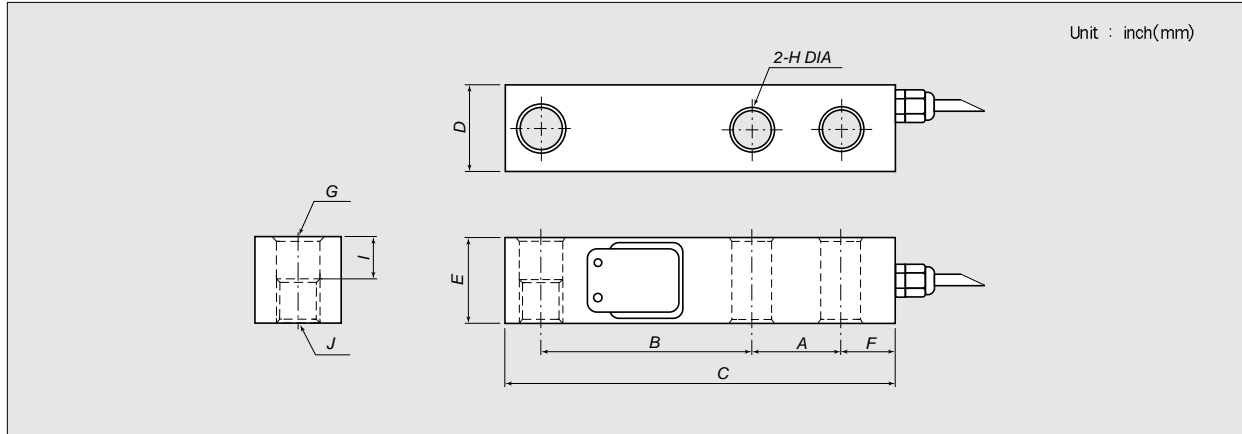
APPLICATION

- Floor scales
- Tank scales
- Hopper scales
- Process control

CAS

BSA Shear Beam Load Cell

DIMENSIONS



CAPACITY	A	B	C	D	E	F	G	H	I	J
1 klb - 5 klb (500 kgf - 2 tf)	1.0 (25.4)	3.0 (76.2)	5.12 (130)	1.25 (32)	1.25 (32)	0.62 (15.8)	0.53 (13.5)	0.53 (13.5)	0.63 (16.0)	1/2 - 20UNF - 2B
5 klb - 10 klb (3 tf - 5 tf)	1.5 (38.1)	3.75 (95.3)	6.75 (171.5)	1.5 (38)	1.5 (38)	0.75 (19)	0.78 (20)	0.78 (20)	0.75 (19)	3/4 - 16UNF - 2B

SPECIFICATIONS

Rated Load (R.L.)	1 klb, 2 klb, 2.5 klb, 3 klb, 4 klb, 5 klb, 10 klb
Rated Output (R.O.)	3mV/V \pm 0.25%
Accuracy Class	III
Combined Error	< 0.025% R.O.
Repeatability	< 0.01% R.O.
Creep (for 30min) / -10°C to +40°C	< 0.017% R.O.
Zero Return	< 0.017% R.O.
Temperature Effect on Zero Value / 10°C	< 0.014% R.O.
Temperature Effect on Output Value / 10°C	< 0.011% R.O.
Recommended Excitation	DC 10V
Maximum Excitation	DC 15V
Zero Balance	\pm 1% R.O.
Input Resistance	350 \pm 3.5 Ω
Output Resistance	350 \pm 3.5 Ω
Insulation Resistance	> 2000 M Ω
Cable	20ft / 6m 4 conductor with shield
Compensated Temperature Range	-10°C to +40°C
Safe Operating Range	-30°C to +80°C
Safe Overload	150% Rated Capacity
Protection Class	IP 66

ORDERING INFORMATION

CAPACITY	MODEL NO.
1 klb	BSA - 1 K
2 klb	BSA - 2 K
2.5 klb	BSA - 2.5 K
3 klb	BSA - 3 K
4 klb	BSA - 4 K
5 klb	BSA - 5 KS(small) BSA - 5 K
10 klb	BSA - 10 K

CABLE COLOR CODE

Red	+ Excitation
Black	- Excitation
Green	+ Signal
White	- Signal
Clear	Shield



CAS USA Corporation

NJ OFFICE
99 Murray Hill Parkway
East Rutherford, NJ 07073
Tel: (201) 933-9002
Fax: (201) 933-9025

<http://www.cas-usa.com>

CA OFFICE
733 S. State College Blvd #98
Fullerton, CA 92831
Tel: (714) 870-1286
Fax: (714) 870-1167