

iDP-3550/3551

CITIZEN®

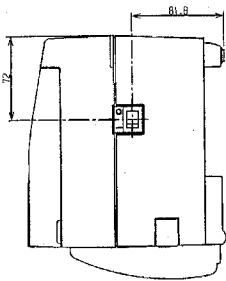
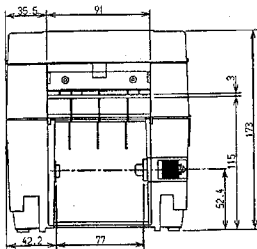
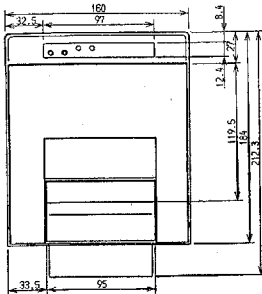
FEATURES

Small size, light weight, and low price
 High-speed print (Bi-directional)
 Red and black print
 Auto load
 Paper end sensor
 Built in auto cutter (ACS-134) (iDP-3551)
 Built in power supply

OPTIONS

Special purpose winder AW-3-E (Option)
 that will be placed Separately.

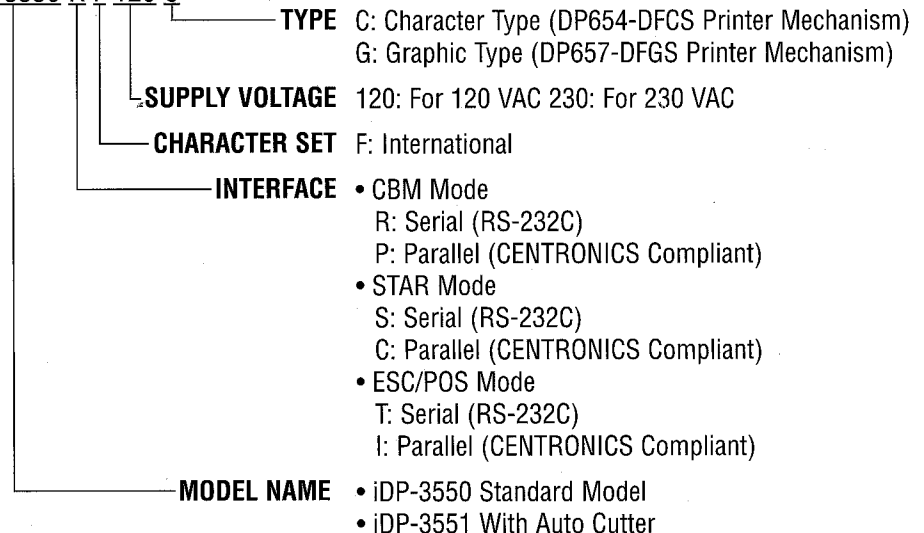
OUTLINE DRAWING OF IDP 3550



| Item/Model | iDP-3550RF/PF | iDP-3551RF/PF |
|------------------------------------|---|--|
| Print method | Serial dot impact method (Bidirectional print), 2-pass graphic (Unidirectional print) | |
| Print width | Character type: 63.6 mm/Graphic type: 58.7mm | |
| Print head | 9 pins | |
| Print speed | Character type: Approx. 3.6 lines/second/Graphic type: Approx. 3 lines/second | |
| Print columns | 40 Columns | |
| Character size | Character type: 1.36 mm(W) X2.4 mm(H) (7 dots) 1.36 mm(W) X3.1 mm(H) (9 dots) Graphic type: 1.20 mm(W) X2.4 mm(H) (7 dots) 1.20 mm(W) X3.1 mm(H) (9 dots) | |
| Line spacing | Character type: 4.23 mm (1/6 inch) Graphic type: 2.82mm (1/9 inch) | |
| Paper | Ordinary paper and non-carbon paper: 76+/-0.5 mm(W) x ø83 mm(OD) | |
| Ink ribbon | Special purpose ribbon cartridge: Red/Black or Single Color (Black or Purple) | |
| Interface | Serial(RS-232C), Parallel(CENTRONICS compliant) | |
| Command system | CBM mode, STAR mode, ESC/POS mode The user can select the mode with the DIP switch and preset jumpers. | |
| Input buffer | 6KB or 256 bytes (Selectable with the DIP switch) | |
| Drawer function | 2-drawer, 1-drawer switch | |
| Auto loading function | Automatically feeds the paper by several lines when it is inserted. | |
| Paper end detection | Stops printing when the paper has run out. | |
| Paper near end detection | Stops printing when the paper is running out. (Settable with a command) | |
| Auto cutter | None | AC-134-E (Capable of partial and full cut) |
| Weight | Approx. 2.8 kg Approx. 3 kg | |
| Outer dimensions | 160(W)x212(D)X194(H)mm 160(W)x212(D)X173(H)mm | |
| Operating temperature and Humidity | 0 to 40°C, 35 to 85 %RH (No dew condensation) | |
| Storage temperature and Humidity | -20 to 60°C, 10 to 90 %RH (No dew condensation) | |

MODEL CLASSIFICATIONS

iDP-3550 R F 120 C



CITIZEN

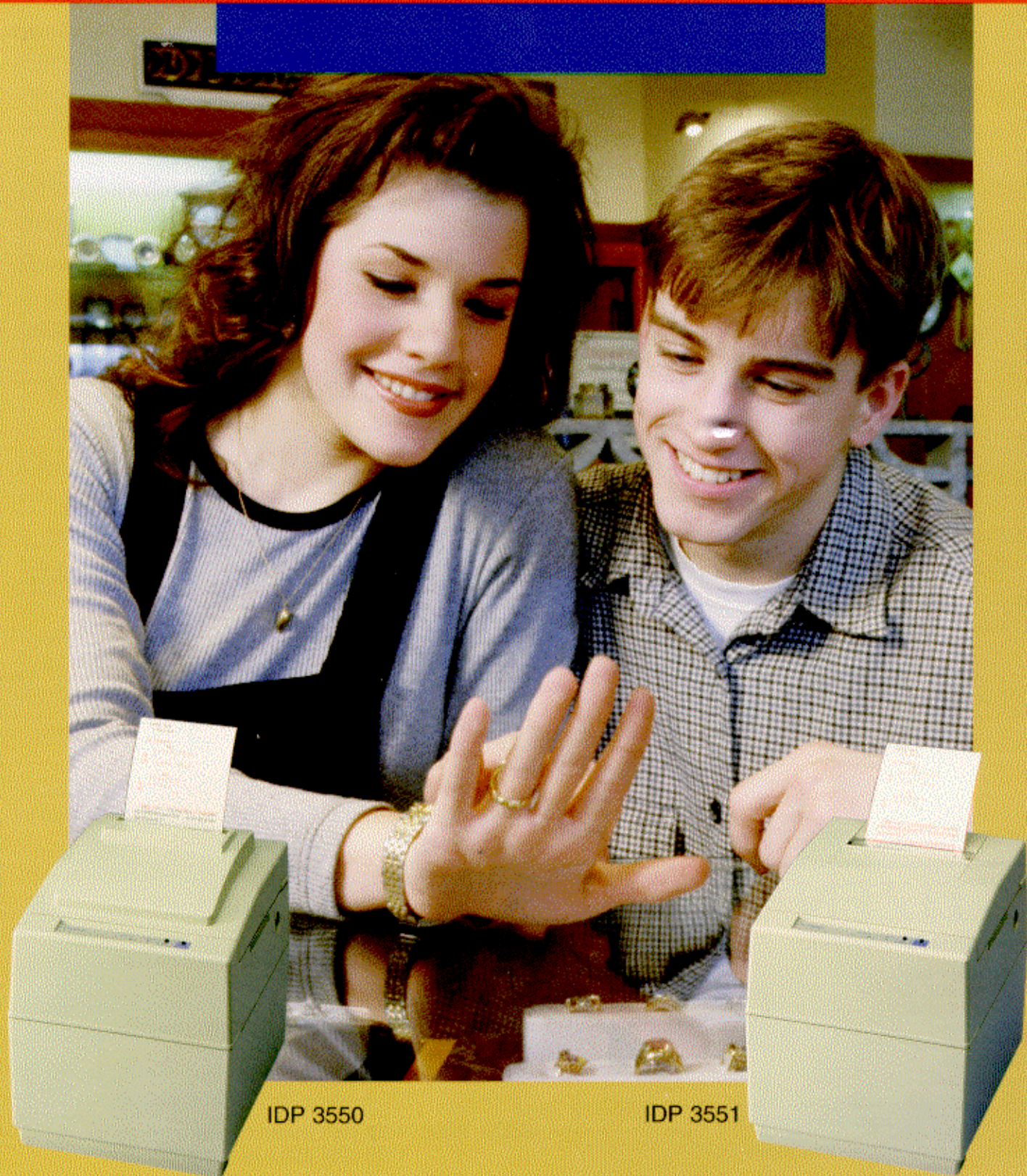
RELIABILITY•VALUE•SUPPORT

CBM America Corporation
 365 Van Ness Way, Suite 510
 Torrance, CA 90501
 310 781-1460
 310 781-9152 Fax
 800 421-6516
 www.cbma.com

All trademarks and copyrights acknowledged.
 All features and specifications are subject to
 change without notice.
 ©1999 CBM America Corporation. Printed U.S.A.

CITIZEN®

iDP-3550/3551



IDP 3550

IDP 3551