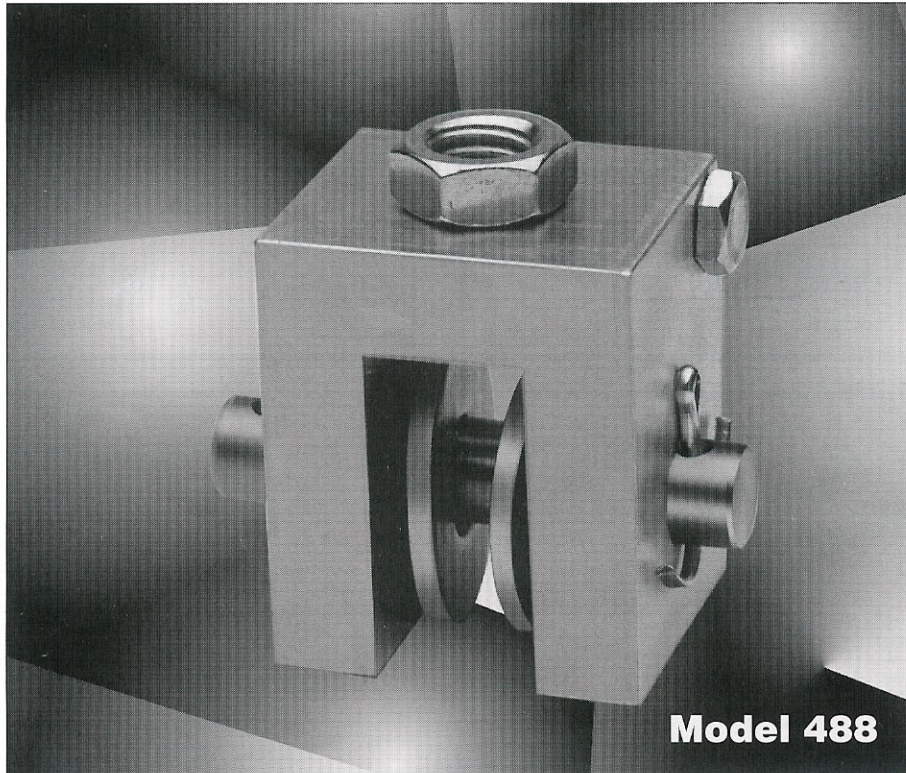


MOUNTING HARDWARE



Model 488

Totalcomp's Clevis mount provides electrical isolation

- ✓ **Heavy duty zinc plated steel.**
- ✓ **For use with grounding strap.**
- ✓ **Teflon washers provide electrical isolation.**

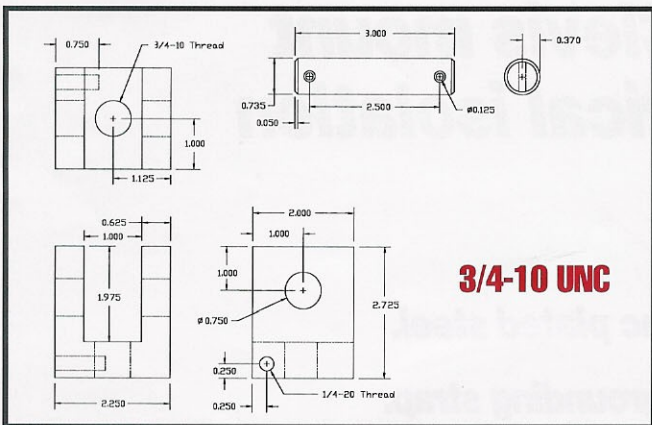
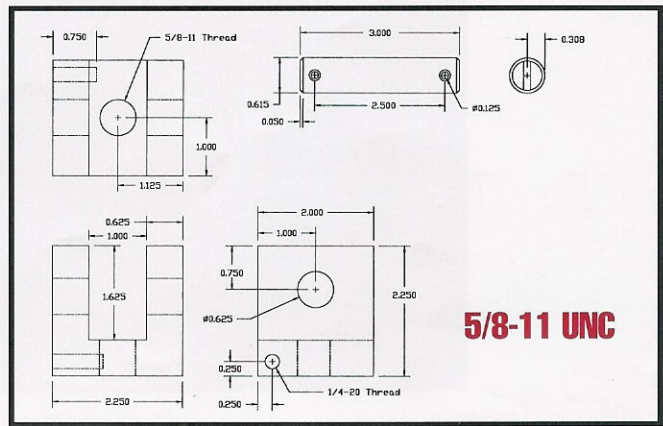
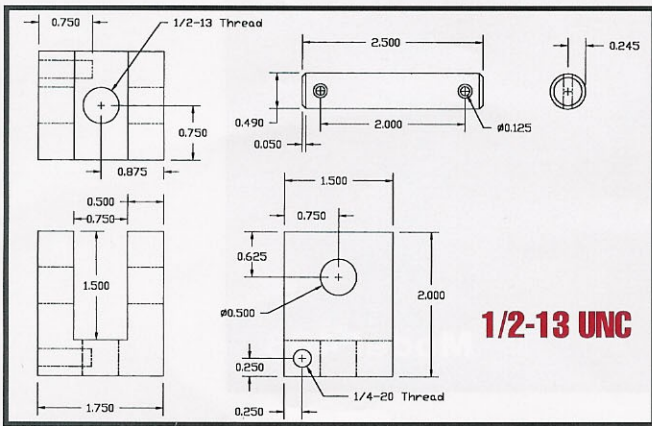
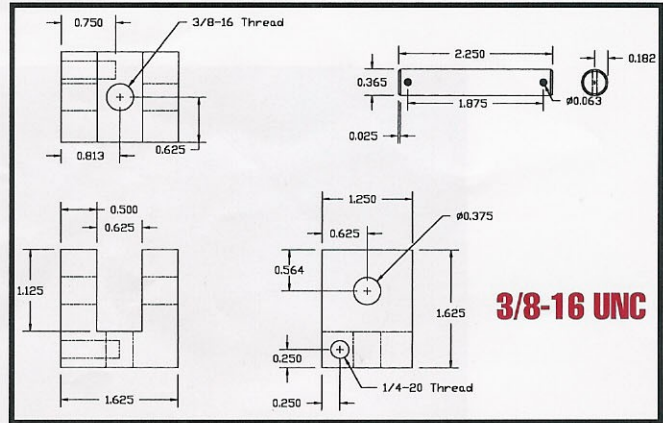
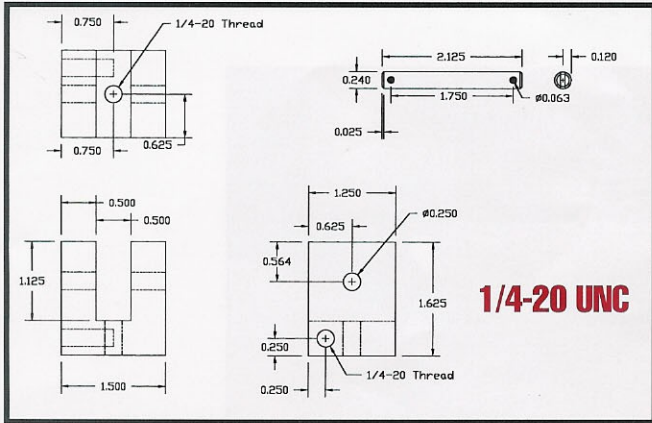


Totalcomp[®] Scales & Components

13-01 Pollitt Drive • Fair Lawn, New Jersey 07410

Fax: 201-797-2287 • Toll Free Fax: 888-797-2288 • Phone: 201-797-2718 • Toll Free Phone: 800-631-0347

SPECIFICATIONS



thread	capacity	pin dia.	gap at pin	stock #
1/4-20 UNC	300 lb.	.240"	.250"	587
3/8-16 UNC	300 lb.	.365"	.375"	588
1/2-13 UNC	3,000 lb.	.490"	.500"	488
5/8-11 UNC	10,000 lb.	.615"	.675"	589
3/4-10 UNC	10,000 lb.	.740"	.750"	590

TOTALCOMP LIMITED WARRANTY

Totalcomp warrants this products to be free of defects in materials and/or workmanship and suitable for the purpose(s) intended as outlined on this sheet. This warranty is effective and shall cover the purchaser for one year from the date of shipment from our plant. If this product is found to be defective by our inspection in accordance with the above listed criteria, we will replace or repair it at our expense. For warranty service, please obtain a return authorization number from us and return the item, shipping prepaid, with a written description of the problem. We will respond promptly with the results of our evaluation.



Totalcomp®

Scales & Components

13-01 Pollitt Drive
Fair Lawn, NJ 07410

Fax (201) 797-2287

Toll Free Fax (888) 797-2288

Phone (201) 797-2718

Toll Free Phone (800) 631-0347