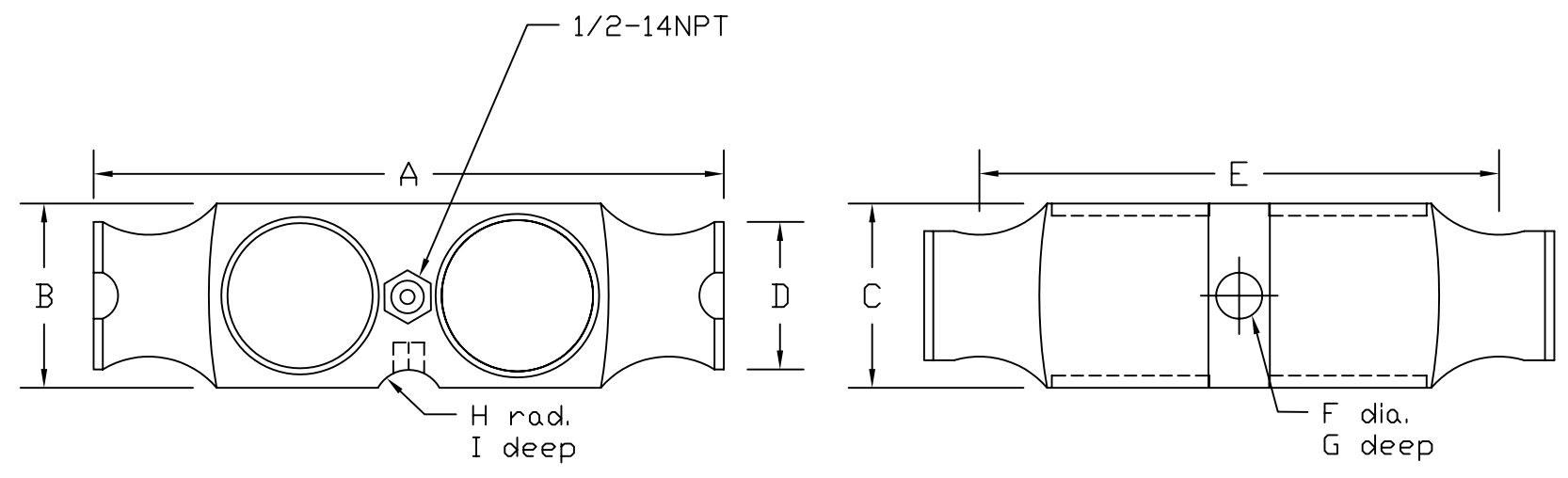


REVISIONS							
ZONE	LTR.	DESCRIPTION	DATE	ECN	BY	CKD	APVD
-	-	INITIAL RELEASE	11/03/06	-	-	-	-
-	A	EDITED DIMENSIONS TABLE	01/31/07	-	MP	AA	WH
-	B	EDITED DIMENSIONS TABLE	12/19/07	087	MP	AA	WH
-	C	ADDED THREAD DIMENSION TO VIEW	01/10/08	093	MP	AA	WH
-	D	EDITED NOTES	05/20/08	163	MP	AA	WH

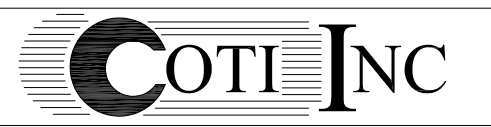


PERFORMANCE SPECIFICATIONS:

- CAPACITIES: 40K, 50K, 60K, 65K, 75K, 100K, & 125K LB
- RATED OUTPUT: 3.00 mV/V ±1%
- SAFE OVERLOAD: 150% FS
- EXCITATION VOLTAGE: 10-15V AC/DC
- BRIDGE RESISTANCE: 700 OHMS
- ZERO BALANCE: ±1.00% FS
- SEAL TYPE: ENVIRONMENTALLY SEALED, WELDED COVERS IP67
- NTEP RATED
- CLASS 111L, 10,000 DIVISION, MULTIPLE CELL
- COMPENSATED TEMPERATURE RANGE: -10°C - +40°C
- TEMPERATURE EFFECT ON ZERO: ±0.02%FS/10°C
- TEMPERATURE EFFECT ON OUTPUT: ±0.02%FS/10°C
- INSULATION RESISTANCE: >5000 MEGOHMS
- LOAD CELL CABLE: 4 CONDUCTOR, 50 FT (BRAIDED SHIELD)
- LOAD CELL WIRING:
 - GREEN +EXC
 - BLACK -EXC
 - WHITE +SIG
 - RED -SIG
 - BRAID/YELLOW: SHIELD
- FM APPROVED

RATED CAPACITY	DIMENSIONS										
	A	B	C	D	E	F	G	H	I		
40K-125K	10.25	3.00	3.00	2.40	8.50	0.75	0.78	1.00	0.28		

DO NOT ALTER WITHOUT AGENCY NOTIFICATION



CI-5223 DOUBLE ENDED BEAM
NTEP LOAD CELL

<p>THIS DRAWING USES THIRD ANGLE PROJECTION</p>	<p>APPROVALS</p> <p>DRAWN: MP</p> <p>CHECKED: AA</p> <p>ENGINEER: WH</p> <p>APPROVED: WH</p>	DATE
		11/03/06
		05/20/08
		05/20/08
<p>THIS DOCUMENT CONTAINS PROPRIETARY INFORMATION AND SUCH INFORMATION MAY NOT BE REPRODUCED OR DISCLOSED FOR ANY PURPOSE OR USED TO PRODUCE THE ARTICLE OR SUBJECT WITHOUT WRITTEN PERMISSION FROM COTI, INC.</p>	<p>TOLERANCES UNLESS OTHERWISE SPECIFIED</p> <p>.XX-±.01</p> <p>.XXX-±.005</p> <p>FRACTIONS-±1/16"</p> <p>ANGLES: ±1/2"</p>	MATERIAL
		ALLOY STEEL

SCALE	SIZE	PART/DRAWING NO.	REV.
NONE	B	DOD-CI-5223	D
MODEL	CI-5223	SHEET	1 OF 1