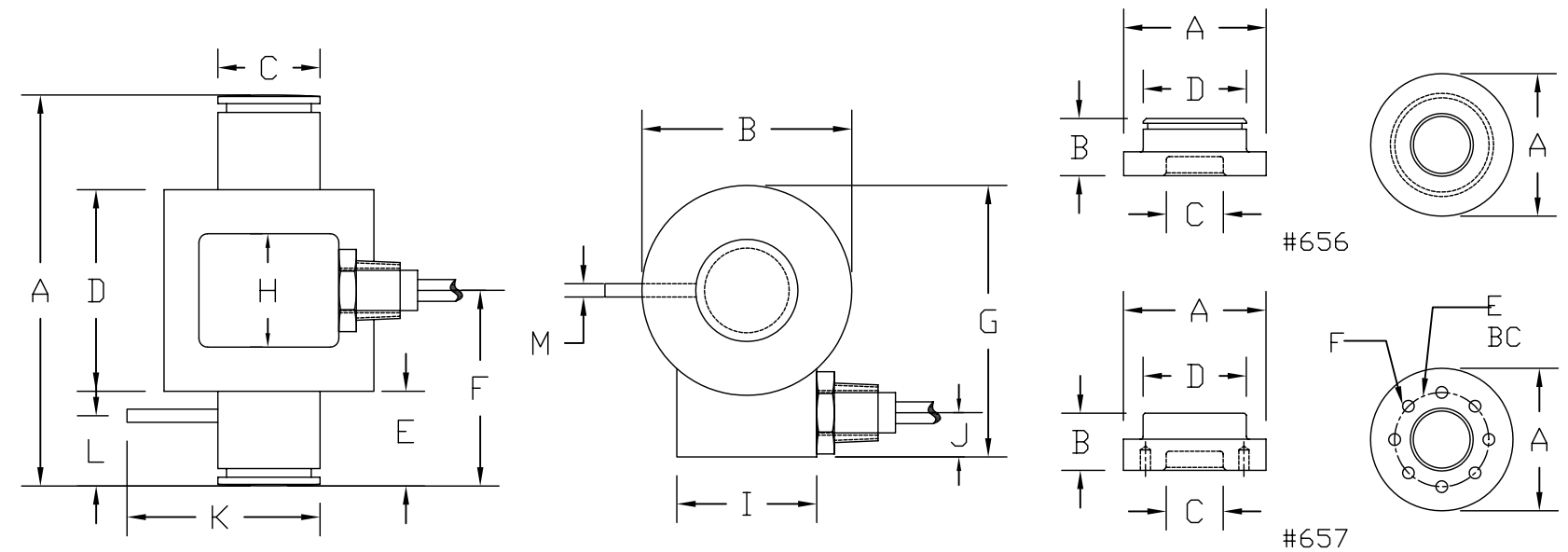


REVISIONS							
ZONE	LTR.	DESCRIPTION	DATE	ECN	BY	CKD	APVD
-	-	INITIAL RELEASE	11/03/06	-	-	-	-

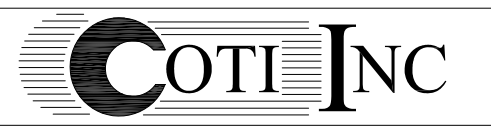


**PERFORMANCE SPECIFICATIONS:**

- CAPACITIES: 50K, 50KLE, 100K LB
- RATED OUTPUT: 2.00 mV/V ±1%
- SAFE OVERLOAD: 150% FS
- EXCITATION VOLTAGE: 10-15V AC/DC
- BRIDGE RESISTANCE: 1000 OHMS
- ZERO BALANCE: ±1.00% FS
- SEAL TYPE: HERMETICALLY SEALED
- NTEP RATED
- CLASS 111L, 10,000 DIVISION, MULTIPLE CELL
- COMPENSATED TEMPERATURE RANGE: -10°C - +40°C
- TEMPERATURE EFFECT ON ZERO: ±0.02%FS/10°C
- TEMPERATURE EFFECT ON OUTPUT: ±0.02%FS/10°C
- INSULATION RESISTANCE: >5000 MEGOHMS
- LOAD CELL CABLE: 4 CONDUCTOR, 50 FT (BRAIDED SHEILD)
- LOAD CELL WIRING:
  - GREEN +EXC
  - BLACK -EXC
  - WHITE +SIG
  - RED -SIG
  - BRAID/YELLOW: SHIELD

RATED CAPACITY	DIMENSIONS												
	A	B	C	D	E	F	G	H	I	J	K	L	M
50K	6.00	3.00	1.46	2.88	1.56	3.00	3.88	1.62	2.00	0.50	2.88	1.00	0.038
50KLE	7.56	3.00	1.46	2.88	2.34	3.78	3.88	1.62	2.00	0.50	2.88	1.00	0.038
100K	8.86	3.00	1.46	2.88	3.00	4.43	3.88	1.62	2.00	0.50	2.88	2.00	0.038
656	3.75	1.50	1.50	2.71	-	-	-	-	-	-	-	-	-
657	4.13	1.69	1.50	2.71	2.25	M10x1.0	-	-	-	-	-	-	-

DO NOT ALTER WITHOUT AGENCY NOTIFICATION



**CP 26S1 COMPRESSION CANISTER  
NTEP LOAD CELL**

<p>THIS DRAWING USES THIRD ANGLE PROJECTION</p>	<p>THIS DOCUMENT CONTAINS PROPRIETARY INFORMATION AND SUCH INFORMATION MAY NOT BE REPRODUCED OR DISCLOSED FOR ANY PURPOSE OR USED TO PRODUCE THE ARTICLE OR SUBJECT WITHOUT WRITTEN PERMISSION FROM COTI, INC.</p>	<p>TOLERANCES UNLESS OTHERWISE SPECIFIED .XX±.01 .XXX±.005 FRACTIONS±1/16" ANGLES: ±1/2"</p>	APPROVALS		DATE
			DRAWN: MP		11/03/06
			CHECKED: AA		11/03/06
			ENGINEER: WH		11/03/06
APPROVED: WH				11/03/06	
MATERIAL			STAINLESS STEEL		

SCALE	SIZE	PART/DRAWING NO.	REV.
NONE	B	DOD-CP 26S1	-
MODEL CP 26S1		SHEET 1 OF 1	