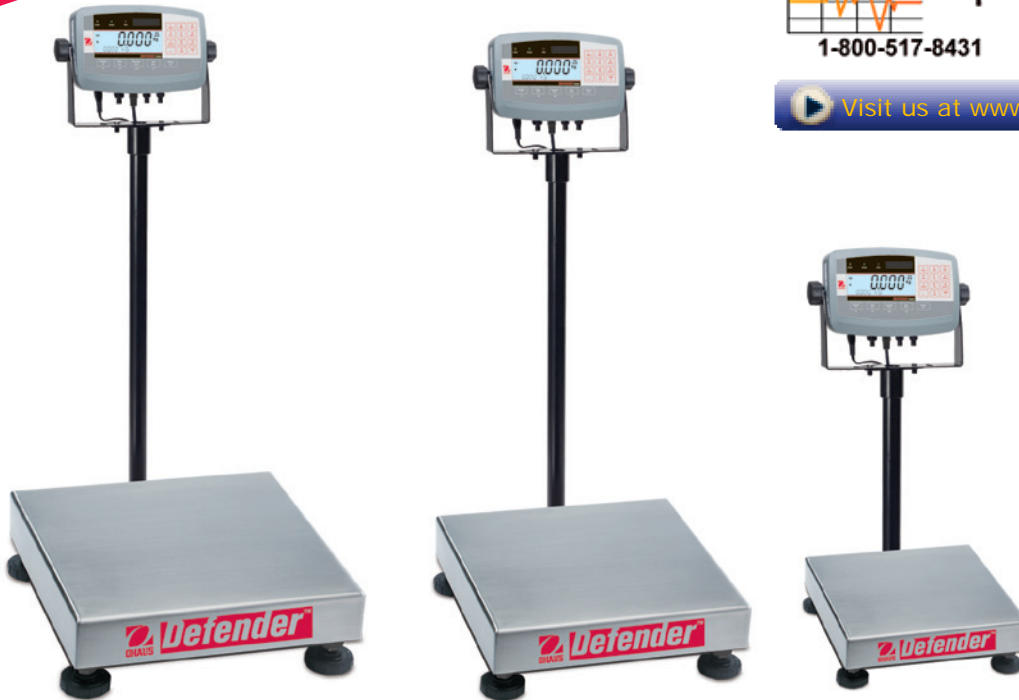




Defender™ 7000

Advanced Square Scales



**Test Equipment
Depot**
1-800-517-8431

99 Washington Street
Melrose, MA 02176
Phone 781-665-1400
Toll Free 1-800-517-8431

Visit us at www.TestEquipmentDepot.com



Counting function is not legal for trade

Advanced Smart Functionality, Durability, OHAUS Quality and Value

The OHAUS Defender™ 7000 Series is a feature-rich line of bench scales, combining an ABS plastic T71P indicator with painted steel bases and columns. Ideal for shipping and receiving, production, packaging and general commercial and industrial weighing applications, the Defender 7000 offers a multifunctional indicator with multiple weighing units, alpha-numeric keypad and software modes to meet the requirements of industrial and lab applications. With rugged construction, comprehensive yet intuitive software and multiple connectivity options, the Defender 7000 can meet the needs of demanding industrial operations.

Standard Features Include:

- Painted steel base with ABS indicator
- 10,000-12,500d default resolution
- 1:5,000 certified resolution
- Quick display of results using large dual line LCD with high-contrast white backlight
- Temporary display of 10x readability in weighing mode using quick key press
- Easy to operate with positive feedback 5-function key and alpha-numeric membrane keypad
- Weighs in one or more units: kg, g, lb, oz, lb:oz (decimal), tonnes and user-definable custom unit
- Multiple weighing modes including Counting, Percent Weighing, Dynamic/Animal Weighing, Checkweighing, Display Hold, and Accumulation
- 255 item Library data storage function
- Internal power supply with universal line cord or 6 "C" batteries (80 hour battery life) – optional NiMH internal rechargeable power pack available
- Includes RS232 interface with GMP/GLP data output including date and time, and external analog base input for dual-base counting
- Base and indicator connected using quick connect plug
- Options include DC relay control kit, AC relay control kit, RS485/422 and 2nd RS232 interfaces, Alibi memory module

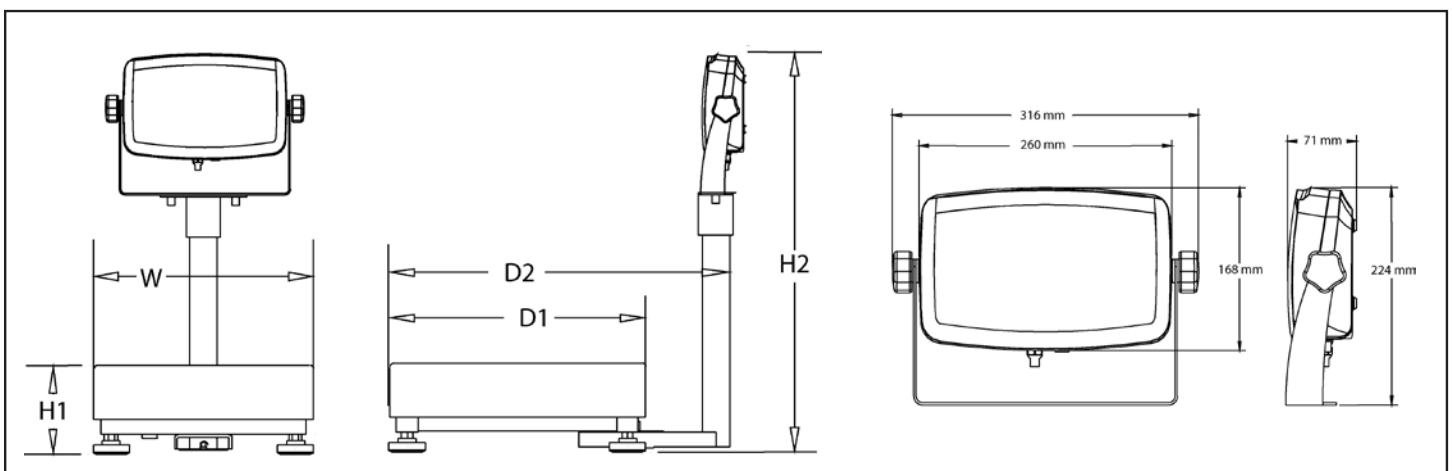
Defender™ 7000 Advanced Square Scale

The Defender 7000 Offers Multiple Features and Easy Configuration:

To meet different operational needs, the Defender 7000 includes a suite of configurable software:

- Counting mode for packaging and inventory control, enabling counting into a container or out of a container for bulk operations. Supports a maximum counting resolution to 1:500,000 (minimum APW equal to 0.1d), selectable auto-optimization of average piece weight (APW). APW data can be displayed at any time using a quick key press.
- Percent Weighing mode for formulation and mixing applications, with display of reference weight with quick key press.
- Dynamic/Animal Weighing with selectable averaging times from 0-60 seconds.
- Checkweighing function for count and weight checking, with display of results using LCD display and red/yellow/green LEDs. Audible beeper can be configured to prompt when weight is within range, under, over, or under or over range. Target values can be displayed at any time using a quick key press.
- Display Hold mode for weighing large packages, holds last stable weight on display until cleared manually or automatically
- The Defender 7000 weighs in one or more user-selectable units: kg, g, lb, oz, lb:oz (decimal), tonnes and user-definable custom unit
- Supports GMP/GLP data output with date, time user ID, project ID and scale ID. The Defender 7000 features selectable print options for data and print format
- To limit operator access to functions, the Defender 7000 offers both software lockouts for menu items as well as individual key functions.
- Library storage for up to 255 memory records that may contain data from a combination of different modes. These reference data can be quickly and conveniently recalled for use with the active mode.
- Multi-language feature allows the user to display operation and menu text in the language of their choice: English, Spanish, French, German, Italian. This allows for convenience and ease of training and operation of the Defender 7000.
- Accumulation mode with statistics feature allows totalizing weight and count values manually or automatically. The total accumulated value is displayed in real-time. With the press of the "Info" key, the number of weighments, average, standard deviation, minimum, maximum and difference are displayed. These statistical values can also be printed.
- Dual scale connections are built-in for 2-scale counting configuration. Connect two bases, a higher resolution base to optimize average piece weight, in conjunction with a large capacity base to weigh/count in bulk.
- Store, view and print over 262,000 date and time-stamped weighing results with the optional Alibi memory kit.

Outline Dimensions



Standard Features:

3-Color LED Checkweigh Indication
with configurable beeper alert

High-Visibility Dual Line LCD Display
with bright white LED backlight and fast display stable weight within 2 seconds

Simple Plug-In Battery Installation



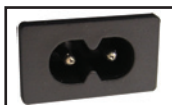
Use six C- alkaline batteries or the optional NiMH battery

Included Table/Wall Mount Bracket

With large ergonomic adjustable knobs to maximize viewing angles. A ratchet-type angle adjustment with metal inserts ensure that viewing angles are set securely, and lasts a long time even with frequent adjustments



Universal Switching Power Supply



100-240 VAC with AC line cord; no need for an external AC adapter!

Painted Steel Columns

Available in both short and tall lengths

Fully Adjustable Feet

Four rugged, adjustable feet help prevent slippage on wet or uneven surfaces

Internal Slot for Capacity Label

Protects label from the effects of moisture and external environments

Reversible Rear Housing

Cables can exit above (table or front scale mounting) or below (wall or bench scale mounting) for convenient mounting. Front scale mounting with available accessory. Internal structural ribs provide strength and minimize flexing.



Library Data Storage Function

Storage and quick recall of data records for up to 255 items

One-Key, Multiple Mode Selection

Counting, Dynamic Weighing, Display Hold, Percent Weighing and Checkweighing

Stay Connected/Output

Built in RS232 bi-directional interface and built-in external input, optional RS422/485, optional second RS232 and optional AC or DC relay. Optional Alibi memory kit for data recording and traceability

Plug-in Load Cell Connector

Allows for simple connection to Defender bases or directly to terminal block.



Durable Base Frame Construction

Stainless steel pans and painted steel form-and-weld frames (R, L bases) provide maximum durability, rigidity and structural integrity. Load-unload cycle tested to ensure long-term performance.



Options and Accessories

Interface Options

	OHAUS Number
AC Relay Kit.....	80500720
DC Relay Kit.....	80500727
RS485/422 Interface Kit.....	80500731
Second RS232 Interface Kit.....	80500733
Foot Switch.....	71173378

Power Options

Rechargeable Battery Kit, T71P/T71XW.....	80500729
---	----------

Other Accessories

	OHAUS Number
Compact Dot Matrix Impact Printer.....	80252042
Compact Thermal Printer.....	80251992
OHAUS Collect Software.....	80500746
Alibi Memory Option Kit.....	80500503
TAL Software WinWedge.....	SW12W
Paper for Printer, 80252042 (1 roll).....	80251932
Ribbon for Printer, 80252042.....	80251933
RS232 Cable & Adapter, 80252042 Printer to T71P.....	80252571
RS232 Cable, PC 9-pin to T71.....	80500525
RS232 Cable, PC 25-pin to T71P.....	80500524

Defender™ 7000 Advanced Square Scales

Specifications

Model	D71P10QR1	D71P25QR1	D71P50QL2	D71P100QL2	D71P250QX2
Capacity (max) x Default Readability (d)	25lb x 0.002lb 400oz x 0.05oz 25lb : 0.05oz 10kg x 0.001kg 10000g x 1g	50lb x 0.005lb 800oz x 0.1oz 50lb x 0.1oz 25kg x 0.002kg 25000g x 2g	100lb x 0.01lb 1600oz x 0.2oz 100lb : 0.2oz 50kg x 0.005kg 50000g x 5g	250lb x 0.02lb 4000oz x 0.5oz 250lb : 0.5oz 100kg x 0.01kg 100000g x 10g	500lb x 0.05lb 8000oz x 1oz 500lb : 1oz 250kg x 0.02kg 250000g x 20g
Maximum Displayed Resolution	1:12500	1:12500	1:10000	1:12500	1:12500
Capacity x Certified/Approved Readability	25 lb x 0.005 lb 10 kg x 0.002 kg	50 lb x 0.01 lb 25 kg x 0.005 kg	100 lb x 0.02 lb 50 kg x 0.01 kg	250 lb x 0.05 lb 100 kg x 0.02 kg	500 lb x 0.10 lb 250 kg x 0.05 kg
Maximum Certified Resolution	1:5,000	1:5,000	1:5,000	1:5,000	1:5,000
Indicator Model	T71P				
Column	13.8 in / 350 mm painted steel		26.8 in / 680 mm painted steel		
Construction	ABS plastic indicator, stainless steel removable weighing platform, painted steel column and base construction, aluminum loadcell				
Safe Overload Capacity	150% of maximum capacity				
Protection	Dry use for scale, IP67 for loadcell				
Weighing Units	lb, oz, lb:oz, kg, g, custom unit				
Modes/Features	Static Weighing (single or dual range), Dynamic Weighing, Counting, Checkweighing, Percent Weighing, Display Hold, Accumulation, Library				
Display	6-digit, 7-segment LCD, 25mm/1 inch high primary digits, dual line, with high-contrast white LED backlight				
Keypad	Positive feedback membrane keys, 5 function keys and alpha-numeric keypad				
Stabilization Time	Within 2 seconds				
Auto-zero Tracking	Off, 0.5, 1 or 3 d				
Zeroing Range	2% or 100% of capacity				
Calibration	Span: 1kg or 1lb to 100% of capacity / Linearity: 3 or 5 point				
Power	100-240 VAC / 50-60Hz internal universal power supply, 6 'C' cell batteries (not supplied) with 80 hour life				
Interface	RS232 and external input				
Operating Temperature Range	14°F to 104°F / -10°C to 40°C				
Shipping Dimensions (L x W x H)	19.3 x 16.1 x 17.3 in 490 x 410 x 440 mm		31.2 x 23.6 x 9.5 in 810 x 600 x 240 mm		39.4 x 29.9 x 9.8 in 1000 x 760 x 250 mm
Scale Dimensions (W x H1 x H2 x D1 x D2)	12 x 3.7 x 23.2 x 12 x 16.7 in 305 x 95 x 590 x 305 x 425 mm		18 x 4.5 x 37 x 18 x 22.7 in 457 x 115 x 940 x 457 x 577 mm		24 x 5.4 x 37 x 24 x 28.7 in 610 x 137 x 940 x 610 x 730 mm
Net Weight	32.4 lb / 14.7 kg		66.6 lb / 30.2 kg		83.8 lb / 38.0 kg
Shipping Weight	37.7 lb / 17.1 kg		71.4 lb / 32.4 kg		97.9 lb / 44.4 kg

Features

T71P: ABS plastic housing with internal rib reinforcements, reversible rear cover, backlit LCD weight display, checkweighing indication (green, yellow, red), membrane keypad with raised tactile keys, built-in bi-directional RS232 with manual/continuous/interval printing, external tare input, hardware configuration lockout switch, internal switching power supply with line cord and battery power using 6 "C" cell batteries.

Other Features

Zero point calibration, calibration test, span or linear calibration, selectable auto-zero tracking range, selectable stability range, selectable averaging level, selectable LCD backlight, selectable auto shutoff, retain zero weight data after power-off, Geo gravity adjustment, selectable key beep, key function lock, menu lock, selectable power-on and calibration unit, battery status display, display of gross/net weight, indication of stability, center of zero, over- and underweight, overload and underload conditions. Configuration menus for PRINT1, PRINT2, COM1, COM2, and I/O.

Compliance

- **Legal for Trade (Made from Certified/Approved weighing components):** NTEP (CC No. 09-102 for indicator; 01-048A1 for bases) / Measurement Canada (Approval No. AM-5762 for Indicator; AM-5719 for bases)
- **Safety and EMC:** UL_{US} 2005/95/EC low voltage directive: EN60950-1:2001, FCC Part 15 Class A 2004/108/EC EMC directive: EN61326-1:1997; +A1:1998; +A2:2001; + A3>2003
- **Other:** Compliant to Directive 2002/96/EC on waste electrical and electronic equipment (WEEE)
- **Quality:** OHAUS quality management system registered to ISO 9001:2008

OHAUS CORPORATION

*With offices throughout Europe,
Asia, and Latin America*

* ISO 9001
Registered Quality Management System



80774473_C © Copyright Ohaus Corporation