



Hermetically Sealed Stainless Steel Shear Beam Load Cell



65080-TWA



FEATURES

- Rated capacities of 1000 to 10,000 pounds
500kg to 5 metric tons
- Stainless steel, welded seal construction
- Interchangeable with Sensortronics model 65023 shear beam
- Trade certified for NTEP Class III: 5000 Divisions and Class IIIIL: 10000 Divisions; OIML R60: 3000 Divisions
- Hermetically *Sensorgage*™ sealed to IP68 standards
- *Cell Guard*™ two year warranty
- Factory Mutual System approved for Classes I, II, III; Divisions 1 and 2; Groups A through G. Also, non-incendive ratings (No barriers!).

OPTIONAL FEATURES

- Companion weigh module is Model 65080 Stainless Steel *TantaMount*

DESCRIPTION

Model 65083H provides the weighing industry with the **ultimate** protection necessary for today's hostile environments in an economical low profile range suitable for platform scale manufacture.

Its low profile and all welded sealing combined with high accuracy makes this load cell ideally suited for low profile platforms, pallet truck weighers, tanks and silos. The guide slots incorporated into the upper and lower mounting faces enable manufacturers to easily position the load cell.

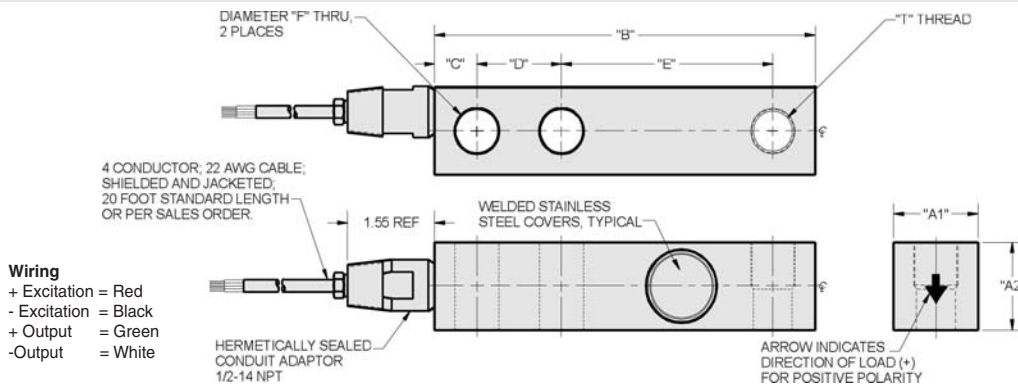
Hermetically sealed against moisture, the construction of the model 65083H in combination with a polyurethane dual shielded cable, enables continuous operation in harsh environments while maintaining a high operating specification.

The two additional sense wires feed back the voltage reaching the load cell. Complete compensation of changes in lead resistance due to temperature change and/or cable extension, is achieved by feeding this voltage into the appropriate electronics.

APPLICATIONS

- Hostile environments:
Food & beverage processing
Chemical and plastics processing
Pharmaceutical and biomedical processing
- Washdown and Clean-In-Place environments
- High performance weighing modules and assemblies

OUTLINE DIMENSIONS in inches [mm]



CAPACITY	A1	A2	B	C	D	E	F	G-THREAD	DEFLECTION	WEIGHT
1K - 4K	1.22	1.22	5.12	0.62	1.00	3.00	0.53	1/2-20 UNF-2B, Ø0.53 x 0.61 DP C'BORE	0.012	2.4
5K - SE*	1.22	1.22	5.12	0.62	1.00	3.00	0.53	1/2-20 UNF-2B, Ø0.53 x 0.61 DP C'BORE	0.012	2.4
5K - 10K	1.50	1.50	6.75	0.75	1.50	3.75	0.78	3/4-16 UNF-2B, Ø0.78 x 0.75 DP C'BORE	0.030	3.9
[500kg - 2t]	[31.0]	[31.0]	[130.0]	[16.0]	[25.0]	[76.0]	[13.0]	M12 x 1.75-6H	[0.305]	[1.1]
[500kg - 2t]	[31.0]	[31.0]	[130.0]	[16.0]	[25.0]	[76.0]	[13.0]	M12 x 1.75-6H	[0.305]	[1.1]
[3t - 5t]	[38.0]	[38.0]	[171.0]	[19.0]	[38.0]	[95.0]	[20.0]	M20 x 2.5-6H	[0.762]	[1.8]

Capacities are in pounds [kg/t]. Deflection is ±10%. Certified drawings are available.
 *SE denotes "Small Envelope". A 5K capacity is available in the 1K/4K dimensional envelope.

Model 65083H

Vishay Sensortronics

Hermetically Sealed Stainless Steel
Shear Beam Load Cell



SPECIFICATIONS

PARAMETER	VALUE				UNIT
Rated capacity-R.C. (E_{max})	1K, 1.5K, 2.5K, 4K, 5K, 10K 500kg, 750kg, 1t, 2t, 5t				lbs kg/metric tons
NTEP/OIML Accuracy class	NTEP III	NTEP IIII	Standard	OIML R60	
Maximum no. of intervals (n)	5000 multiple	10000 multiple		3000	
$Y = E_{max}/V_{min}$	NTEP Cert. No. 98-175			8333	Maximum available
Rated output-R.O.	2.0	2.0	3.0	2.0	mV/V
Rated output tolerance	0.25				±% mV/V
Zero balance	1.0				±% FSO
Combined error	0.02	0.02	0.03	0.02	±% FSO
Non-repeatability	0.01				±% FSO
Creep error (30 minutes)	0.03	0.03	0.03	0.017	±% FSO
Temperature effect on zero	0.0010	0.0010	0.0015	0.0010	±% FSO/°F
Temperature effect on output	0.0008	0.0008	0.0008	0.0007	±% of load/°F
Compensated temperature range	14 to 104 (-10 to 40)				°F (°C)
Operating temperature range	0 to 150 (-18 to 65)				°F (°C)
Storage temperature range	-60 to 185 (-50 to 85)				°F (°C)
Sideload rejection ratio	500:1				
Safe sideload	100				% of R.C.
Maximum safe central overload	150				% of R.C.
Ultimate central overload	300				% of R.C.
Excitation, recommended	10				Vdc or Vac rms
Excitation, maximum	15				Vdc or Vac rms
Input impedance	343 - 357				Ω
Output impedance	349 - 355				Ω
Insulation resistance at 50VDC	>1000				MΩ
Material	Stainless steel				
Environmental protection	IP68 welded seals, glass to metal cable!!				Special
Recommended torque	All capacities up to 5000kg - 136.0 5000kg - 205.0				N*m

FSO - Full Scale Output

All specifications subject to change without notice.

VISHAY TRANSDUCERS (VT) SALES OFFICES

VT Americas
City of Industry, CA
PH: +1-626-858-8899
FAX: +1-626-332-3418
vt.us@vishaymg.com

VT Netherlands
Breda
PH: +31-76-548-0700
FAX: +31-76-541-2854
vt.nl@vishaymg.com

VMG UK
Basingstoke
PH: +44-125-646-2131
FAX: +44-125-647-1441
vt.uk@vishaymg.com

VMG Israel
Netanya
PH: +972-9-863-8888
FAX: +972-9-863-8800
vt.il@vishaymg.com

VMG Germany
Heilbronn
PH: +49-7131-3901-260
FAX: +49-7131-3901-2666
vt.de@vishaymg.com

VT China
Tianjin
PH: +86-22-2835-3503
FAX: +86-22-2835-7261
vt.prc@vishaymg.com

VMG France
Chartres
PH: +33-2-37-33-31-20
FAX: +33-2-37-33-31-29
vt.fr@vishaymg.com

VT Taiwan*
Taipei
PH: +886-2-2696-0168
FAX: +886-2-2696-4965
vt.roc@vishaymg.com
*Asia except China



Notice

Specifications of the products displayed herein are subject to change without notice. Vishay Intertechnology, Inc., or anyone on its behalf, assumes no responsibility or liability for any errors or inaccuracies.

Information contained herein is intended to provide a product description only. No license, express or implied, by estoppel or otherwise, to any intellectual property rights is granted by this document. Except as provided in Vishay's terms and conditions of sale for such products, Vishay assumes no liability whatsoever, and disclaims any express or implied warranty, relating to sale and/or use of Vishay products including liability or warranties relating to fitness for a particular purpose, merchantability, or infringement of any patent, copyright, or other intellectual property right.

The products shown herein are not designed for use in medical, life-saving, or life-sustaining applications. Customers using or selling these products for use in such applications do so at their own risk and agree to fully indemnify Vishay for any damages resulting from such improper use or sale.