

T408

TANK MOUNT



Very low profile canister load cell & heavy duty mounting assembly

- ✓ Capacities from 250 to 5K lbs. - **IN STOCK!**
- ✓ Stainless steel or nickel plated construction.
- ✓ Self-checking, hermetically sealed load cell.
- ✓ Self-aligning design.
- ✓ Features integral mounting plates.
- ✓ Built-in vibration dampening.

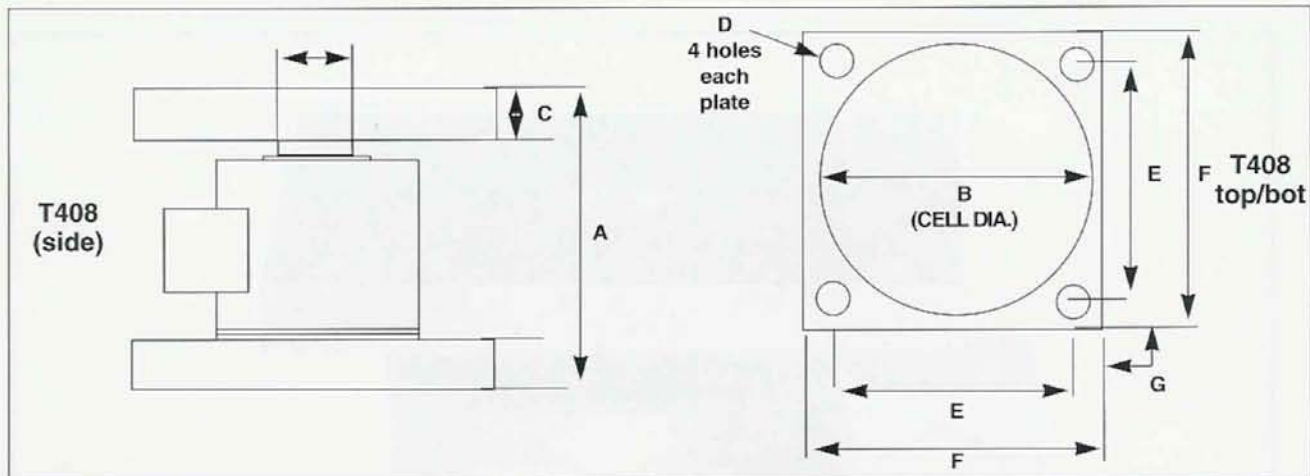


Totalcomp Scales & Components

99 Reagent Lane • Fair Lawn, New Jersey 07410

Fax: 201-797-2287 • Toll Free Fax: 888-797-2288 • Phone: 201-797-2718 • Toll Free Phone: 800-631-0347

Email: sales@totalcomp.com • Website: www.totalcomp.com



CANISTER LOAD CELL w/TANK MOUNT ASSEMBLY

The Totalcomp T408 Series Tank Mount Assembly contains a hermetically sealed canister load cell and is available in either stainless steel or nickel plated, depending upon your application. This assembly features built-in vibration dampening and built-in leveling for simplified installation. Suited for tank, bin, hopper, and silo weighing as well as batching, blending, mixing, level and inventory weighing

NICKEL	STAINLESS	CAPACITY	A	B	C	D	E	F	G
T408-250	T408-250-SS	250 lbs	4.00	3.50	.5	.44	4.00	5.00	.5
T408-500	T408-500-SS	500 lbs	4.00	3.50	.5	.44	4.00	5.00	.5
T408-1,000	T408-1,000-SS	1K lbs	4.00	3.50	.5	.44	4.00	5.00	.5
T408-1,500	T408-1,500-SS	1.5K lbs	4.00	3.50	.5	.44	4.00	5.00	.5
T408-2,000	T408-2,000-SS	2K lbs	4.00	3.50	.5	.44	4.00	5.00	.5
T408-3,000	T408-3,000-SS	3K lbs	4.00	3.50	.5	.44	4.00	5.00	.5
T-408-5,000	T-408-5,000-SS	5K lbs	4.00	3.50	.5	.44	4.00	5.00	.5

Performance

Full Scale Output
2.0 mv/v

Nonlinearity
±0.05% FSO

Hysteresis
±0.03% FSO

Repeatability
±0.02% FSO

Zero Balance
±0.1% FSO

Overload, Safe
200%

Overload, Ultimate
400% FS

Electrical

Bridge Resistance
Input 1050±10 ohms
Output 1000±10 ohms

Excitation Voltage
10VDC (20VDC Max)

Insulation Resistance
Bridge to Ground
5000 Megaohms
Shield to Ground
2000 Megaohms

Temperature

Compensated Range
+15°C to +115°F

Operating Range
-30°F to +175°F

Effect on Zero balance
1.0% FSO

Mechanical

Material
Stainless or Carbon Steel

Sealing
NEMA 6 or IP67

Wiring

Cable length & Type
20 foot, 4 conductor

Cable Color Code
+ ExcitationGreen
- ExcitationBlack
+ OutputWhite
- OutputRed
ShieldBare

TOTALCOMP LIMITED WARRANTY

Totalcomp warrants these products to be free of defects in materials and/or workmanship and suitable for the purpose(s) intended as outlined on this sheet. This warranty is effective and shall cover the purchaser for one year from the date of shipment from our plant. If these products are found to be defective by our inspection in accordance with the above listed criteria, we will replace or repair it at our expense. For warranty service, please obtain a return authorization number from us and return the item, shipping prepaid, with a written description of the problem. We will respond promptly with the results of our evaluation.



Totalcomp®

Scales & Components

99 Reagent Lane
Fair Lawn, NJ 07410
Fax (201) 797-2287
Toll Free Fax (888) 797-2288
Phone (201) 797-2718
Toll Free Phone (800) 631-0347
Email sales@totalcomp.com
Website www.totalcomp.com