

## SPECIFICATIONS

# T96 & T496



T96/T496

- ✓ Stainless Steel Construction.
- ✓ Available in capacities
- ✓ Reliable-Durable-Precise
- ✓ Includes 35ft. 4 cond. cable

From 500 – 2K lb.



## **Totalcomp**

**Scales & Components**

the weigh you want... *today!*

99 Reagent Lane • Fair Lawn, New Jersey 07410

Fax: 201-797-2287 • Toll Free Fax: 888-797-2288 • Phone: 201-797-2718 • Toll Free Phone: 800-631-0347

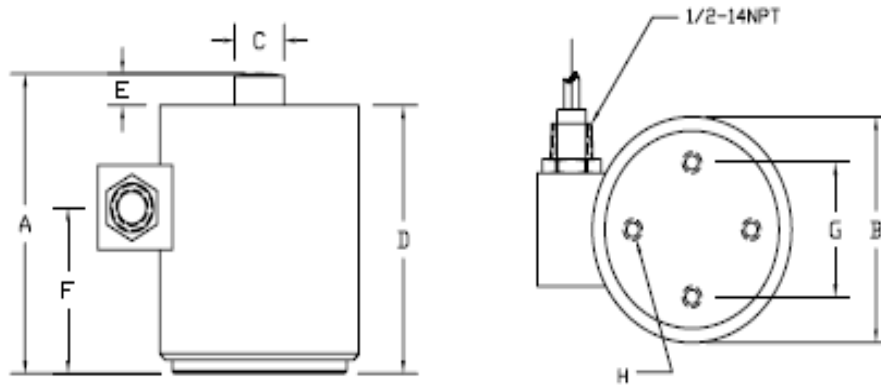
Email: [sales@totalcomp.com](mailto:sales@totalcomp.com) • Website: [www.totalcomp.com](http://www.totalcomp.com)

# SPECIFICATIONS

# T96 & T496

### PERFORMANCE SPECIFICATIONS:

1. CAPACITIES: 5K, 10K, 15K, 20K, & 50K LB
2. RATED OUTPUT: 2.00 mV/V  $\pm 1\%$
3. SAFE OVERLOAD: 150% FS
4. EXCITATION VOLTAGE: 10-15V AC/DC
5. BRIDGE RESISTANCE: 240 OHMS
6. ZERO BALANCE:  $\pm 1.00\%$  FS
7. SEAL TYPE: HERMETICALLY SEALED
8. NON-LINEARITY:  $\pm 0.03\%$  FS
9. HYSTERESIS:  $\pm 0.02\%$  FS
10. COMPENSATED TEMPERATURE RANGE:  $-10^{\circ}\text{C} - +50^{\circ}\text{C}$
11. TEMPERATURE EFFECT ON ZERO:  $\pm 0.02\%$  FS/ $10^{\circ}\text{C}$
12. TEMPERATURE EFFECT ON OUTPUT:  $\pm 0.02\%$  FS/ $10^{\circ}\text{C}$
13. INSULATION RESISTANCE:  $>5000$  MEGOHMS



Rated Capacity	A	%	C	D	&	F	'	(
500 – 2k	3.312	3.50						Both ends 1/2-20UNFx.50DP
5k – 10k	5.31	4.00	1.00	4.71	0.56	2.94	2.38	3/8-24 UNF x.62deep
15k – 50k	7.12	4.50	1.25	6.30	0.75	3.26	2.38	3/8-24 UNF x.62deep



**Scales & Components**

the weigh you want... *today!*

99 Reagent Lane • Fair Lawn, New Jersey 07410

Fax: 201-797-2287 • Toll Free Fax: 888-797-2288 • Phone: 201-797-2718 • Toll Free Phone: 800-631-0347

Email: [sales@totalcomp.com](mailto:sales@totalcomp.com) • Website: [www.totalcomp.com](http://www.totalcomp.com)