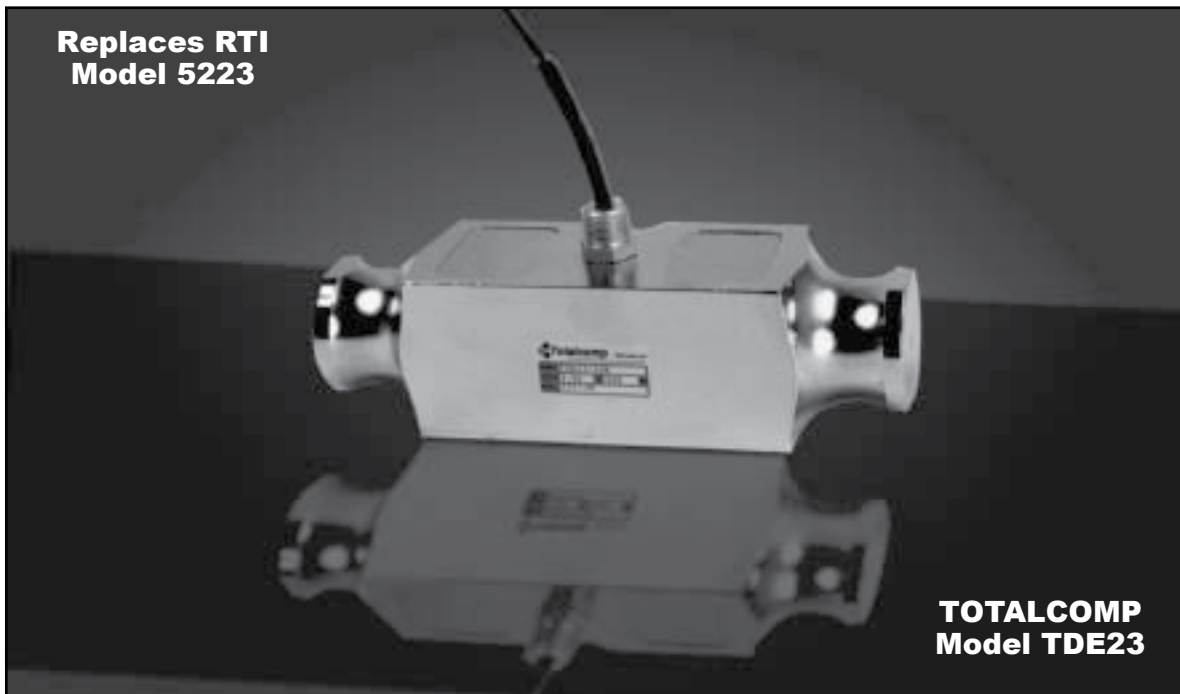


BEAM LOAD CELL

Replaces RTI
Model 5223



TOTALCOMP
Model TDE23

Double Ended Shear Beam Load Cells from Totalcomp.

- ✓ *Washdown safe.*
- ✓ *Low profile design.*
- ✓ *Environmentally Sealed.*
- ✓ *Capacities from 20k to 200k lbs.*
- ✓ *Nickel | Chrome plated high alloy tool steel.*



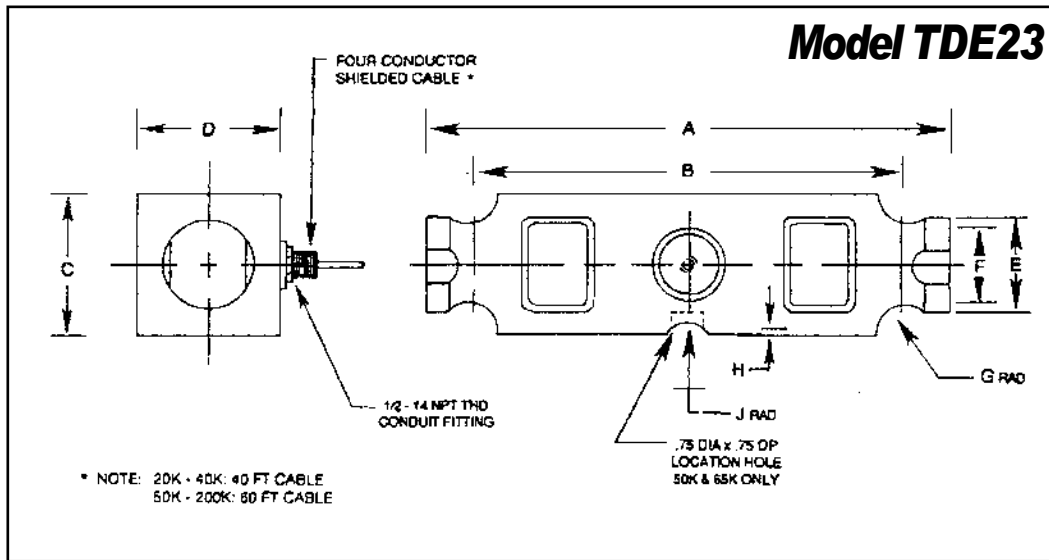
Totalcomp[®] Scales & Components

99 Reagent Lane • Fair Lawn, New Jersey 07410

Fax: 201-797-2287 • Toll Free Fax: 888-797-2288 • Phone: 201-797-2718 • Toll Free Phone: 800-631-0347

Email: sales@totalcomp.com • Website: www.totalcomp.com

SPECIFICATIONS



CAPACITY LBS.	A	B	C	D	E	F	G	H	J
20K - 40K	8.25	7.25	2.44	1.94	2.00	1.63	.50	.25	.50
50K - 150K	10.25	8.50	2.90	2.90	2.40	2.05	1.00	.25	1.00
200K	11.50	10.00	3.40	3.40	2.75	2.35	1.50	.40	1.50

DOUBLE ENDED SHEAR BEAM LOAD CELL

A perfect replacement for the RTI Model 5223.

The Totalcomp TDE23 Series Load cells are ideally suited for the type of environments commonly associated with truck scales. They are built to withstand rigorous use and the high alloy tool steel provides maximum protection from adverse conditions and impact loading. Double waterproof seals and high quality nickel / chrome plating ensure superior corrosion resistance.

Rated Output

3.0 mv/v \pm 1%

Compensated Temperature Range

0° F to +150° F

Temperature Effect on Zero Balance

<0.0011% RO/°F

Temperature Effect on Rated Output

<0.0008% FSO/°F

Recommended Excitation

10 VDC - maximum 15 VDC

Zero Balance

\pm 1.0% FSO

Bridge Resistance

700 \pm 7.0 Ohms In / Out

Side Load Discrimination

500:1

Hysteresis

<0.02% FSO

Non-Repeatability

<0.01% FSO

Non-Linearity

<0.03% FSO

Finish

Electroless Nickel / Chrome plated

Cable Color Code

Red.....+ Excitation

Black.....- Excitation

White.....- Output

Green.....+ Output

COMPRESSION POSITIVE

TOTALCOMP LIMITED WARRANTY

Totalcomp warrants this products to be free of defects in materials and/or workmanship and suitable for the purpose(s) intended as outlined on this sheet. This warranty is effective and shall cover the purchaser for one year from the date of shipment from our plant. If this product is found to be defective by our inspection in accordance with the above listed criteria, we will replace or repair it at our expense. For warranty service, please obtain a return authorization number from us and return the item, shipping prepaid, with a written description of the problem. We will respond promptly with the results of our evaluation.



Totalcomp®

Scales & Components

99 Reagent Lane

Fair Lawn, NJ 07410

Fax (201) 797-2287

oll Free Fax (888) 797-2288

Phone (201) 797-2718

oll Free Phone (800) 631-0347

Email sales@totalcomp.com

Website www.totalcomp.com