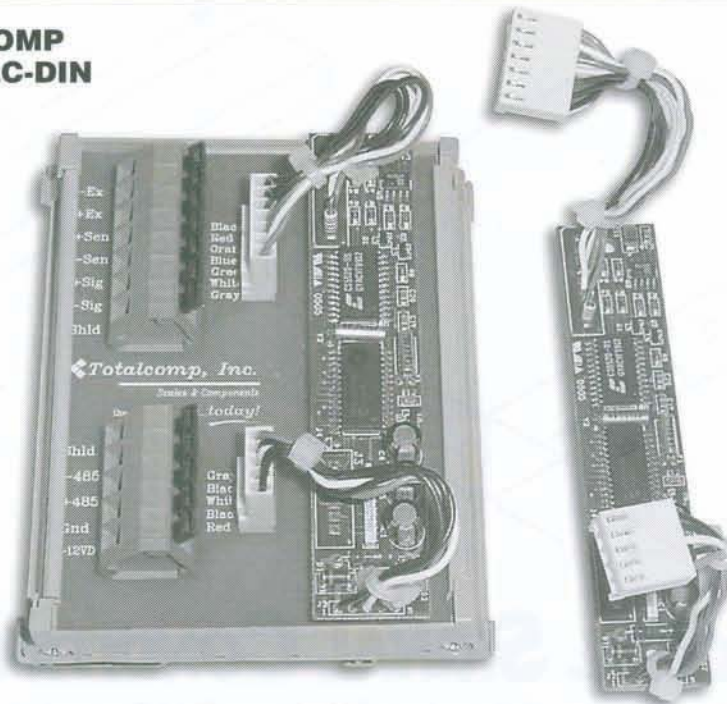


## TOTALCOMP Model TDLC-DIN



## Convert analog load cells into super fast and accurate digital load cells

- ✓ **ALCP with powerful list of commands. Poll load cells in the order of their addresses.**
- ✓ **PC and PLC ready. Monitor cell performance.**
- ✓ **DIN-rail mounting for use in control panels.**
- ✓ **MODBUS selectable.**
- ✓ **Daisy chain multiple units.**
- ✓ **OEM version with A/D processor PCB card and connectors.**
- ✓ **Smart filters with 2-levels for fast response and rock steady readings.**
- ✓ **RS485 2-wire for optimum performance.**



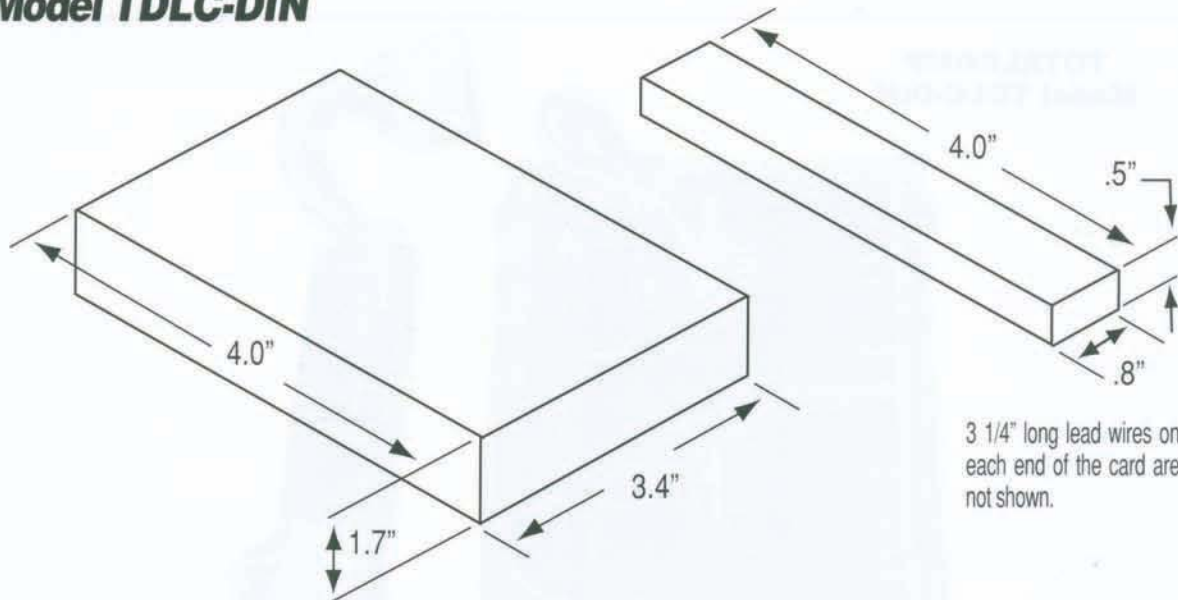
**Totalcomp**<sup>®</sup> Scales & Components

99 Reagent Lane • Fair Lawn, New Jersey 07410

Fax: 201-797-2287 • Toll Free Fax: 888-797-2288 • Phone: 201-797-2718 • Toll Free Phone: 800-631-0347

Email: [sales@totalcomp.com](mailto:sales@totalcomp.com) • Website: [www.totalcomp.com](http://www.totalcomp.com)

## Model TDLC-DIN



## DIGITAL SIGNAL CONDITIONER

Signal conditioner with analog to digital converter. DIN-rail mount. The A/D converter will convert the analog signal to digital using Advanced Load Cell Protocol ALCP. Input terminal blocks are lever type that assure good low voltage connections. Circuit card with components can easily be disconnected from the main printed circuit card for convenient serviceability.

The TDLC-DIN provides a fast RS485 digital output for use with computer and PLC's. Baud rate is selectable, 19,200, 38,400, 57,000 and 115,200. Requires 12VDC power supply.

### Load Cell

5VAC (3) 350 or (6)  
700 ohm load cells

### Analog Input

2 & 3 mv/v load cells

### Power

12 VDC 95ma each load cell

### Conversation

Delta sigma A/D conversation  
Crystal semiconductor 60  
conversations per second

### Output

RS485 0- +/- 400,000  
load cell counts

### Accuracy

0.1% full range

### Display

Keys-none  
Annunciators-none

### TOTALCOMP LIMITED WARRANTY

Totalcomp warrants this product to be free of defects in materials and/or workmanship and suitable for the purpose(s) intended as outlined on this sheet. This warranty is effective and shall cover the purchaser for one year from the date of shipment from our plant. If this product is found to be defective by our inspection in accordance with the above listed criteria, we will replace or repair it at our expense. For warranty service, please obtain a return authorization number from us and return the item, shipping prepaid, with a written description of the problem. We will respond promptly with the results of our evaluation.

 **Totalcomp**<sup>®</sup>  
**Scales & Components**

**99 Reagent Lane**  
**Fair Lawn, NJ 07410**  
**Fax (201) 797-2287**  
**Toll Free Fax (888) 797-2288**  
**Phone (201) 797-2718**  
**Toll Free Phone (800) 631-0347**  
**Email sales@totalcomp.com**  
**Website www.totalcomp.com**