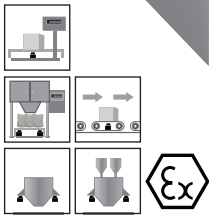
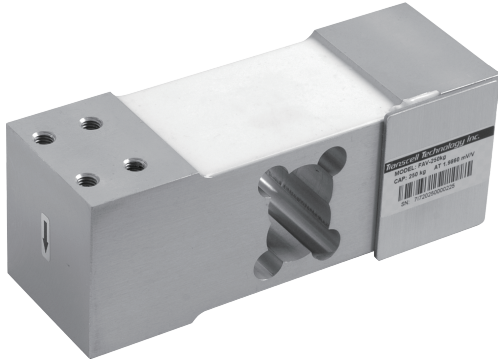
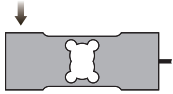


Single Point



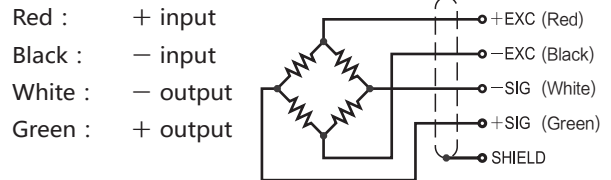
Capacities

60kg, 100kg, 150kg, 200kg, 250kg, 300kg, 500kg

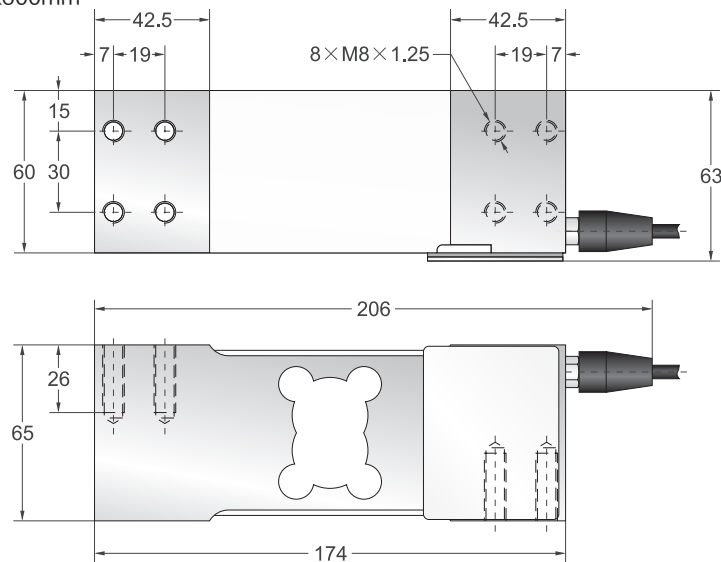
Features

- Single point load cell
- Aluminum construction
- High accuracy
- High stability
- Easy to install
- Suitable for belt scales, package systems, small hopper scales, bench scales, etc.

Schematic



Maximum platform : 500X600mm



Specifications			
Rated Output	2.0mV/V±10%	Safe Temp. Range	-10°C to + 70°C
Zero Balance	±3% of rated output	Temp. Compensated	-10°C to + 40°C
Creep after 30 minutes	±0.03% of rated output	Safe Overload	150%
Nonlinearity	±0.03% of rated output	Input Impedance	410 ohm ± 20 ohm
Hysteresis	±0.03% of rated output	Output Impedance	350 ohm ± 5 ohm
Repeatability	±0.03% of rated output	Insulation Resistance	≥5000 M ohm (50V DC)
Temp. effect on output	≤0.002% of applied output/°C	Rated Excitation	10V DC/AC
Temp. effect on zero	≤0.002% of rated output/°C	Maximum Excitation	15V DC/AC
Wire Length	6m	Wire Material	Red(+E) Black(-E) White(-S) Green(+S)