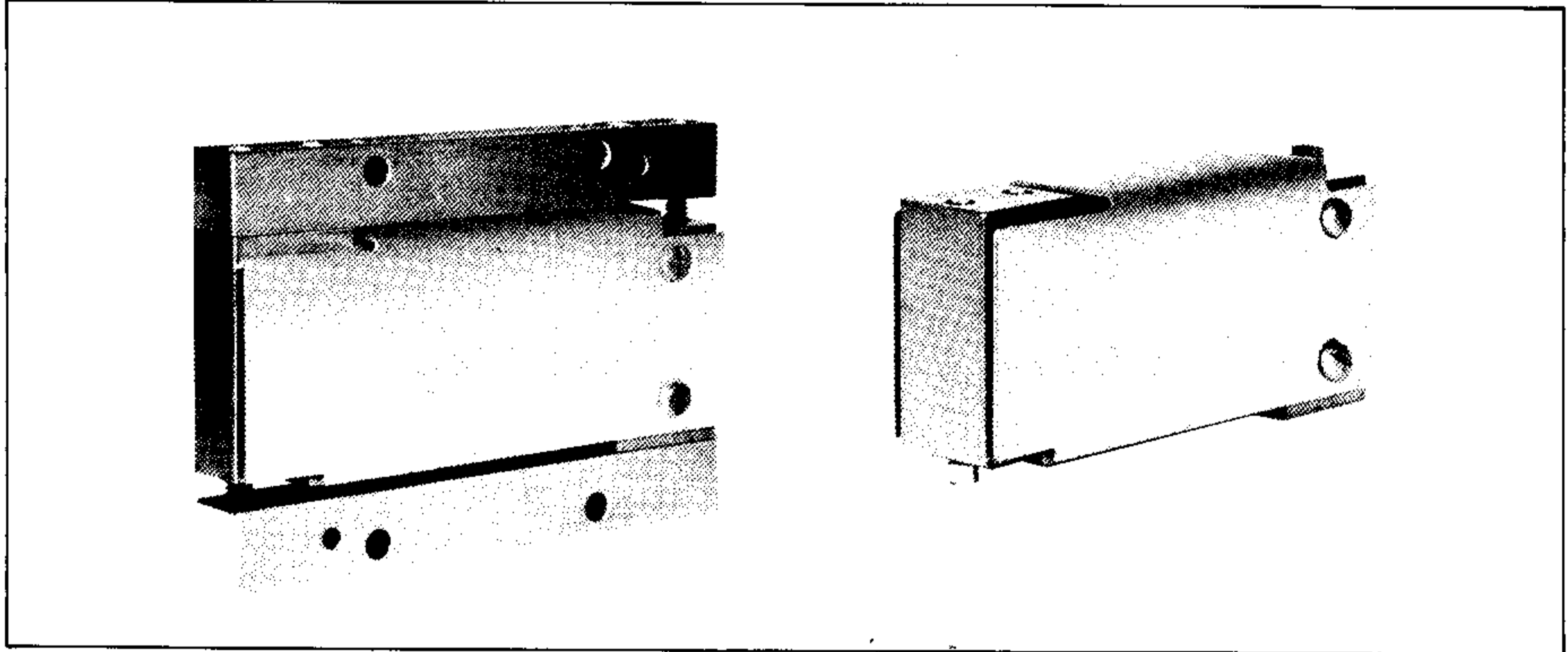




## PLATFORM LOAD CELL 0-2 to 0-200 lbs



- EXCELLENT LINEARITY, HYSTERESIS, CREEP
- HIGH SHOCK LOAD CAPABILITY
- DUAL INTEGRAL OVERLOAD STOPS
- LOW PROFILE
- INTEGRAL MOUNTING BOSSES
- LOW ECCENTRIC LOAD SENSITIVITY
- MEETS REQUIREMENTS OF NEW H-44 CODE

The PLC triple beam platform load cell is ideal for precision weight and force measurement in commercial, postal, counting and check weighing applications. Unique, integral dual overload stops provide high tolerance to shock loads, off-center loading and repeated overloads. The PLC attaches directly to the upper and lower scale structures, simplifying assembly and lowering manufacturing costs. Optional foldback arms allow the user to take full advantage of the dual overload stops without having to make modifications to their scale structure.

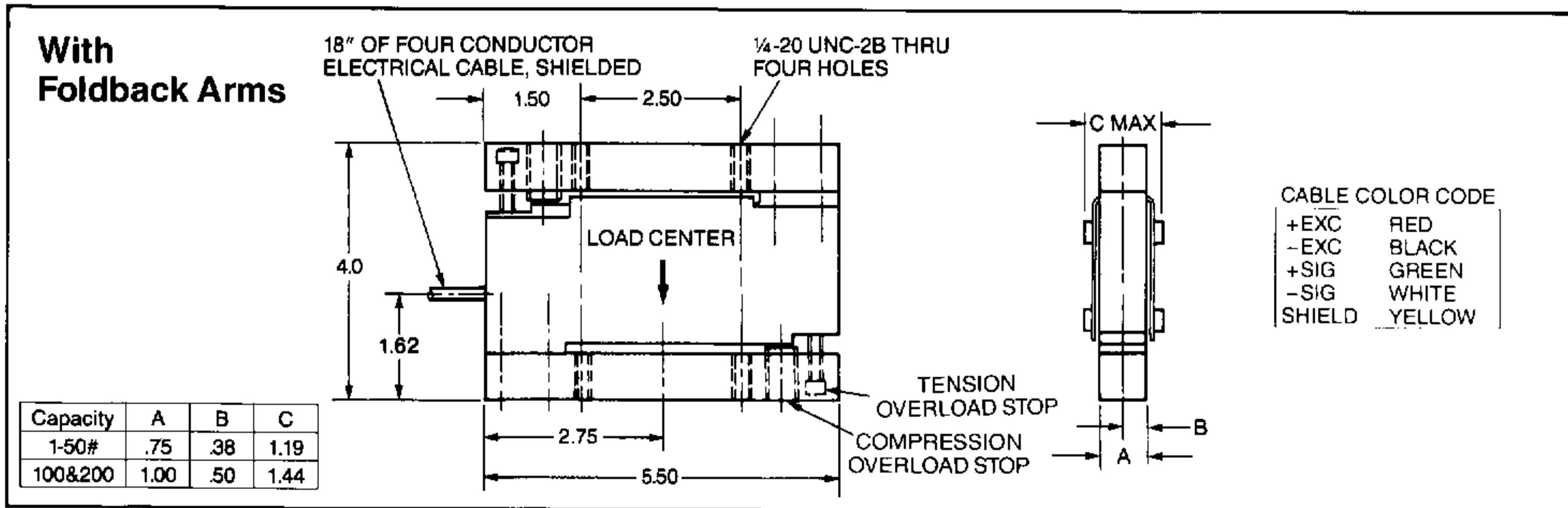
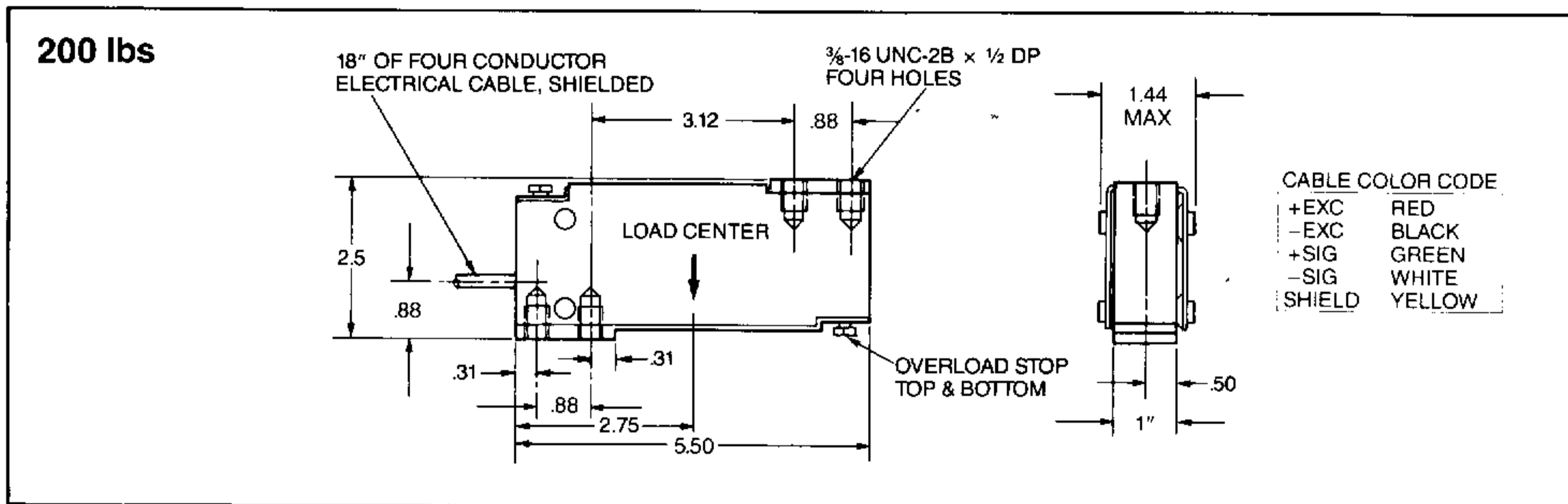
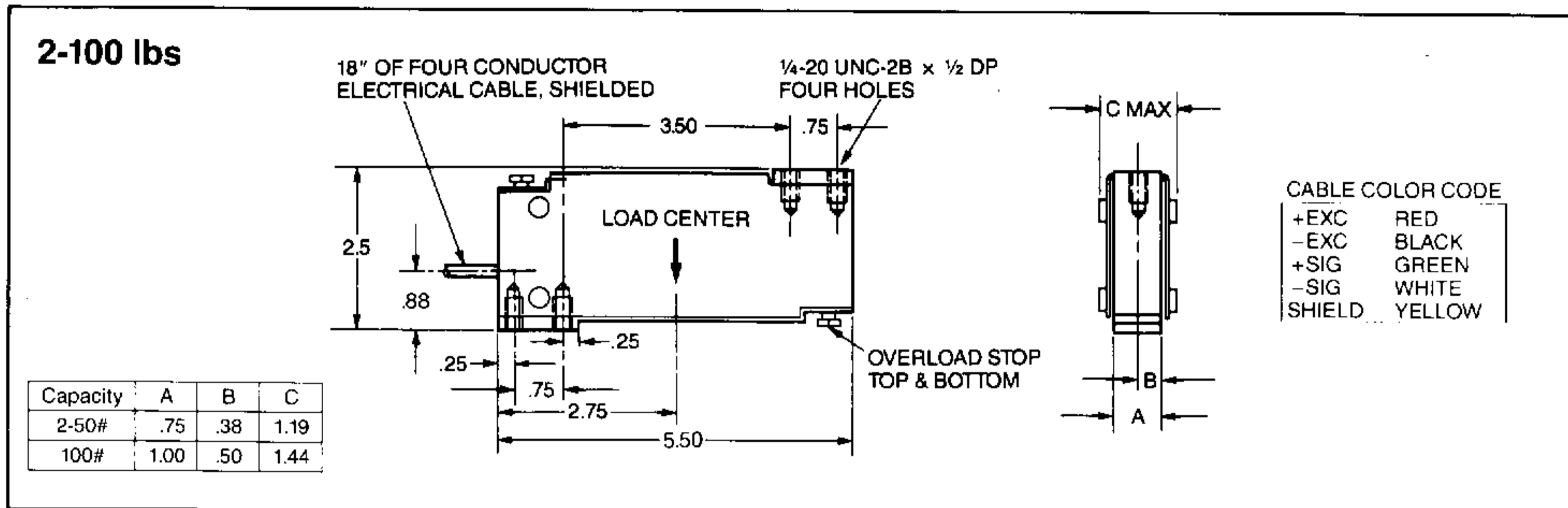
	2	5	10	20	50	100	200
Rated Capacity (lbs)							
Rated Output (mV/V)	2.0 ± 0.4			2.2 ± 0.2			
Nonlinearity (%)				0.02			
Hysteresis (%)				0.02			
Nonrepeatability (%)				0.01			
Creep in 20 min. (%)				0.03			
Zero Balance (%)				5.0			
Compensated Temp. Range (°F/°C)			+15 to +115/-10 to +45				
Temp. Effect: Output (% of load/100F)				0.08			
Zero Balance (%/100F)				0.15			
Terminal Resistance: Input (ohms min.)				400			
Output (ohms)				350 ± 3			
Excitation Voltage: Maximum VDC or VAC rms				15			
Insulation Resistance (megohms min.)				5000 at 50 VDC			
Max. Load*, Safe (%) (overload stops adjusted)				150			
Max. Load*, Ultimate without overload stops engaged (%)				300			
Max. Load*, Ultimate with overload stops engaged (%)				1000			
Eccentric Load Sensitivity,** 50% Cap. (%/in.)	0.008	0.008	0.008	0.007	0.006	0.005	0.010
Max. Moment, Operating (lb. in.)	6	15	30	60	150	375	750
Max. Moment, Safe (lb. in.)	12	30	60	120	300	750	1500
Deflection at Rated Load (inches)	0.016	0.021	0.018	0.012	0.008	0.009	0.005
Weight (lbs)			0.9				1.2

Percentages relative to rated output, except as noted. \*With load centered.  
\*\*Percent of reading.

REQUEST CERTIFIED DRAWINGS BEFORE DESIGNING MOUNTINGS OR FIXTURES—DIMENSIONS AND SPECIFICATIONS ARE SUBJECT TO CHANGE WITHOUT NOTICE.

# PLC PLATFORM LOAD CELL 0-2 to 0-200 lbs

## DIMENSIONS



**HOTTINGER BALDWIN MEASUREMENTS, INC.**

P.O. Box 1500

Framingham, MA 01701

Phone: (617) 875-8282 Telex: 681-7140

REQUEST CERTIFIED DRAWINGS BEFORE DESIGNING MOUNTINGS OR FIXTURES—  
DIMENSIONS AND SPECIFICATIONS ARE SUBJECT TO CHANGE WITHOUT NOTICE