

CBBF

Beam Foot



Captured Ball Bearing beam foot for single ended beam load cells

- *Stainless steel or Plated alloy steel*
- *Ball bearing for expansion*
- *Optional rubber caps*
- *10 degrees of pivoting
360 degrees rotation*



Totalcomp Scales & Components

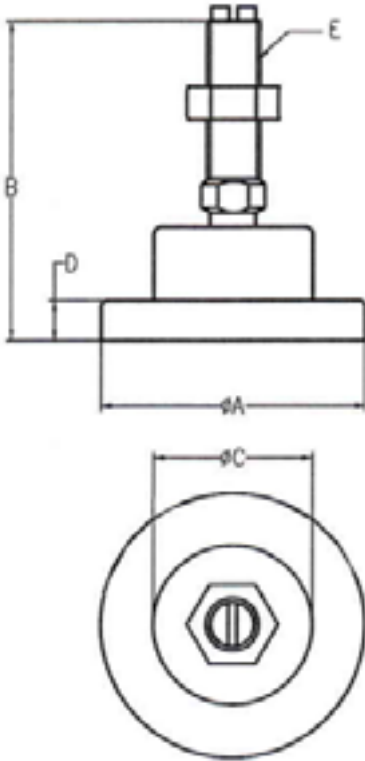
13-01 Pollitt Drive Ext, Fair Lawn NJ 07410
Phone 201-797-2718 Fax 201-797-2287

email: sales@totalcomp.com

Specifications

CBBF

Totalcomp Captured Ball Bearing Foot (CBBF) is a beam foot for use with single ended beam load cells. Manufactured for use in harsh environments. These beam feet are designed to survive the harsh cleaning requirements of the food and chemical industries.



Item	A dia	B	C	D	E
CBBF-1/2-20x1-7/8	1-7/8"	3.00	1.50	0.38	1/2-20
CBBF-1/2-20x2	2.0"	3.00	1.50	0.38	1/2-20
CBBF-1/2-20x2-1/2	2.5"	3.00	1.50	0.38	1/2-20
CBBF-1/2-20x3	3.0"	3.50	1.50	0.38	1/2-20
CBBF-3/4-16x3	3.0"	4.25	1.75	0.50	3/4-16
CBBF-1-14x3	3.0"	4.25	1.75	0.50	1-14

Part Number	Min Ht	Max Ht	Pad	Weight	SKU
Stainless steel					
CBBF-1/2-20x1-7/8-SS	1-3/4"	3"	1-7/8" dia	0.63 lb	4864
CBBF-1/2-20x2-SS	1-3/4"	3"	2" dia	0.65 lb	4865
CBBF-1/2-20x2-1/2-SS	1-3/4"	3"	2-1/2" dia	0.96 lb	4866
CBBF-1/2-20x3-SS	1-3/4"	3"	3" dia	0.99 lb	4020
CBBF-3/4-16x3-SS	2-1/2"	4-1/4"	3" dia	1.87 lb	4021
CBBF-1-14x3-SS	2-1/2"	4-1/4"	3" dia	1.92 lb	4022
CBBF-1-12x3-SS	2-1/2"	4-1/4"	3" dia	2.12 lb	4023
Alloy steel					
CBBF-1/2-20x1-7/8-AS	1-3/4"	3"	1-7/8" dia	0.62 lb	4867
CBBF-1/2-20x2-AS	1-3/4"	3"	2" dia	0.64 lb	4868
CBBF-1/2-20x2-1/2-AS	1-3/4"	3"	2-1/2" dia	0.95 lb	4869
CBBF-1/2-20x3-AS	1-3/4"	3"	3" dia	0.98 lb	4870
CBBF-3/4-16x3-AS	2-1/2"	4-1/4"	3" dia	1.86 lb	4871
CBBF-1-14x3-AS	2-1/2"	4-1/4"	3" dia	1.91 lb	4872
CBBF-1-12x3-AS	2-1/2"	4-1/4"	3" dia	2.11 lb	4873
Rubber cap for harsh or wet environments					
Rubber cap for 1/2-20x1-7/8" & 2" dia				0.62 lb	4874
Rubber cap for 1/2-20x2-1/2" & 3" dia				0.62 lb	4875
Rubber cap for 3/4-16x3" dia				0.62 lb	4876

Totalcomp Limited Warranty

Totalcomp warrants this product to be free of defects in materials and/or workmanship and suitable for the purpose intended as outlined in this sheet. This warranty is effective and shall cover the purchaser for one year from the date of shipment from our plant. If this product is found to be defective by our inspection in accordance with the above listed criteria, we will replace or repair it at our expense. For warranty service, please obtain a return authorization number from us and return the item, shipping prepaid, with a written description of the problem. We will respond promptly with the results of our evaluation.



Totalcomp Scales & Components

13-01 Pollitt Drive Ext, Fair Lawn NJ 07410

Phone 201-797-2718 Fax 201-797-2287

email: sales@totalcomp.com